

ATTACH CANOPY WITH RC-56

RUN GRAIN VERTICAL ON ALL FORMERS

1/16 PLYWOOD SERVO SHELF 3 GM

FOAM

BLUE FOAM SHELF

WHITE NYLON PACKING BAND FULL LENGTH

Balsa NOSE GRAIN AXIAL

Bell Aircraft

2" SPACING

SCORE FOR WING. CUT THRU AFTER STRINGERS ARE IN PLACE

ALL RC COMPONENTS SHOULD JUST FIT BETWEEN STRINGERS

25° SWEEP BACK

1/16 x 1/4
1/16 x 1/8
1/16 SHT. ALL FORMERS

1/4 SHT. Balsa RING

WHITE FORMEX FILM TRIM

9% 2° INCIDENCE

132 GM
6x600MAH

JACK

18 AWG

1/16 x 1/8 LAMINATE

FOAM BOX

BAL. POINT

1 1/2" (5.3") DIHEDRAL

CARDBOARD 2.5" DUCT TUBE P091 42.1 GM TOTAL

PIPE LENGTH 23"

PAINT WHITE

ANTENNA

RECIEVER 15 GM

SERVO 10.3 GM

16 GM RECIEVER CELLS

4 50

2 3/8 SPACING

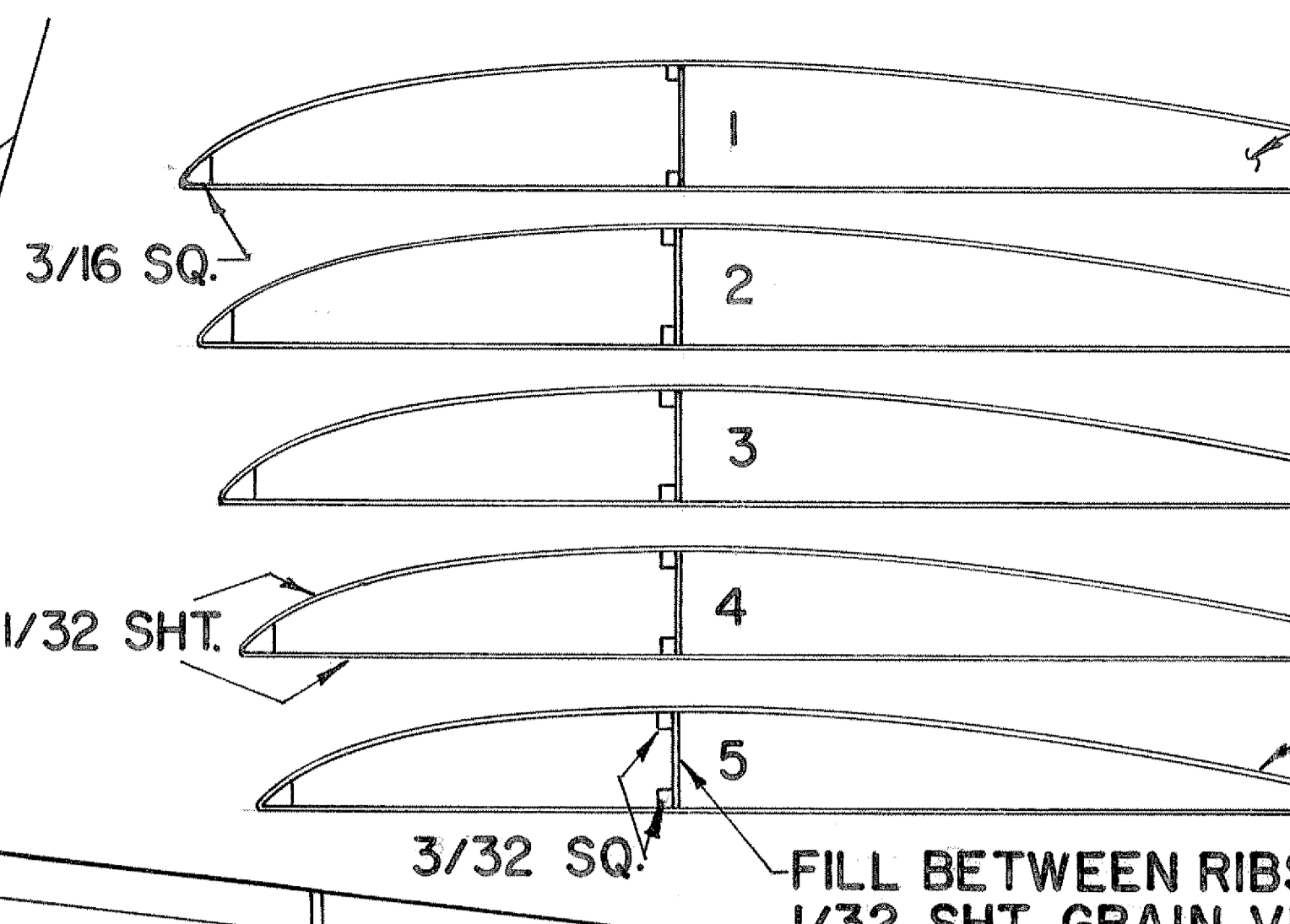
SIG DCM-501 STICKERS

16 OZ. STYRENE DIXIE CUP 2 1/4 EXIT DIA.

CUT OUT BOTTOM LAST TO MAINTAIN ROUNDNESS

RED FLAME BLASTER 93.7 GM

12.4 GM



3/16 SQ. 1/16 SHT. RIBS

1/32 SHT. 1/32 x 3/16 CAP STRIPS

3/32 SQ. FILL BETWEEN RIBS WITH 1/32 SHT. GRAIN VERTICAL

ARMING SWITCH FOR FAN

SWITCH & CHARGE JACK FOR RECIEVER

PINK FOAM FILL

1/32 SHT. CENTER SECTION

TOTAL WEIGHT OF ALL BULKHEADS 19 GMS

WING WEIGHT: FRAME: 41 GM

3/16 SQ.

1/8 SHT.

3/16 SQ.

1/8 SHT.

3/16 SHT.

3/16 SHT.

3/16 SHT.

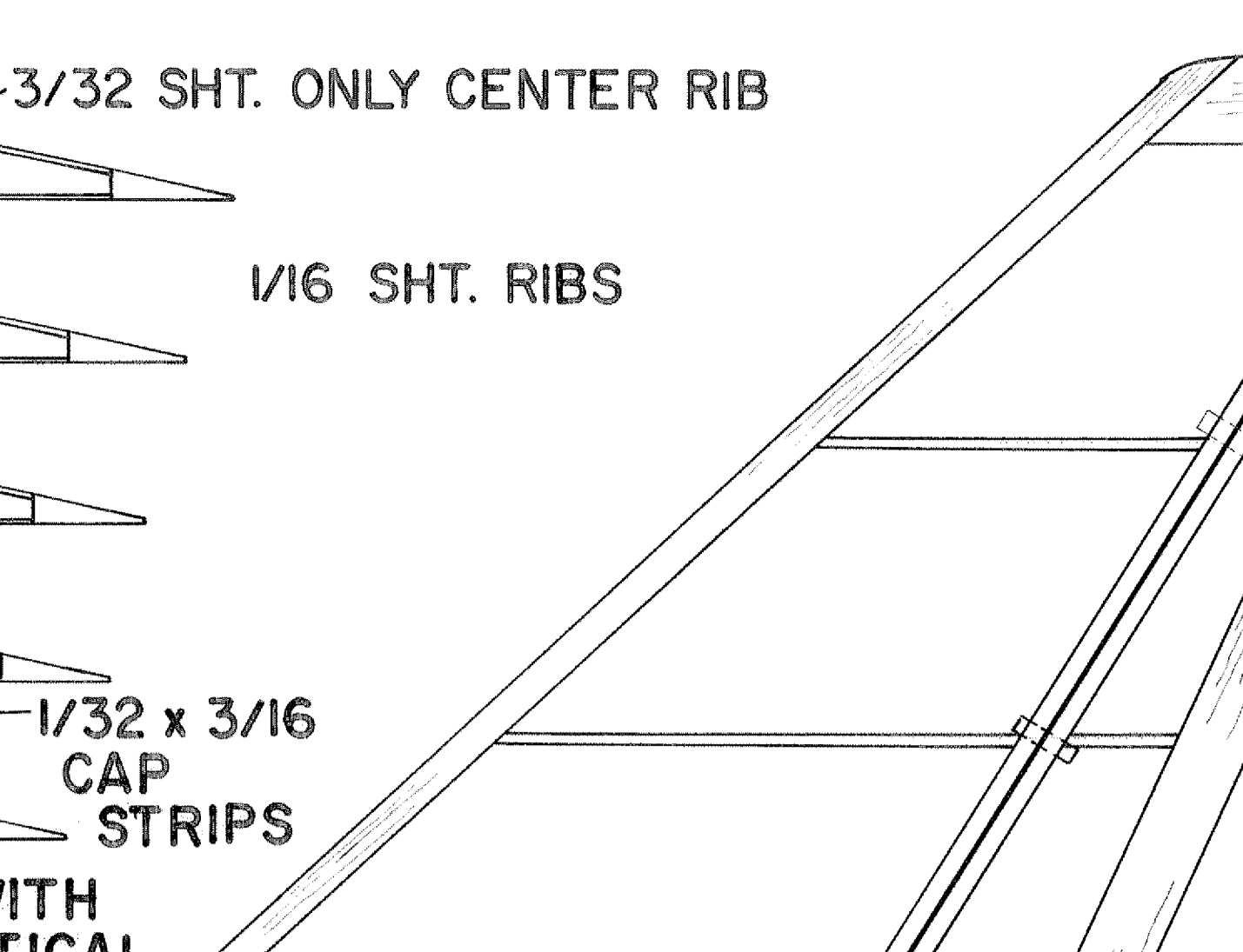
3/16 SHT.

3/32 SHT. .8 GM

FILL PLANK AROUND ELEVATOR & WING WITH 1/16 SHT.

0.16 ALUM. HORNS

± 1/4" TRAVEL



3/32 SHT. ONLY CENTER RIB

1/16 SHT. RIBS

1/16 SHT. RIBS

SOLDER ELEVATOR YOKE FROM .031 MUSIC WIRE USING GOLD-N-ROD ENDS. SULLIVAN #507.

STAB WEIGHTS: FRAME: 4.5 GM COVERED: 8.8 GM

GREAT PLANES GPMQ3950 HINGES. CUT TO 1/8" WIDE

1/8 SHT.

3/16 SQ.

1/8 SHT.

3/16 SQ.

1/8 SHT.

3/16 SQ.

1/8 SHT.

3/16 SQ.

1/8 SHT.

3/16 SQ.

1/8 SHT.

3/16 SQ.

1/8 SHT.

3/16 SQ.

1/8 SHT.

This free plan courtesy of the Rees Family

ORTHODONTIC RUBBER BAND TENSIONER

RUDDER WEIGHTS: FRAME: .8 GM COVERED: 3.2 GM

3/16 SQ.

1/8 SHT.

US AIR FORCE 01838

3/16 SHT.

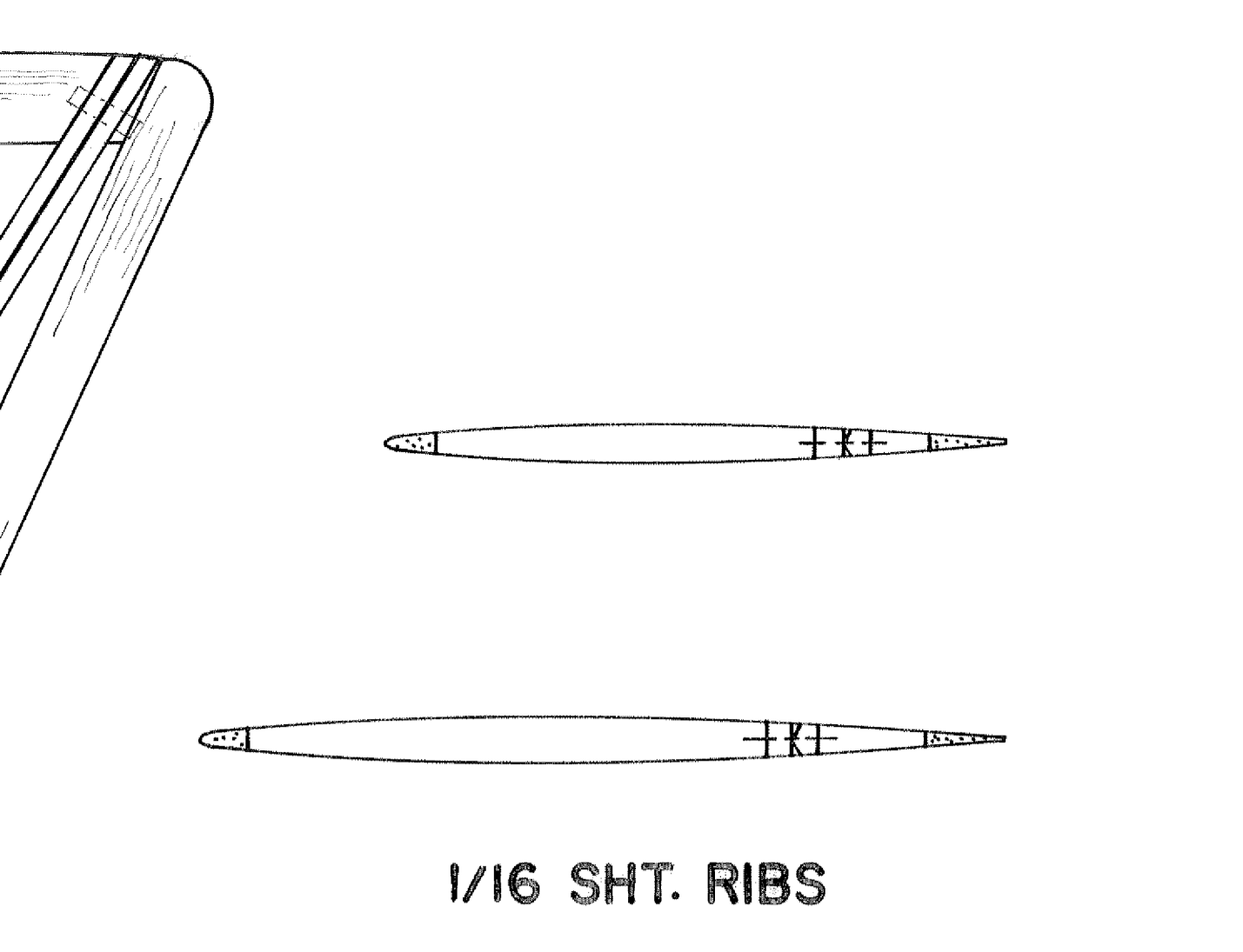
3/16 SHT.

3/16 SHT.

3/16 SHT.

3/16 SHT.

3/16 SHT.



1/16 SHT. RIBS

1/16 SHT. RIBS

1/16 SHT. RIBS

1/16 SHT. RIBS

1/16 SHT. RIBS

1/16 SHT. RIBS

1/16 SHT. RIBS

1/16 SHT. RIBS

1/16 SHT. RIBS

1/16 SHT. RIBS

1/16 SHT. RIBS

1/16 SHT. RIBS

1/16 SHT. RIBS

1/16 SHT. RIBS

1/16 SHT. RIBS

1/16 SHT. RIBS

1/16 SHT. RIBS

1/16 SHT. RIBS

1/16 SHT. RIBS

1/16 SHT. RIBS

1/16 SHT. RIBS

1951 BELL X-5
ELECTRIC FAN JET FOR RC OR FF
BY DAVE REES NOV 97