

G-AEEGG

WING LETTERS YELLOW

FUSELAGE LETTERS SILVER

G-AEEGG

HOT BENT BAMBOO 1/20 SQ.

GROOVE UNDERSIDE FOR BAMBOO
1/8 SQ.

CYA.

1/8 SHT

FRONT SPAR

REAR SPAR

1/16 SHT

BOTTOM

1/8 WIDE x 5/32

1/32 DIHEDRAL PATCHES

1/8 x 1/16

.010 x 1/8 WIDE ALUM. HIN GES.
SOFT 3/16 SHT.

1/20 SQ. BAMBOO

STAB WEIGHT:
2 GM FRAME
3 GM COVERED

1/16 SHT. RIBS

CROSS SECTION AT D-D

HIGH STRENGTH MAGNETS RETAIN LANDING GEAR STREAMLINING.

TOP VIEW

3/32 SQ.

1/16 x 3/16

TORSION BAR

WING WEIGHT:
8 GMS FRAME
10 GMS COVERED
LESS GEAR

FILL PLANK WITH 1/16 US.

1/16 DIA. REED. DRILL RIBS & CYA.

3/32 x 3/16

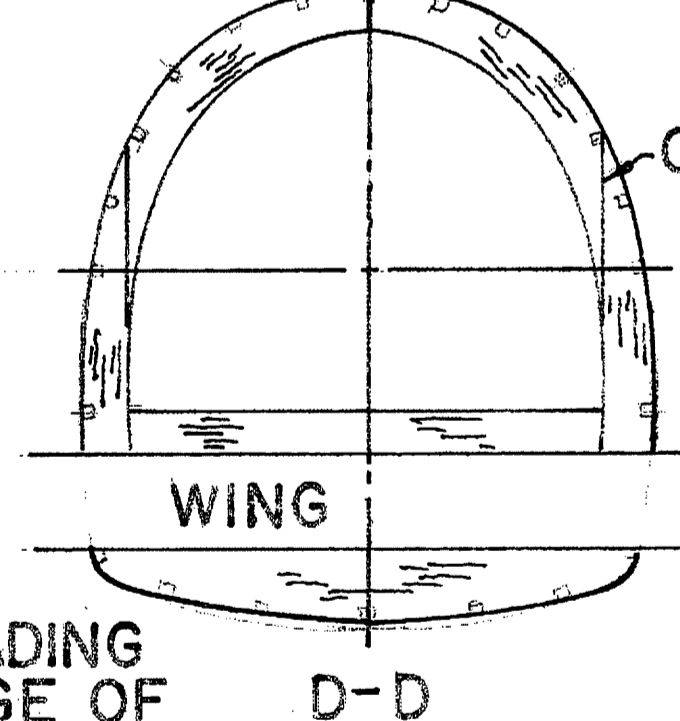
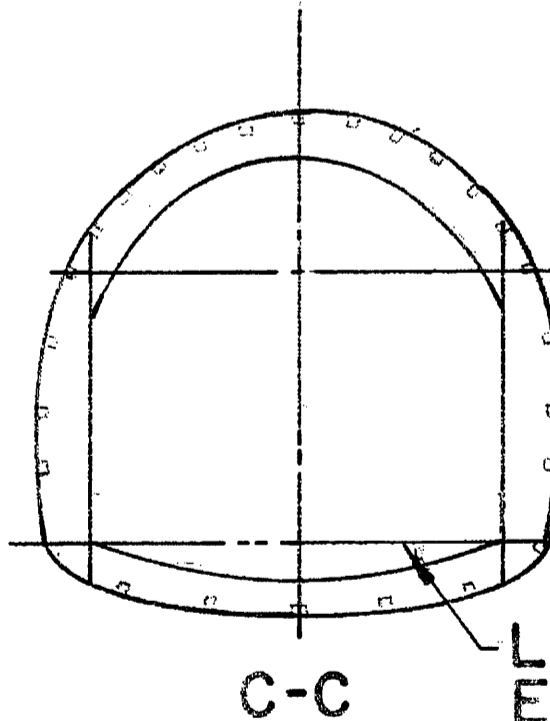
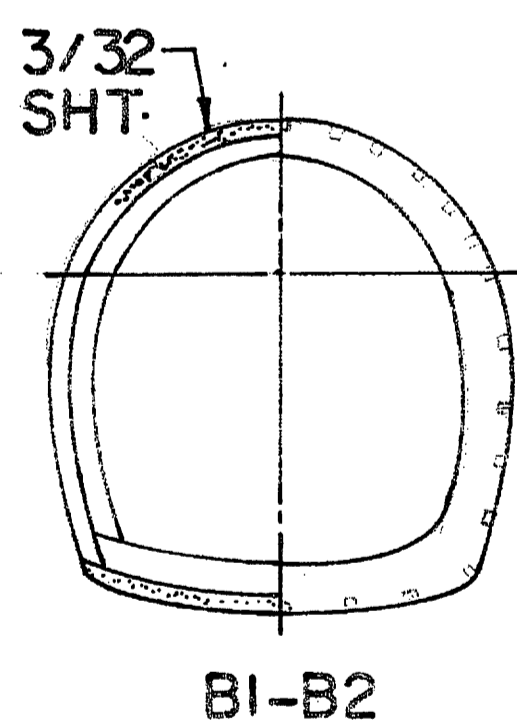
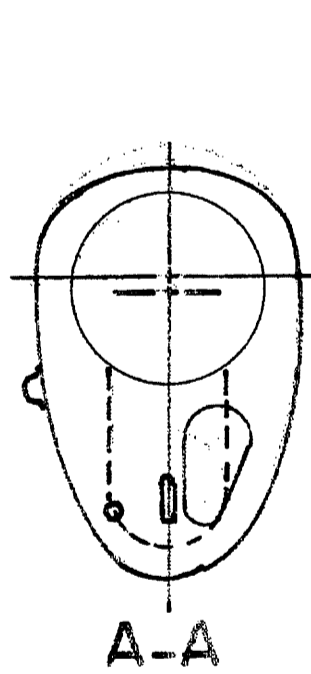
This free plan courtesy of the Rees Family and Walt Farrell

WHEEL TROUSER PATTERN

BUILD UP BULKHEADS & ASSEMBLE USING HALF SHELL METHOD.

22 STRINGERS 1/16 SQ.

NOTE GRAIN DIRECTION TYPICAL



A-A

B1-B2

C-C

D-D

PECK POLYMERS SILVER PROP 6.0 GMS

FORMED CANOPY
CARD STOCK COWL

.015 THK. ACETATE HATCH. USE RAM FORM METHOD W/ YELLOW TRIM TAPE.

FLAT BLK.

SIL.

3/32 HEAT SHRINK TUBE MW. 1/64 PLYWOOD

.045

ROOT RIBS

BOX BOTH SIDES OF SPAR W/ 1/32 THK. PLYWOOD. WRAP W/ GLASS & CYA.

13/4 x 3/8 W.

WING

E-E 1/16 BULKHEADS

F-F

WING

G-G

H-H

I-I

J-J

K-K

1/20 BAMBOO, HOT BENT. RIBS 1/32 SHT.

FIN & RUDDER WEIGHT:
1 GM FRAME
2 GM COVERED

1/8 SHT.

BALSA WHEEL 1 GM

MOLDED PAPER FILLETS

1936 MILES M3A "FALCON"
AS OWNED BY EDWARD EVES
FOR FAC SCALE EVENTS MAR 07
BY DAVE REES & WALT FARRELL