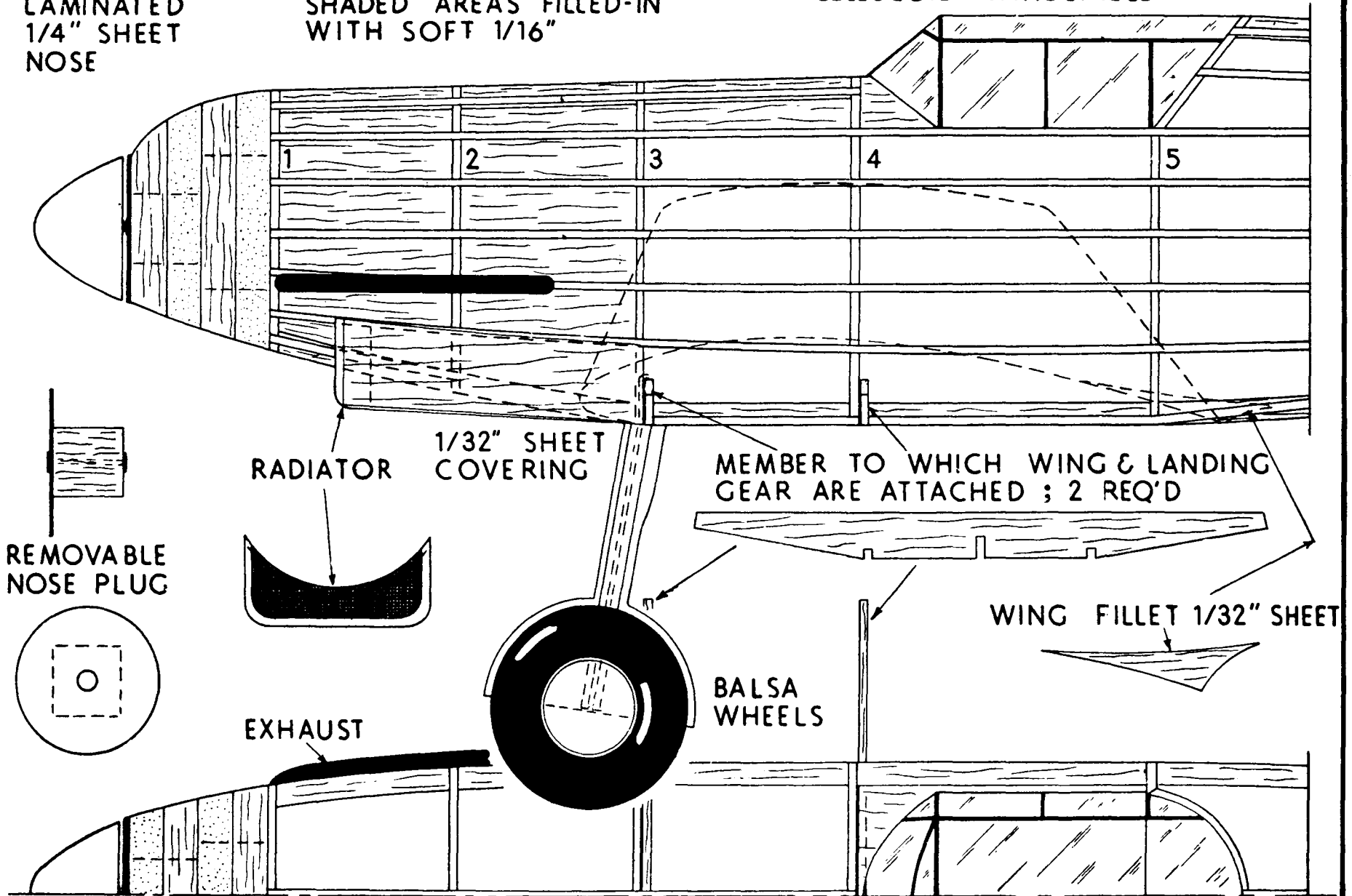


LAMINATED  
1/4" SHEET  
NOSE

SHADED AREAS "FILLED-IN"  
WITH SOFT 1/16"

CELLULOID WINDSHIELD



AUXILIARY STRINGERS NOT SHOWN

TOP & BOTTOM  
KEELS FROM 1/16" SHEET

STABILIZER  
POSITION

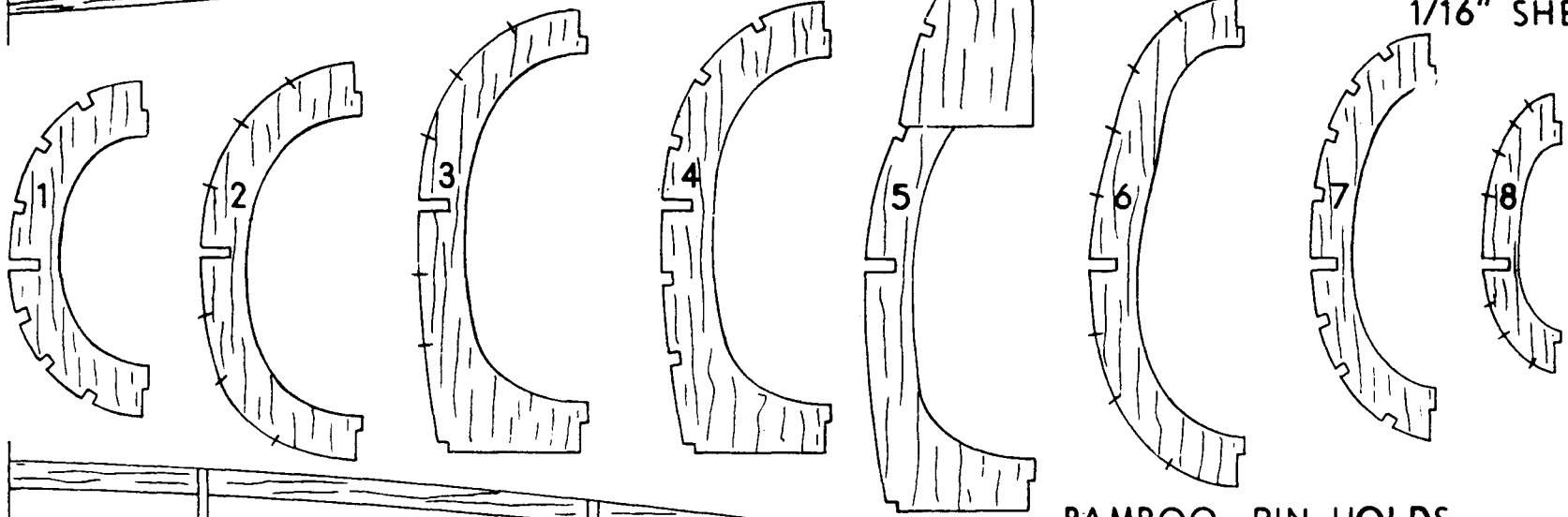
6

7

8

STRINGERS 1/16" SQ.

ALL BULKHEADS  
CUT FROM  
1/16" SHEET



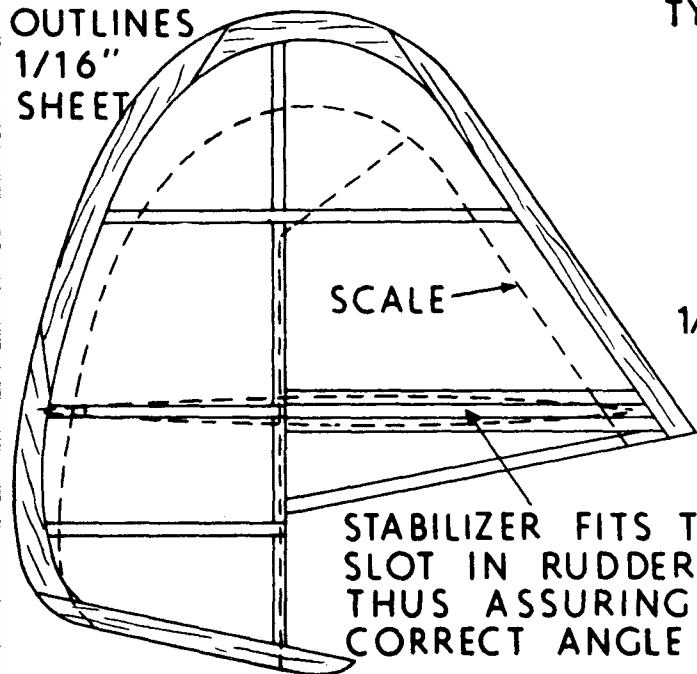
BAMBOO PIN HOLDS  
RUBBER MOTOR

STRINGERS OMITTED TO SHOW SIDE KEEL

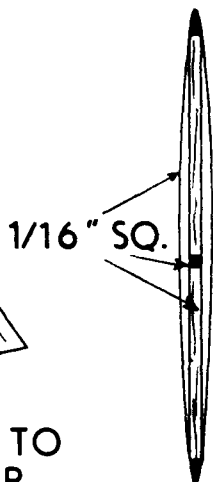
O34 PROP SHAFT



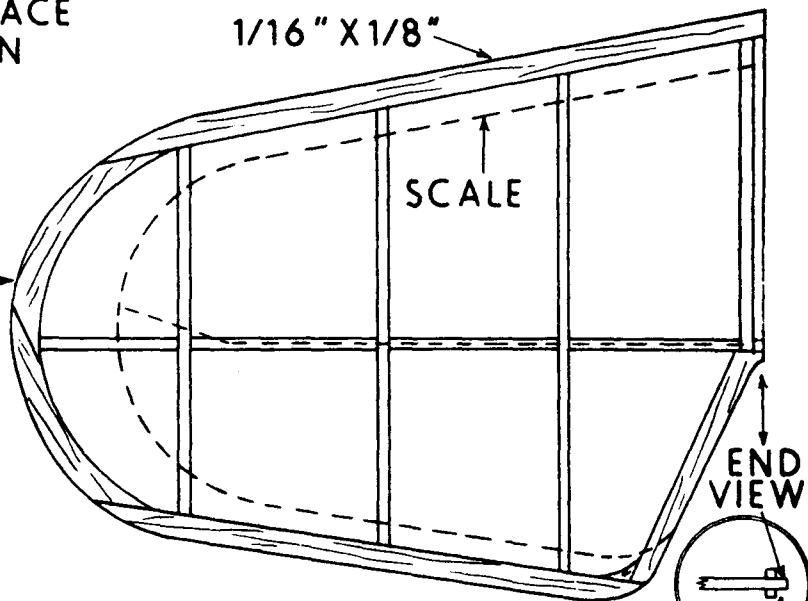
OUTLINES  
1/16" SHEET



TYPICAL TAIL SURFACE  
CONSTRUCTION



1/16" SHEET

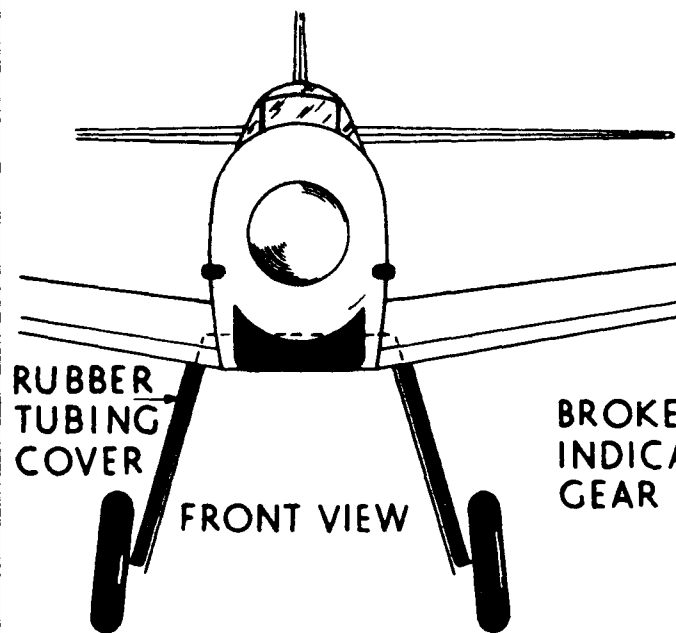


STABILIZER MADE  
IN TWO PARTS

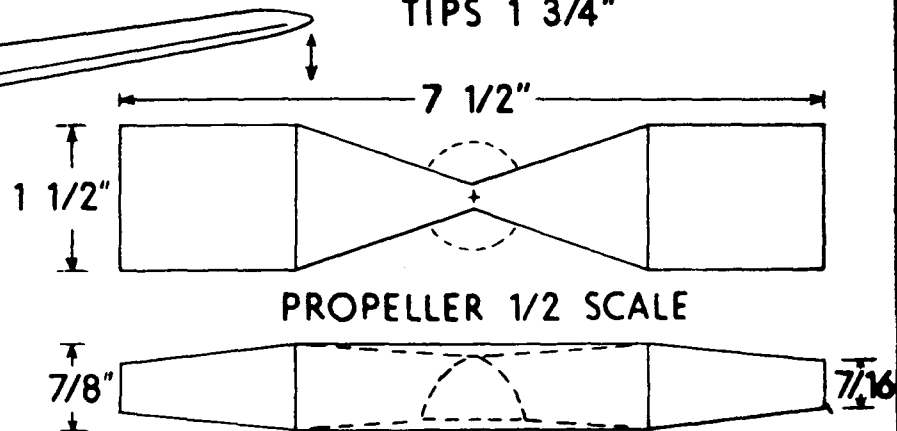
FITS TO  
RUDDER

MESSERSCHMITT Me109  
BY  
EARL STAHL

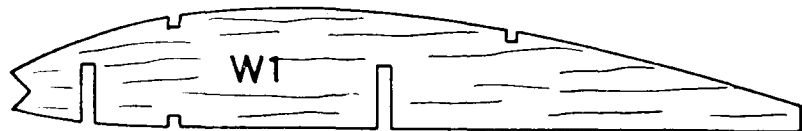
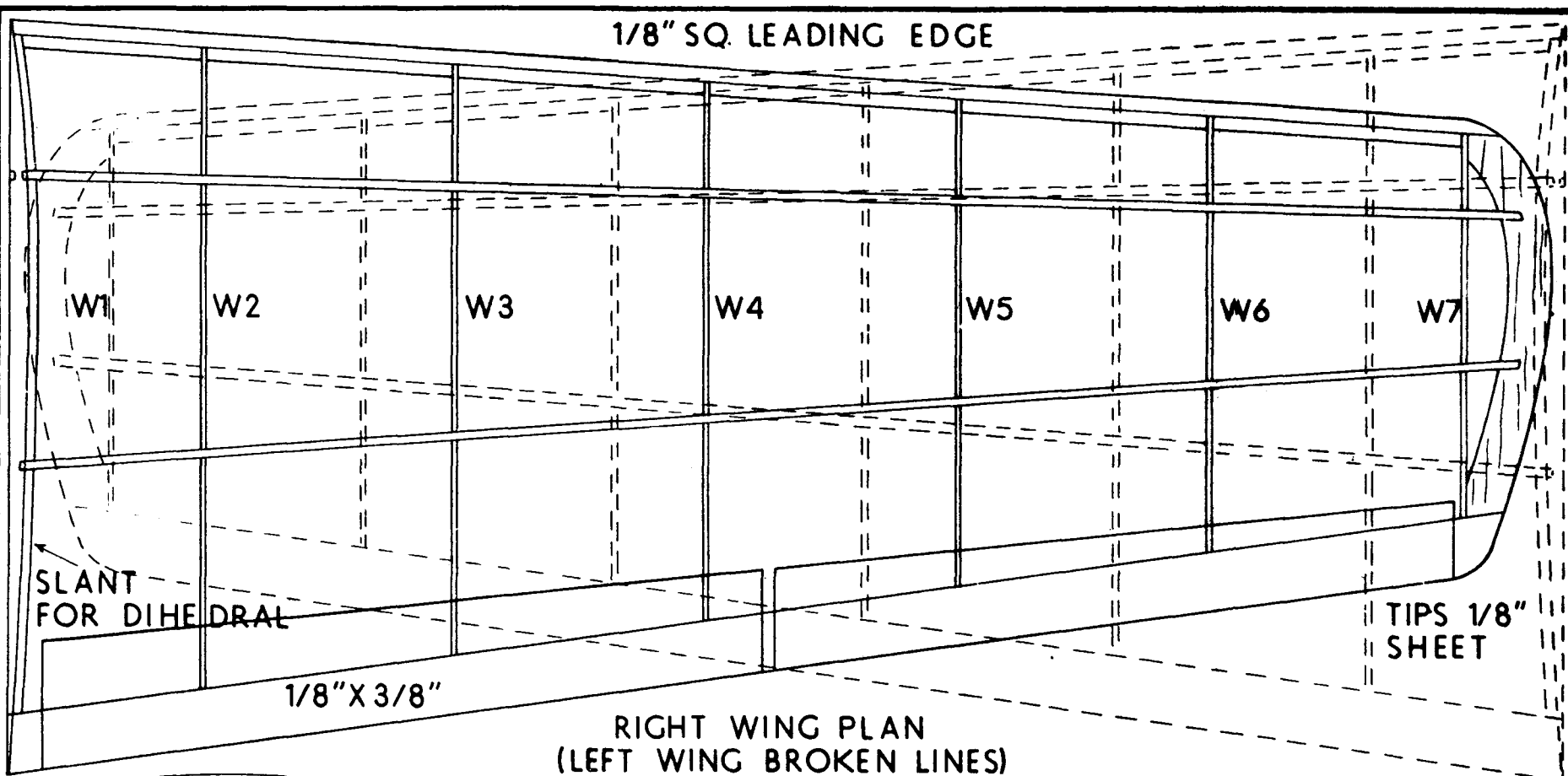
DIHEDRAL AT  
TIPS 1 3/4"



BROKEN LINES  
INDICATE LANDING  
GEAR WIRE



1/8" SQ. LEADING EDGE



RIB W1 1/16" SHEET  
OTHERS 1/32" SHEET  
2 OF EACH REQ'D

SPARS 1/16" SQ.

