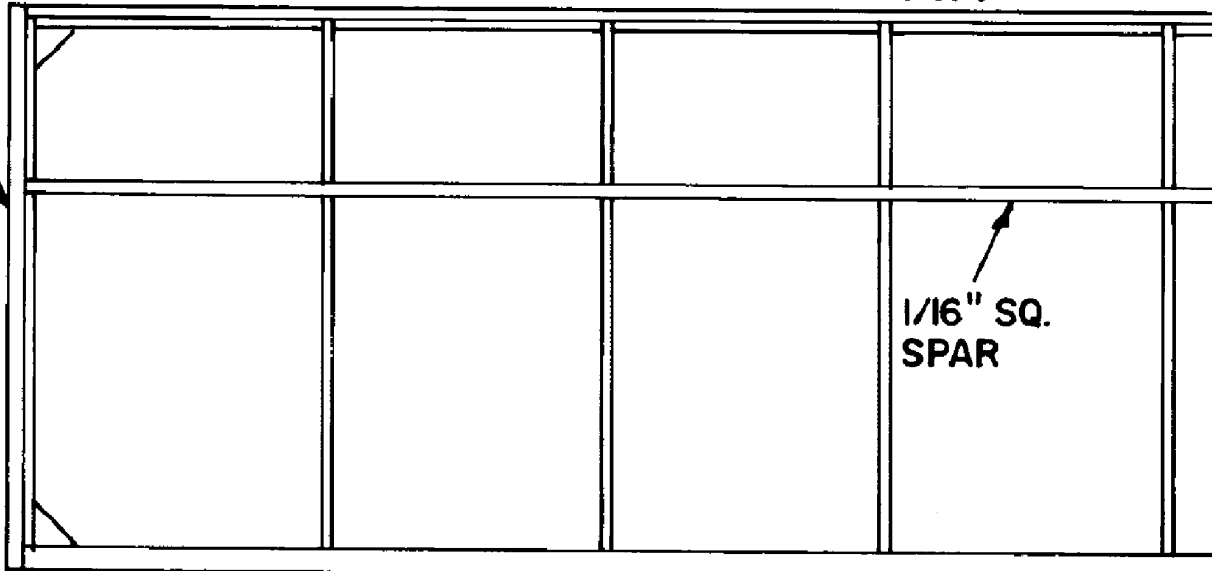


3/32" END CAP

WING PLAN



1/16" SQ. SPAR

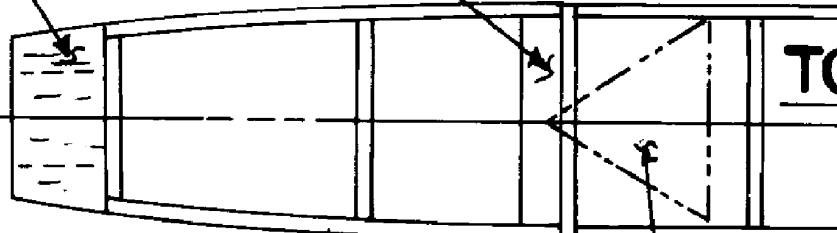
1/16" x 1/8" TRAILING EDGE

1/2" Balsa

L.G. MOUNT

1/64" PLY 7/8" DIA.

1/2" DIA. Balsa
1/16" BRASS TUBE



1/32" SHEET

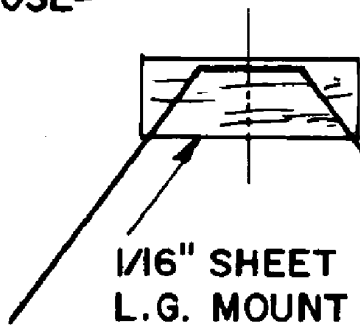
WINDSHIELD

6" 1 GRA PROP & SPINNER

1/2" Balsa NOSE

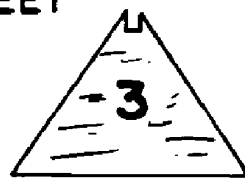
1/16" SHEET

1/16" SHEET



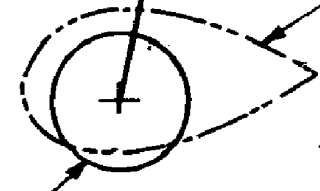
L.G. DETAIL

.025" DIA. WIRE, BIND & GLUE TO L.G. MOUNT



WING RIB PATTERN

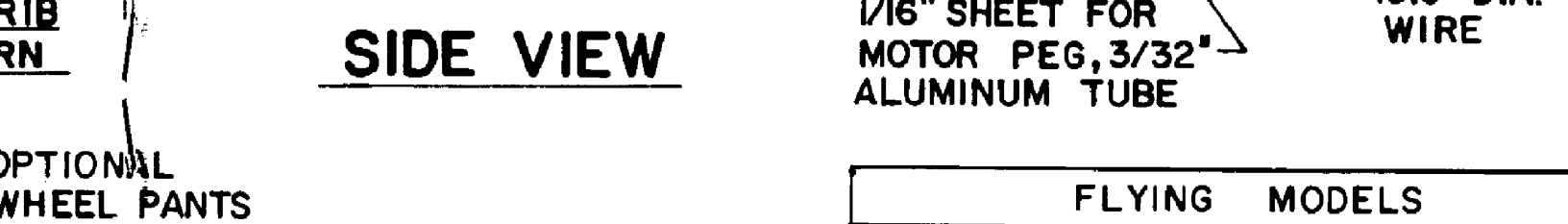
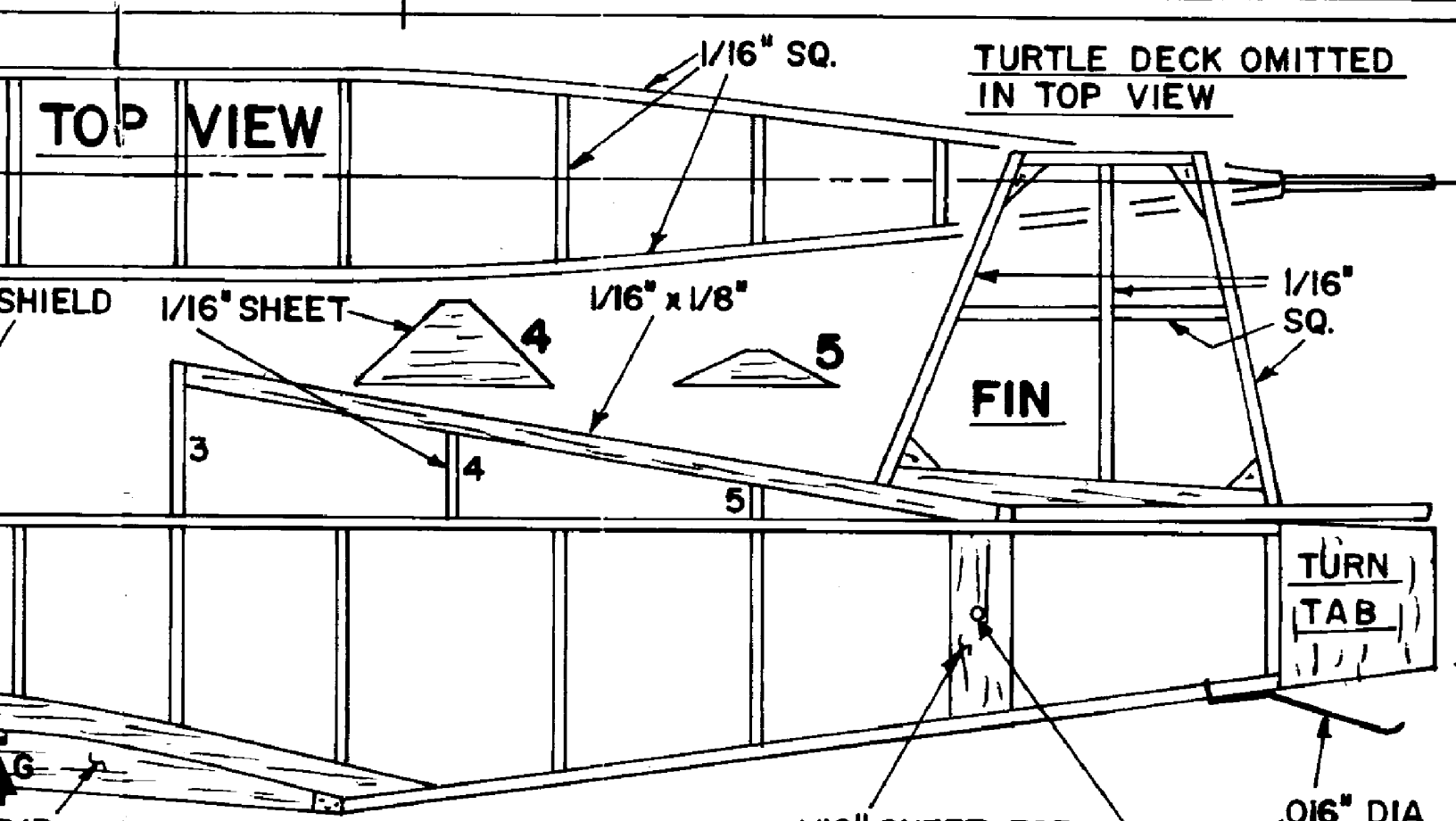
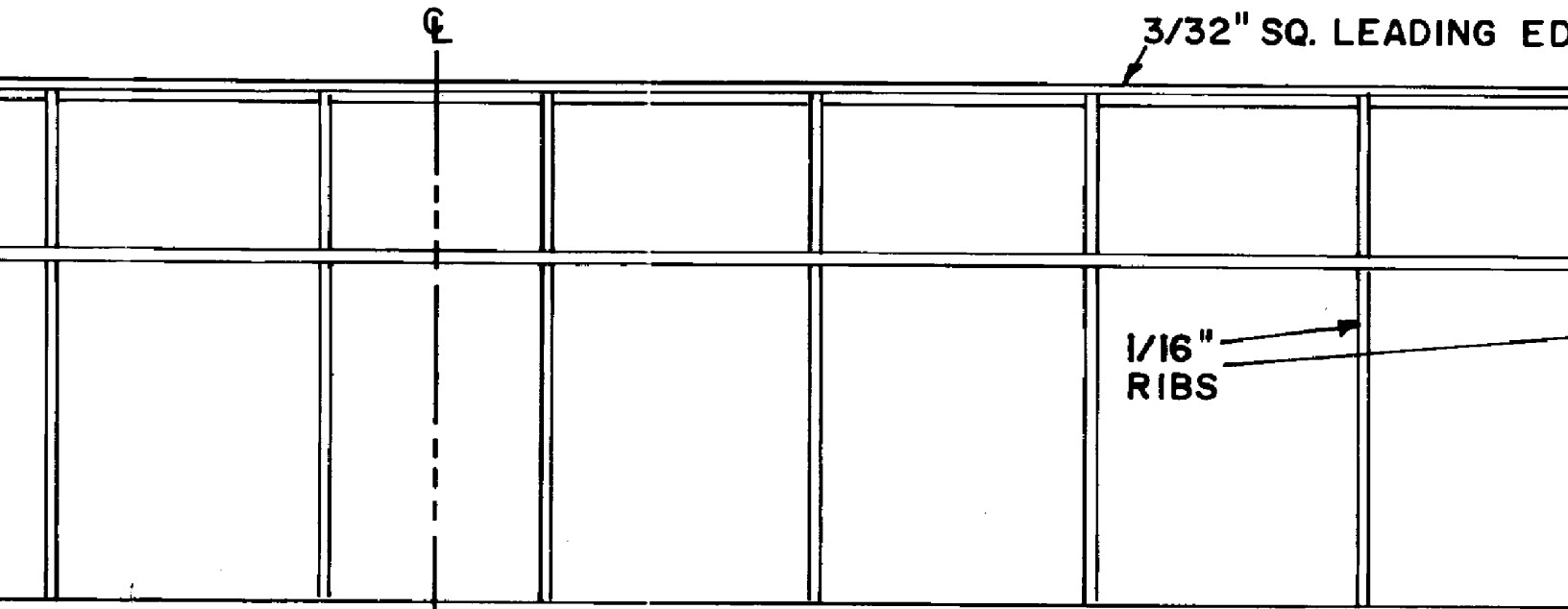
C.G.



OPTIC WHEEL

3/4" MIN. DIA. WHEELS

ALL MATERIALS OR 1/16" NOTED

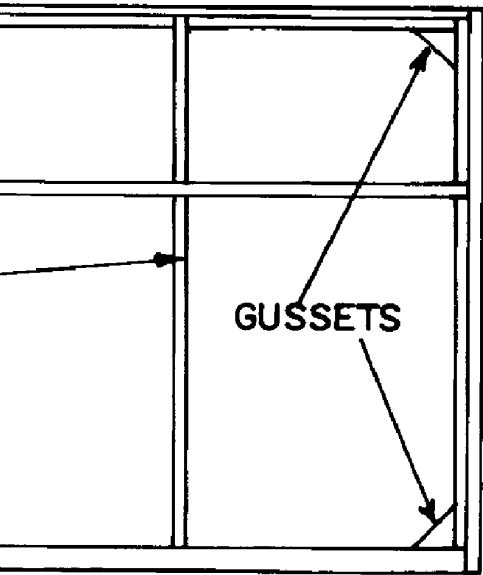


MATERIALS $1/16$ " SQ. BALSA
 $1/16$ " BALSA SHEET, EXCEPT
 NOTED OTHERWISE.

0" 1" 2"

FLYING MODELS	
EMBRYOBYAL	
DESIGNED & DRAWN BY AL BACKSTR	
INKED PLAN BY JOE DEMARCO	
ALL RIGHTS RESERVED	SHEET 1 OF 1

G EDGE



D

