

MR MALCOM EMBRYO, MY NOSTALGIA

1/32 RIBS

3/32 S

1 1/2" DIA.

L.G. MOUNT

1/32 SHT.

3/32 x 1/4 TAPER
TO 1/16 x 1/8
VERY HARD Balsa

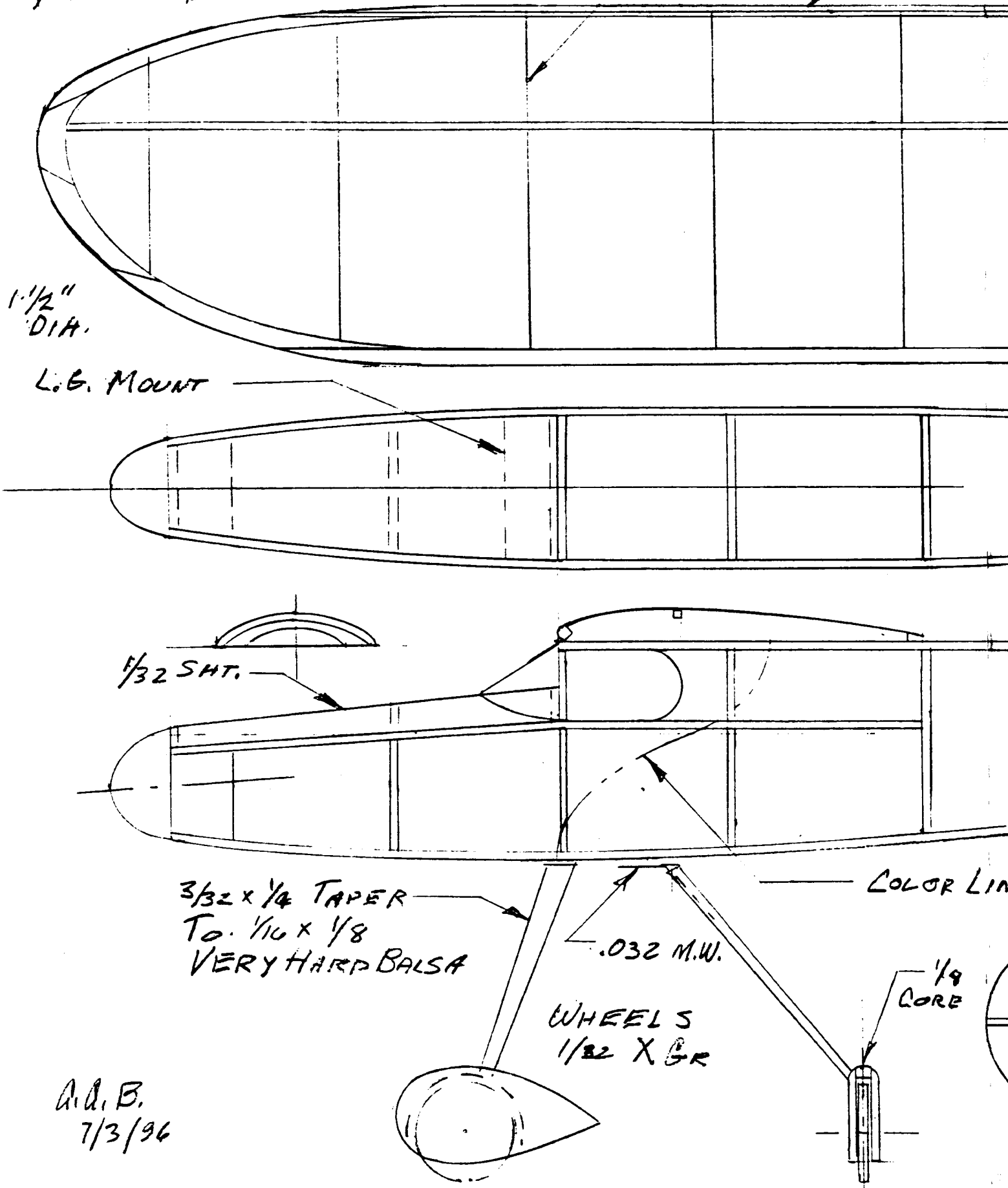
.032 M.W.

WHEELS
1/32 X GR

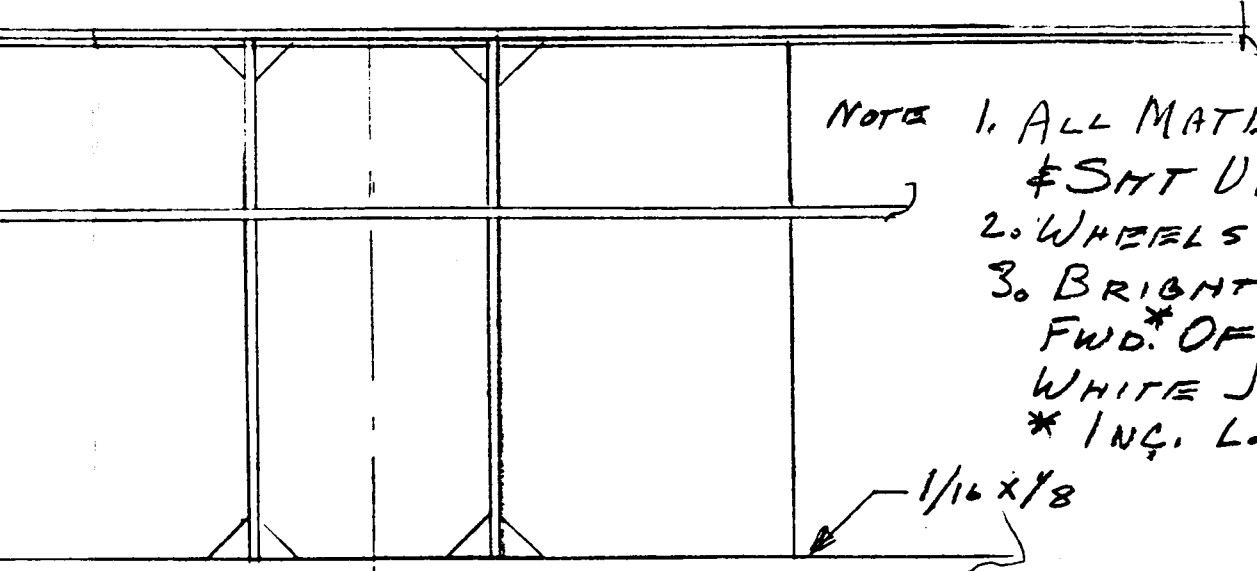
COLOR LINE

1/8 CORE

A.A.B.
7/3/96

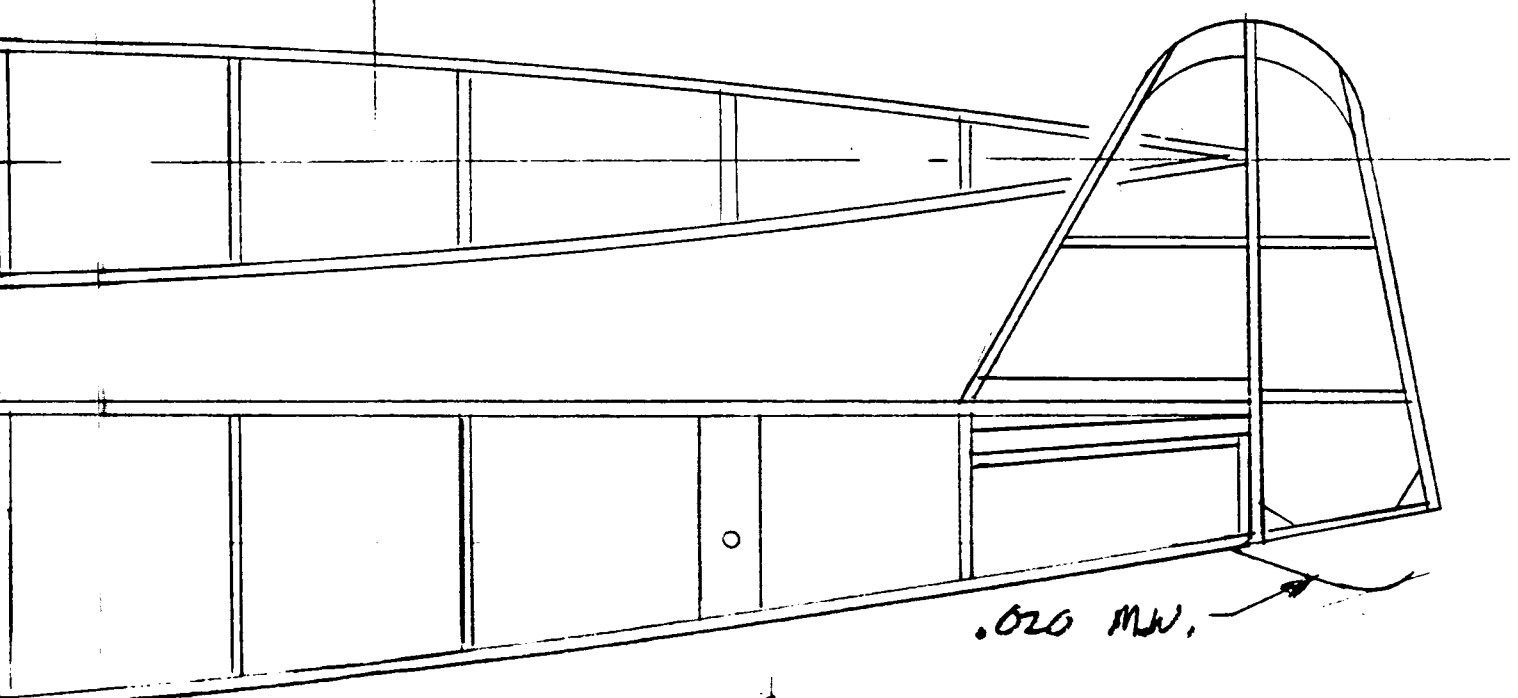


3/32 SQ



- NOTE 1. ALL MATERIAL 1/10 SQ
 & SHT UNLESS NOTED
 2. WHEELS 1/32 X GR
 3. BRIGHT RED DOPE
 FWD. OF COLOR LINE
 WHITE JAP. TISSUE ART.
 * INC. L. B.

1/16 x 1/8



.020 MW.

OR LINE

1/8
ORE

