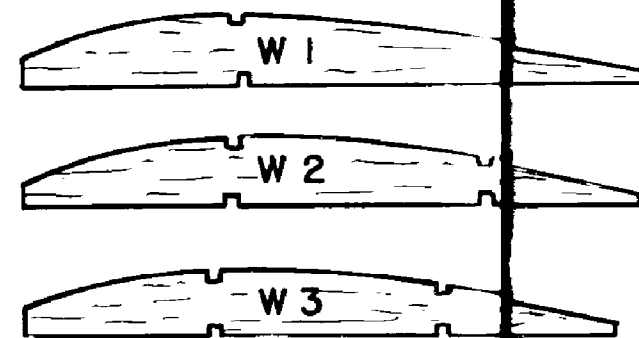
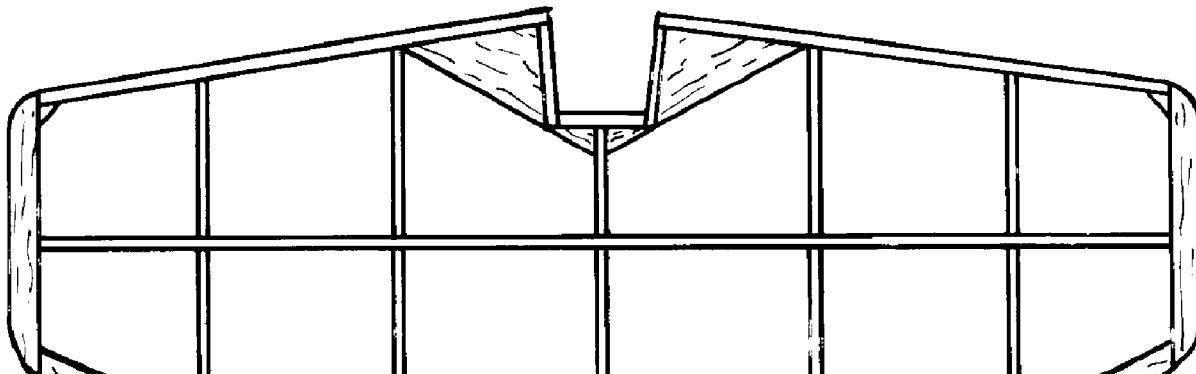
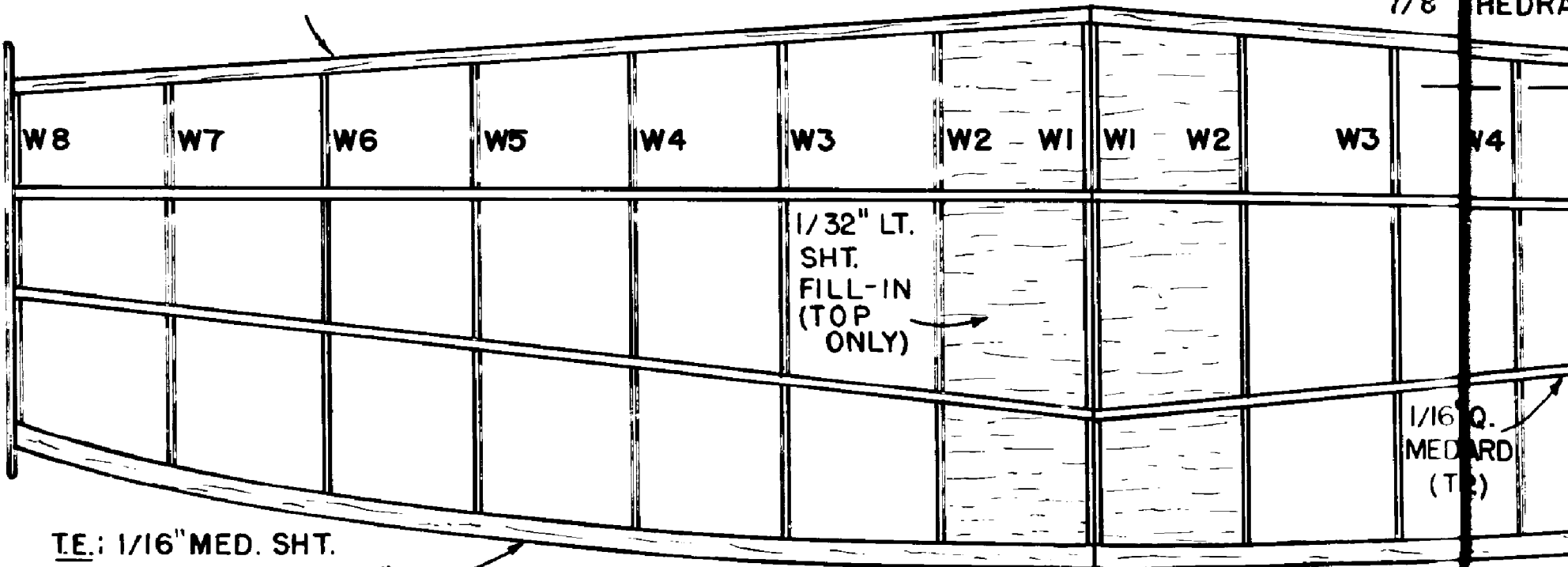
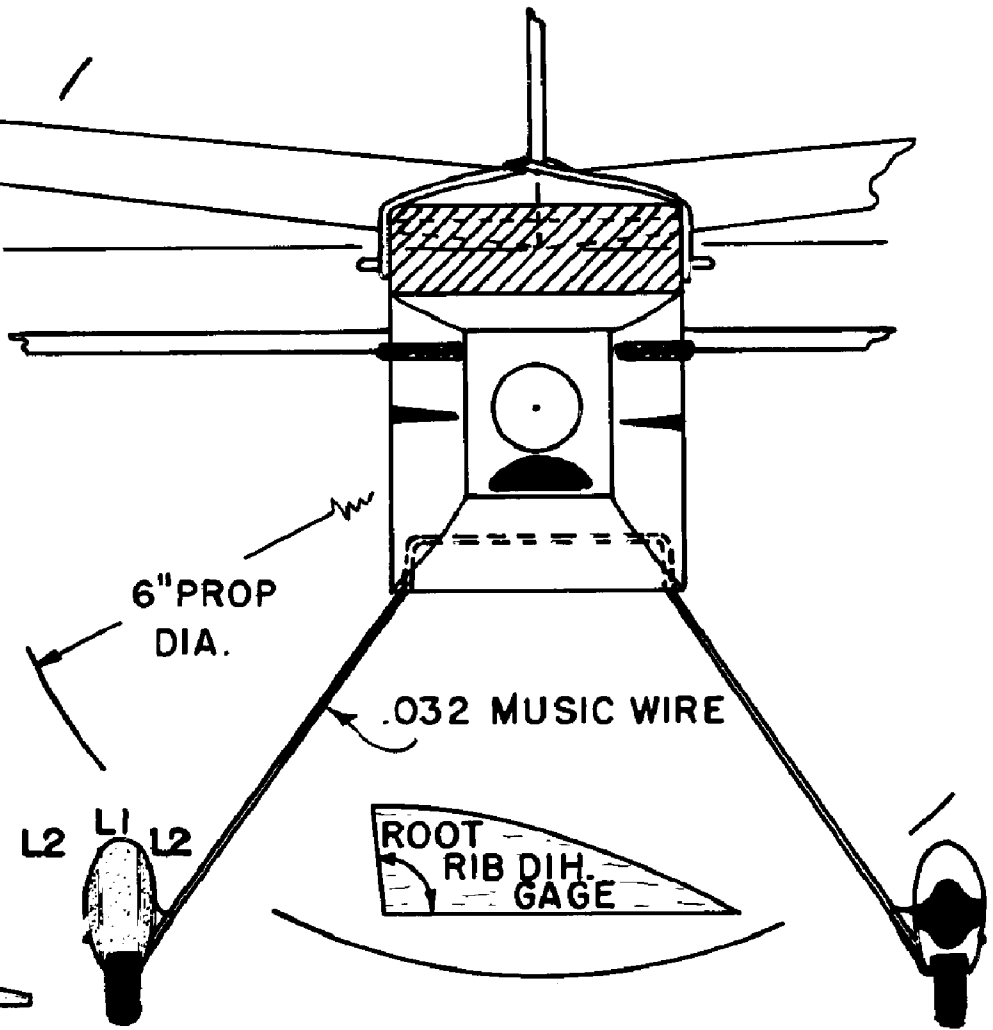
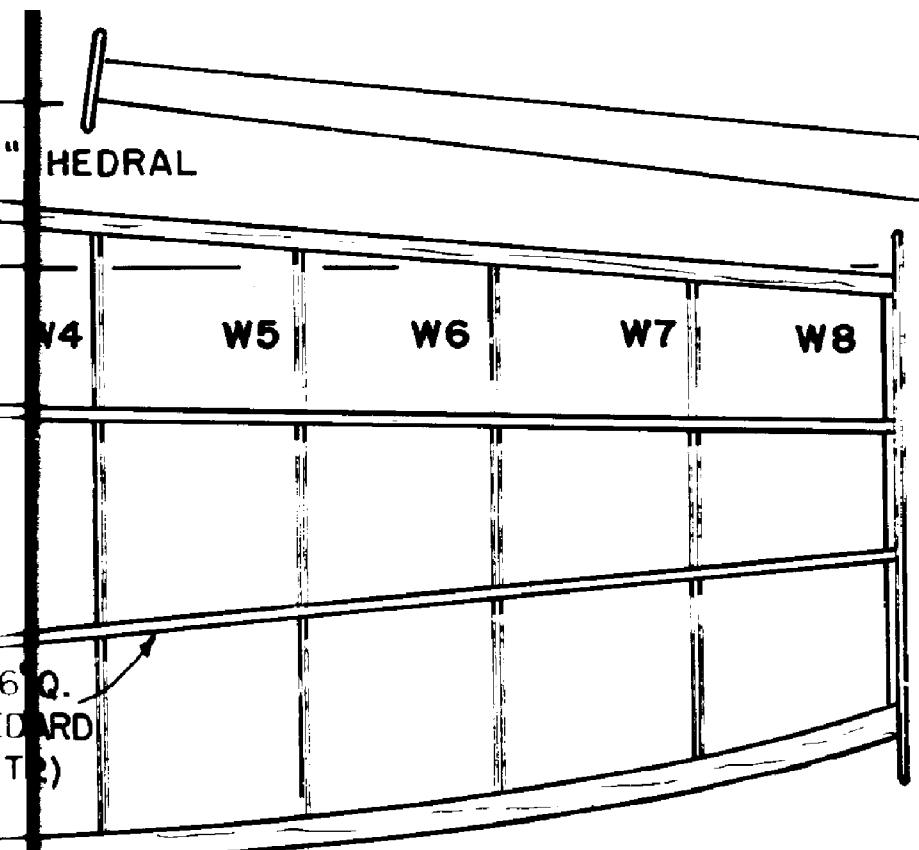


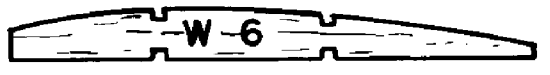
L.E.: 1/8" SQ. MED. BALSA

7/8" HEDRA

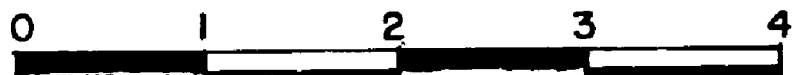
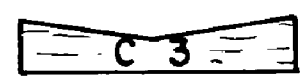
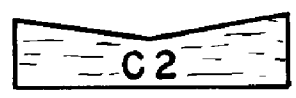


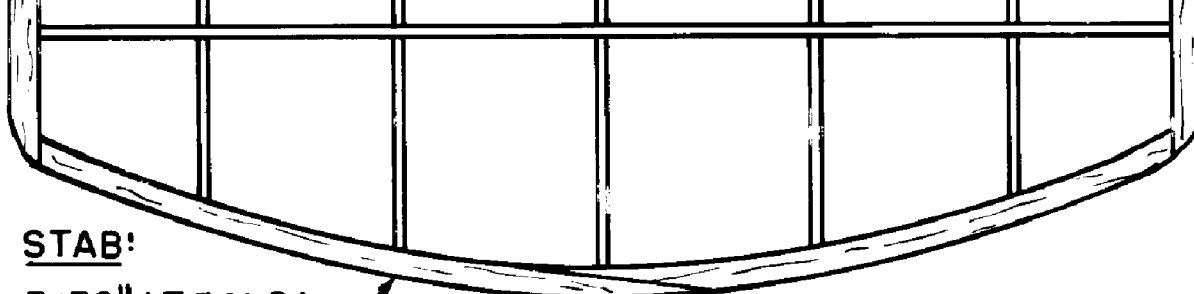


RIBS: 1/16" LT. Balsa  
SHT. - 2 EA.



1/16" LT. SHT.

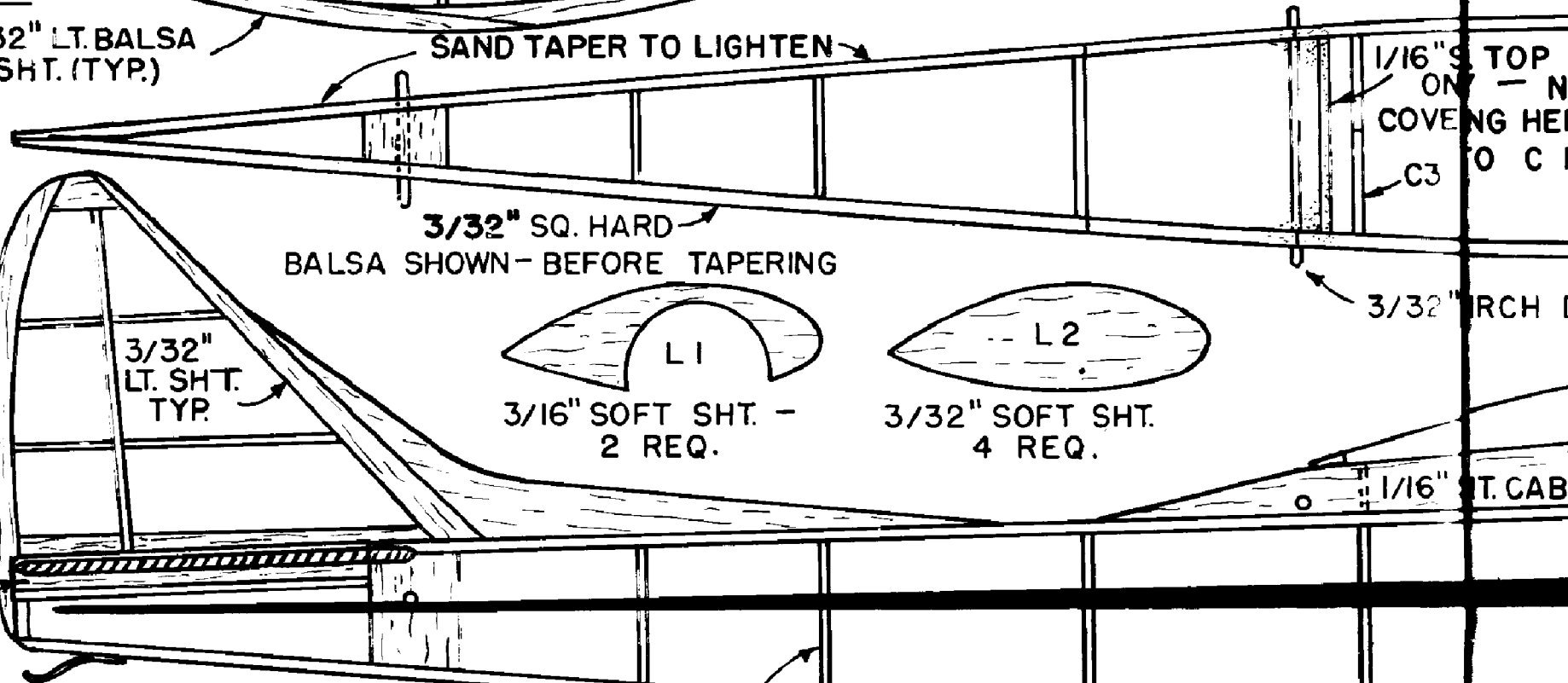
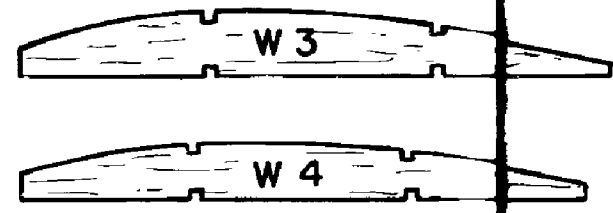




**STAB:**

3/32" LT. BALSA  
SHT. (TYP.)

SAND TAPER TO LIGHTEN



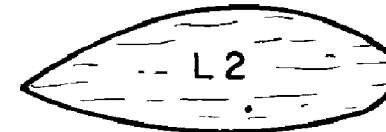
1/16" SQ. TOP  
ONLY - NO  
COVERING HERE  
C3

3/32" SQ. HARD  
BALSA SHOWN - BEFORE TAPERING

3/32"  
LT. SHT.  
TYP.



3/16" SOFT SHT. -  
2 REQ.



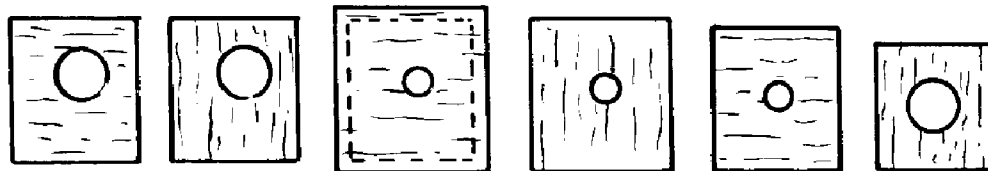
3/32" SOFT SHT.  
4 REQ.

3/32" RCH D

1/16" LT. CABI

1/16" LT. SHT. FILL AFTER FINAL  
STAB ANGLE DETERMINED BY  
TEST FLYING

1/16" SQ. MED.  
TYP.



NB

NA

NI

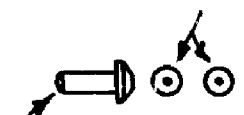
N2

N3

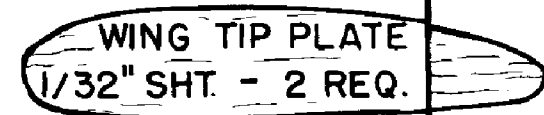
N4

1/8" HARD BALSA NOSE PLUG LAMS.

BRASS THRUST  
WASHERS

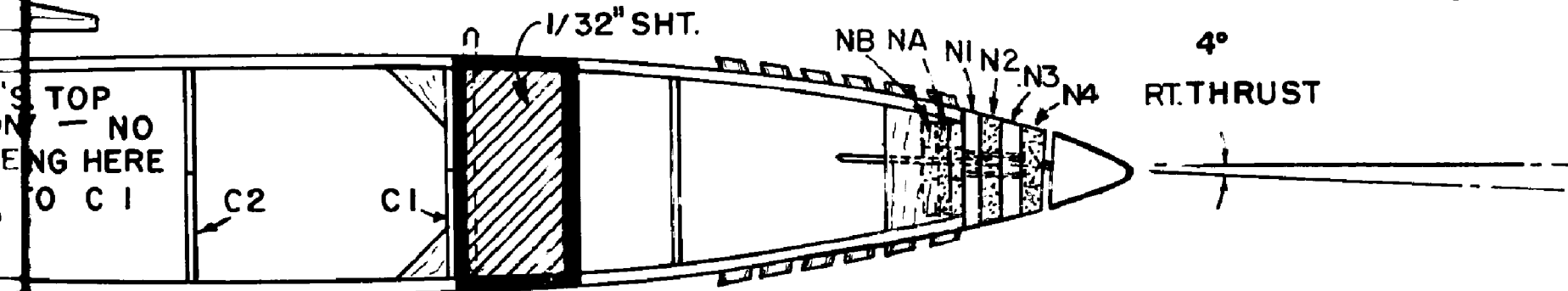
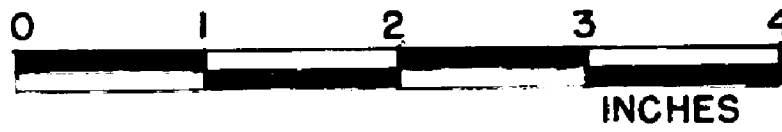


PECK  
POLYMERS  
1/8" NYLON  
NOSE BUTTON

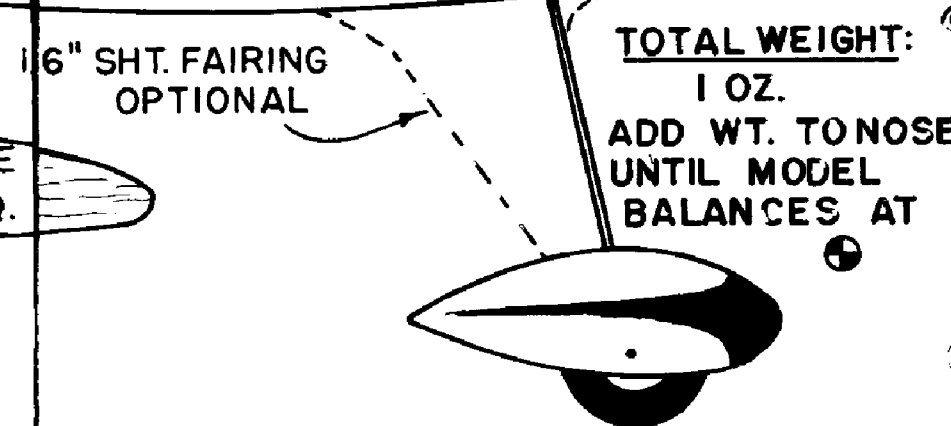
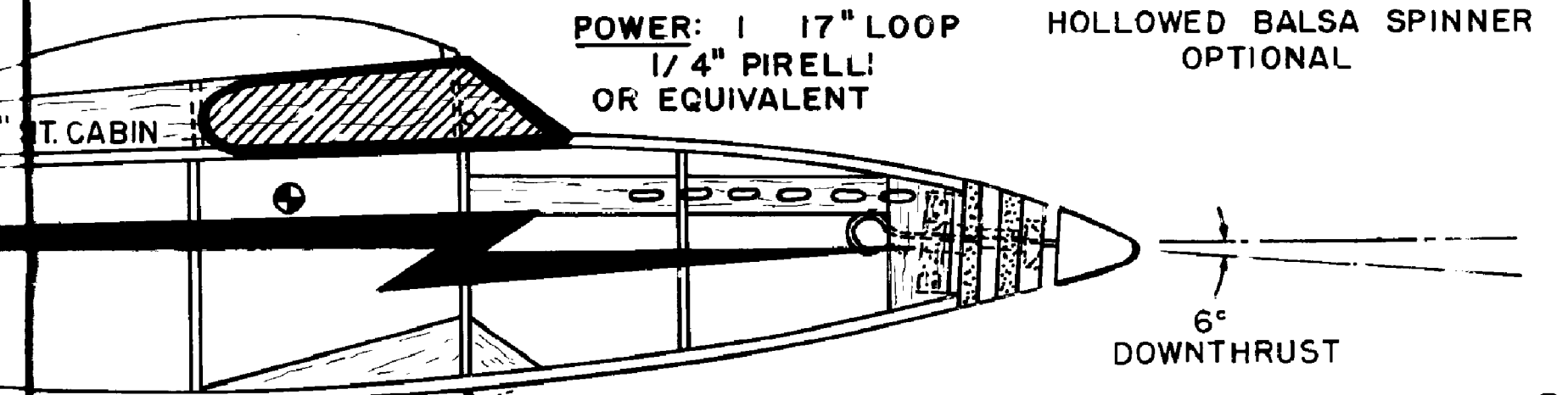


WING TIP PLATE  
1/32" SHT. - 2 REQ.

1/16" SHT  
OP



1/16" SQ. TOP ONLY  
ARCH DOWEL  
PROP: USE 7" NORTH PACIFIC PLASTIC CUT DOWN TO 6"



**“Mrs. Peach”**  
 EMBRYO ENDURANCE WINNER - '77 NATS  
 BY BILL WARNER