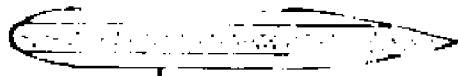
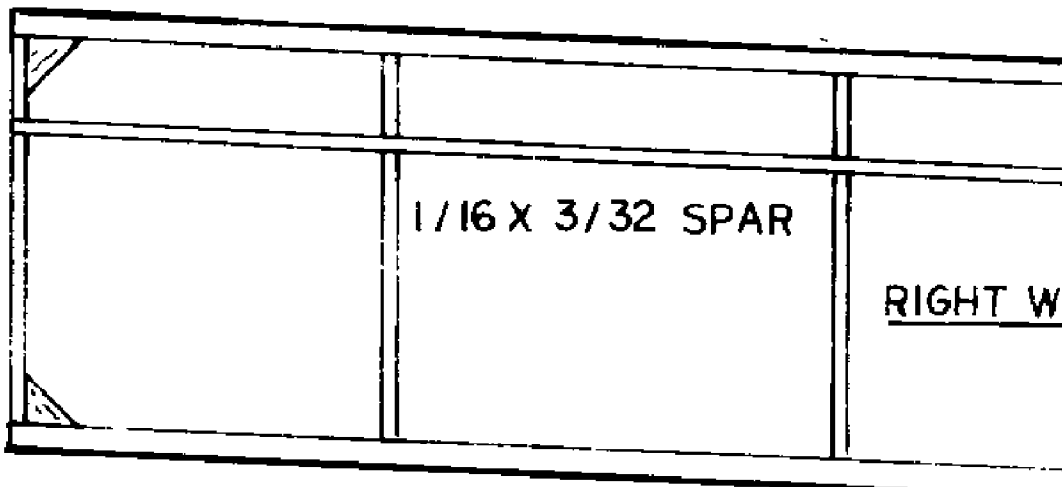


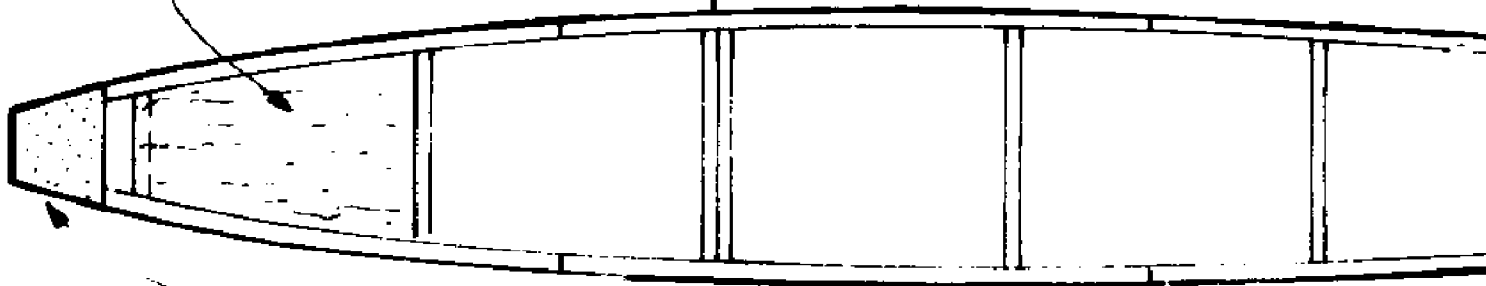
4- 1/32 X 1/16 LAM'S.

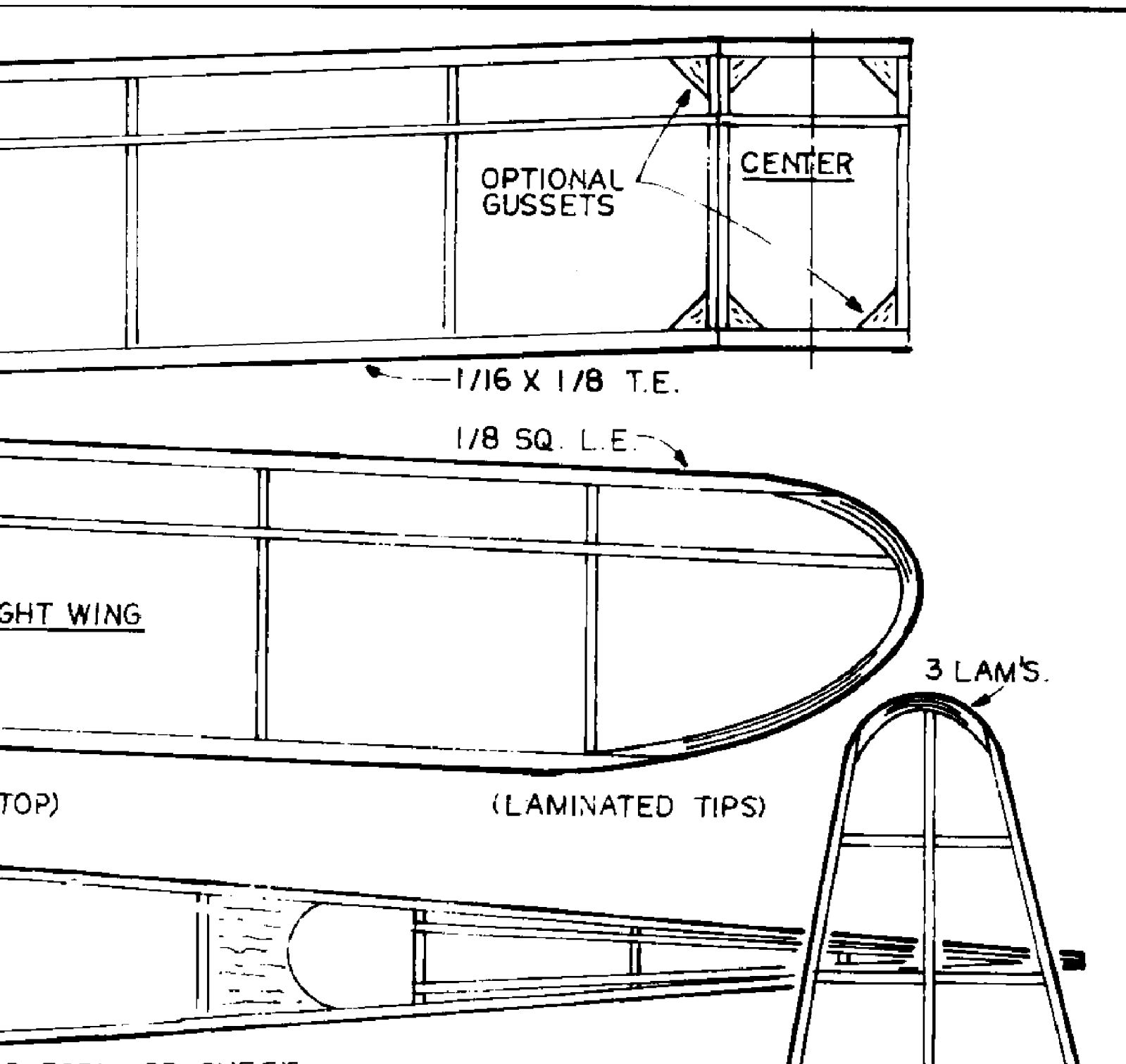
*Skyscraper Special*  
EMBRYO ENDURANCE



WHEEL PANT (TOP)

1/32 TOP FILL





REMOVABLE NOSE BLOCK

VAC-FORM  
PLASTIC

RIB

ADD 1/16  
WING RAILS  
AFTER  
COVERING

7-INCH PROP

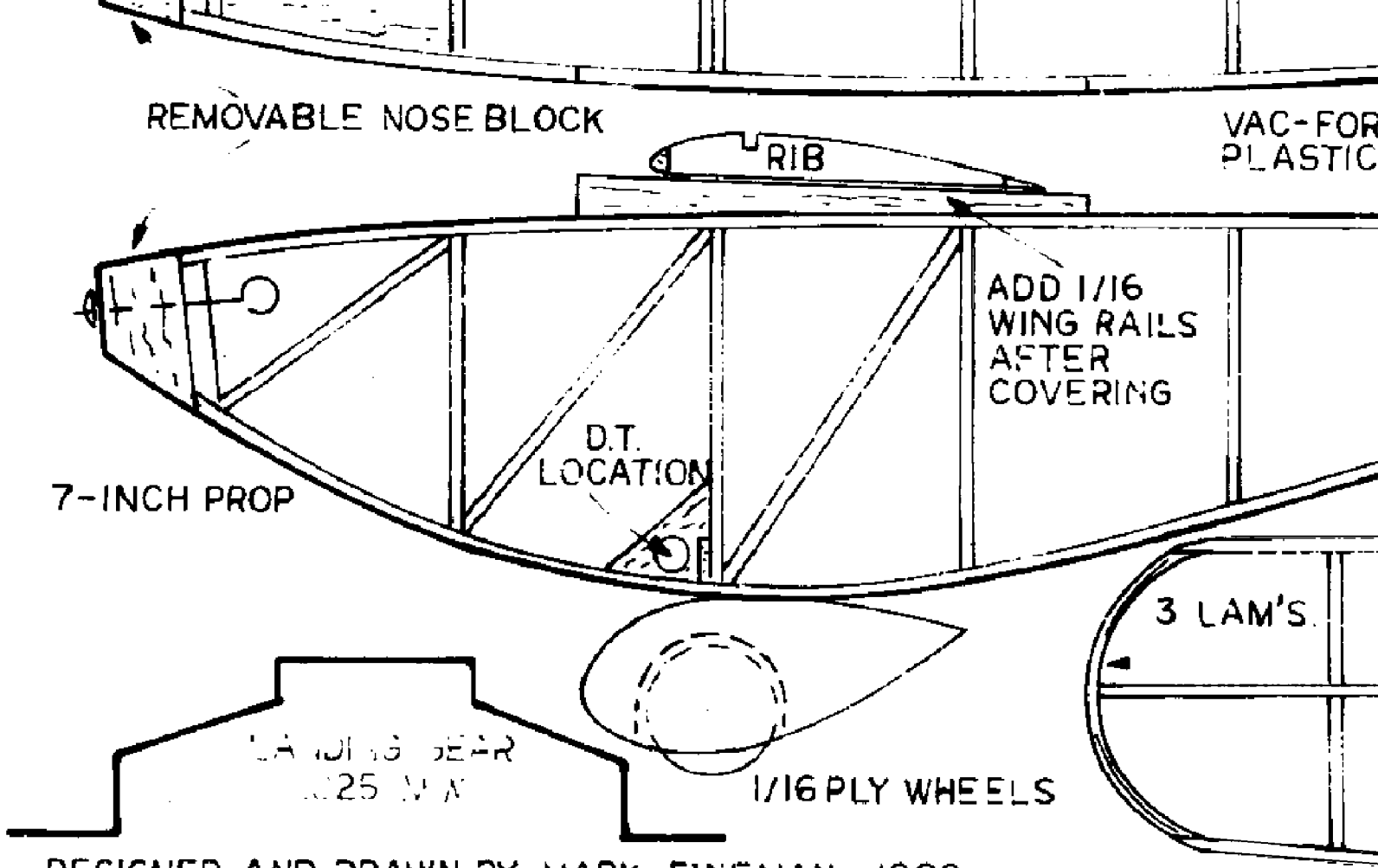
D.T.  
LOCATION

3 LAM'S.

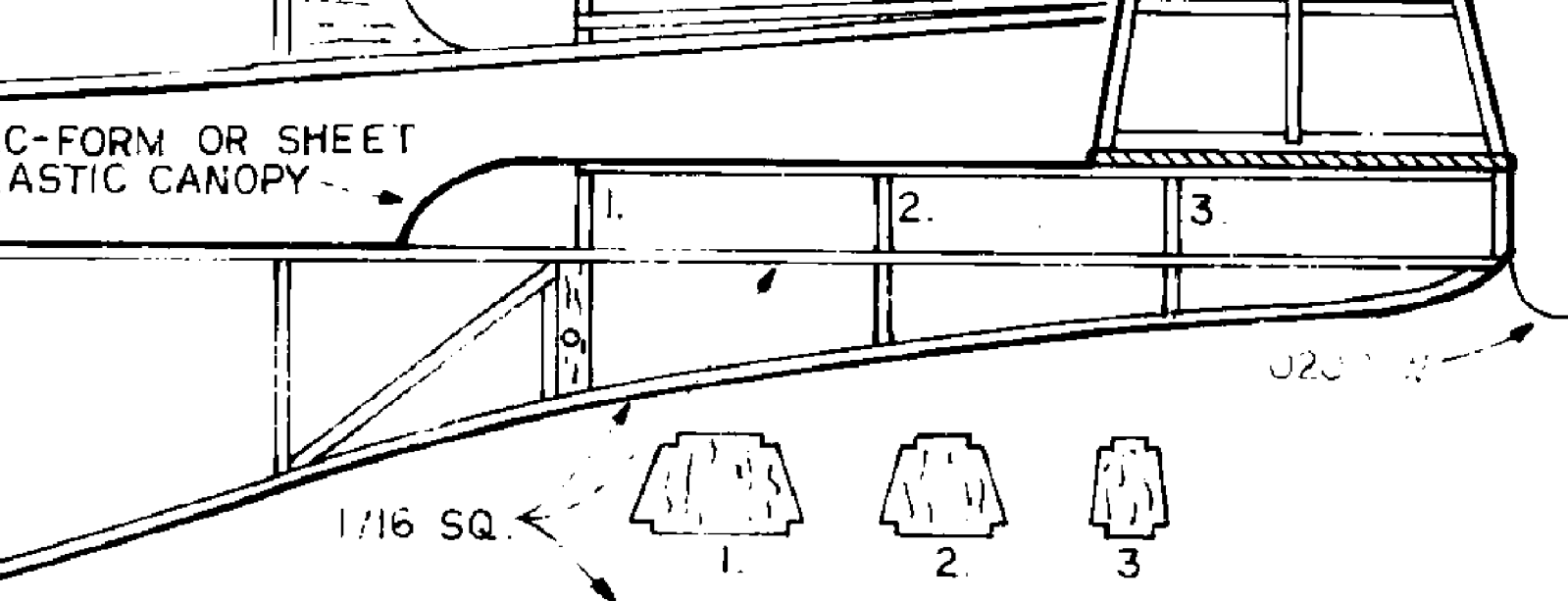
LANDING GEAR  
25 MM

1/16 PLY WHEELS

DESIGNED AND DRAWN BY MARK FINEMAN - 1992



C-FORM OR SHEET  
PLASTIC CANOPY



1/16 SQ.



1'S.

STAB

