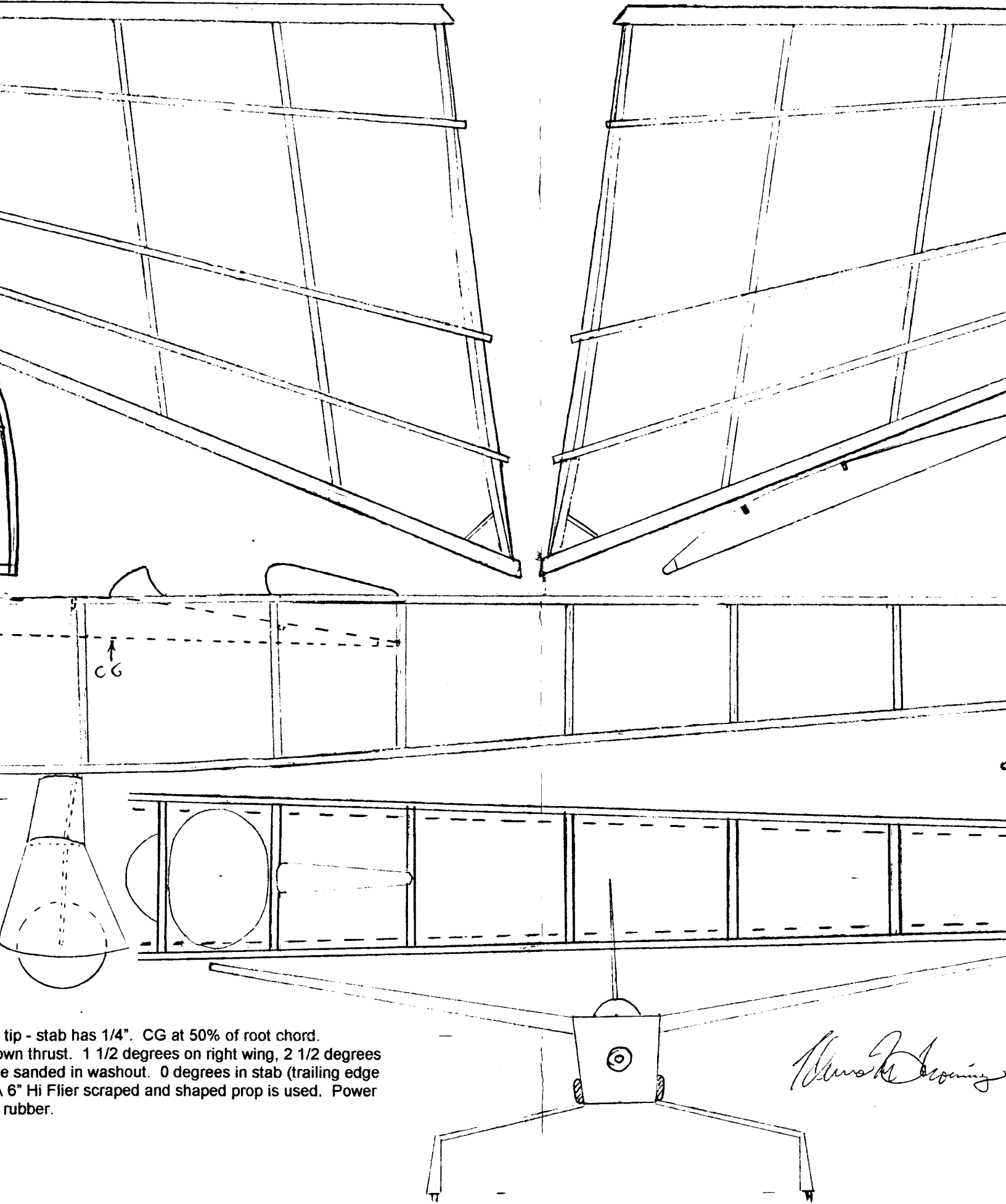


3/4 " dihedral at each wing tip - stab has 1 or 2 degrees right and down thrust. 1 1/2" in left wing. Wing tips have sanded in w (is tapered from bottom). A 6" Hi Flier sc is a 25" loop of 1/8 or 5/32 rubber.

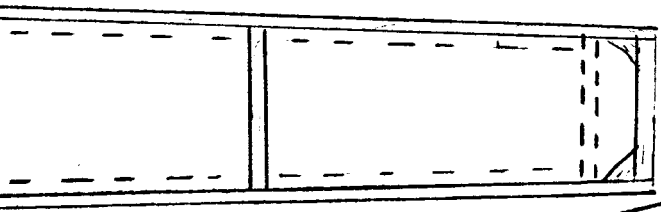
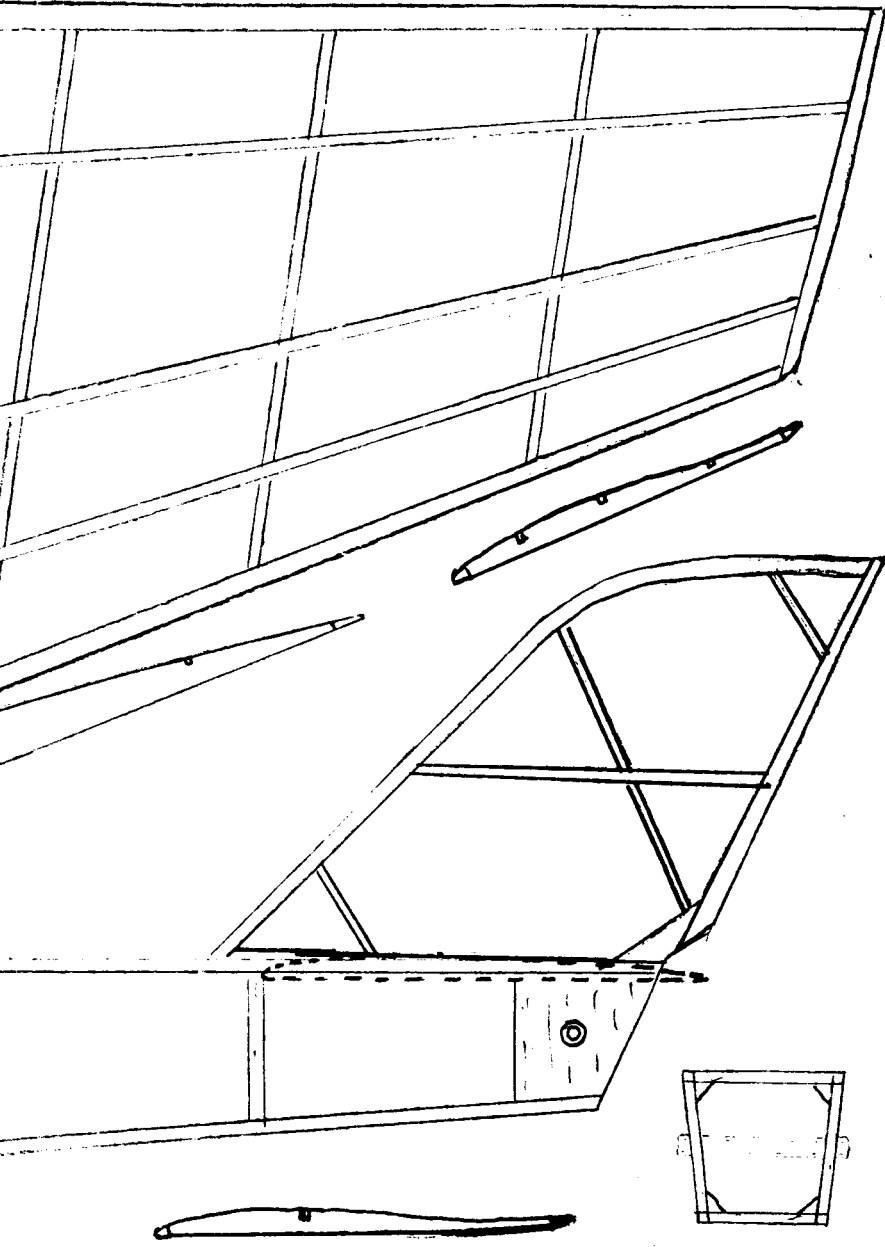
ng's Embryo seems to be stable and flies flat despite the low dihedral angle and will climb (sometimes) straight up without looping. It has a so



tip - stab has 1/4". CG at 50% of root chord.
down thrust. 1 1/2 degrees on right wing, 2 1/2 degrees
e sanded in washout. 0 degrees in stab (trailing edge
6" Hi Flier scraped and shaped prop is used. Power
rubber.

Alvin K. Brown

ng. It has a soft, mushing stall.



Opening

