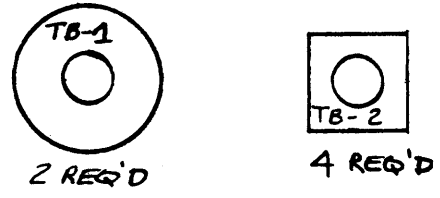
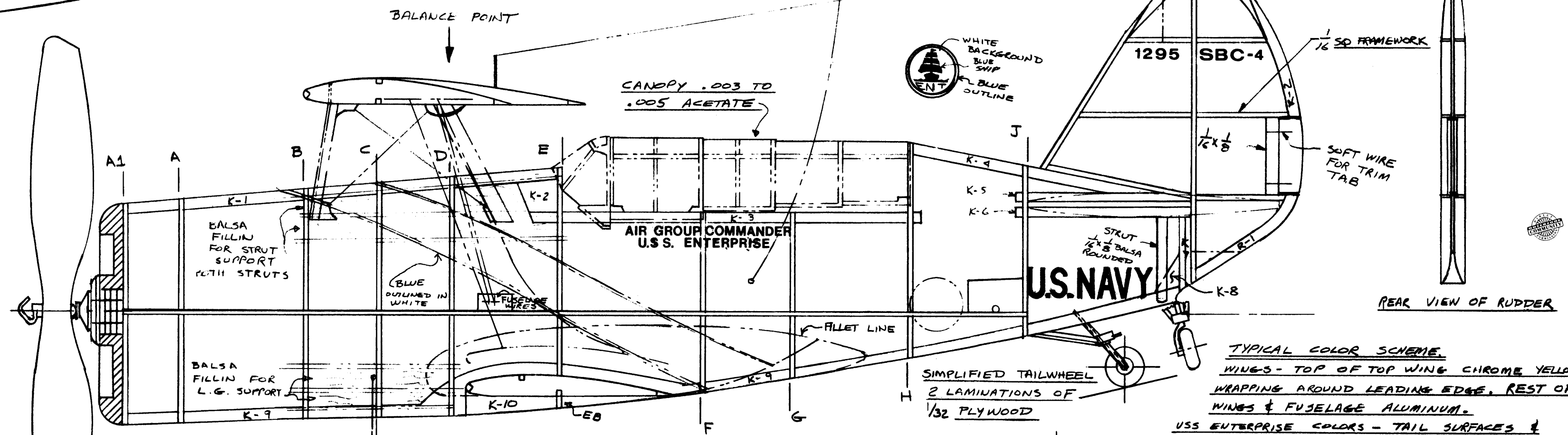
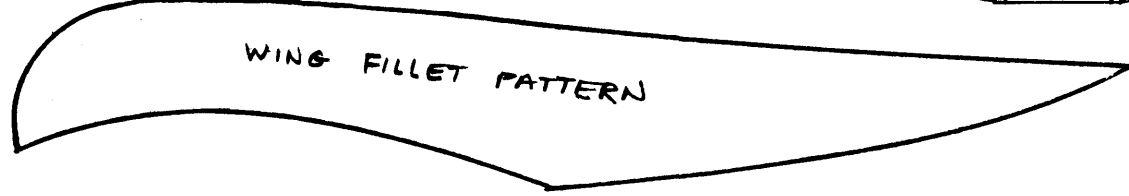
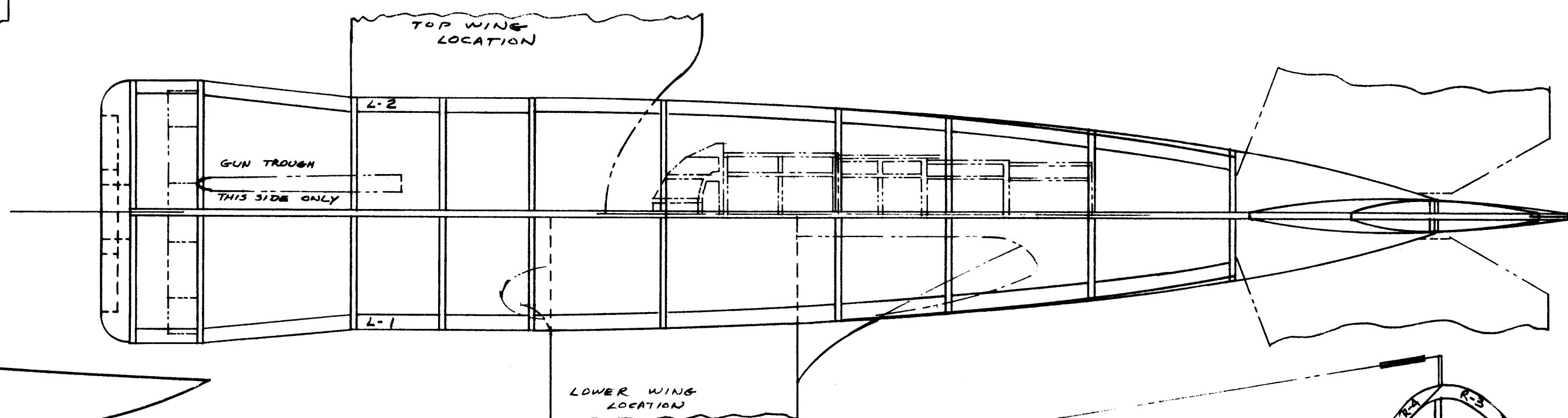
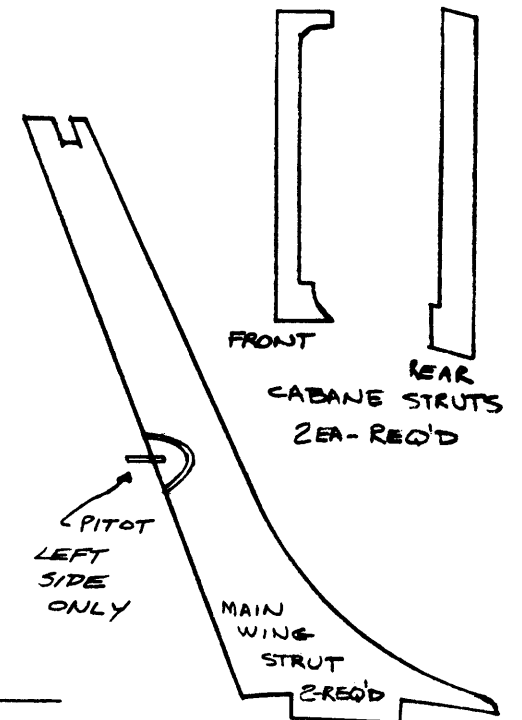
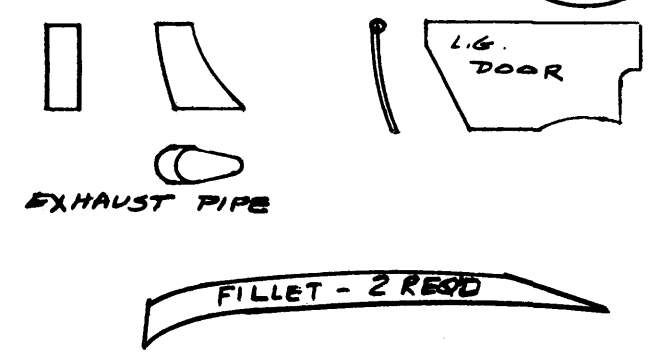


VIEW SHOWING WING STRUTS AND RIGGING

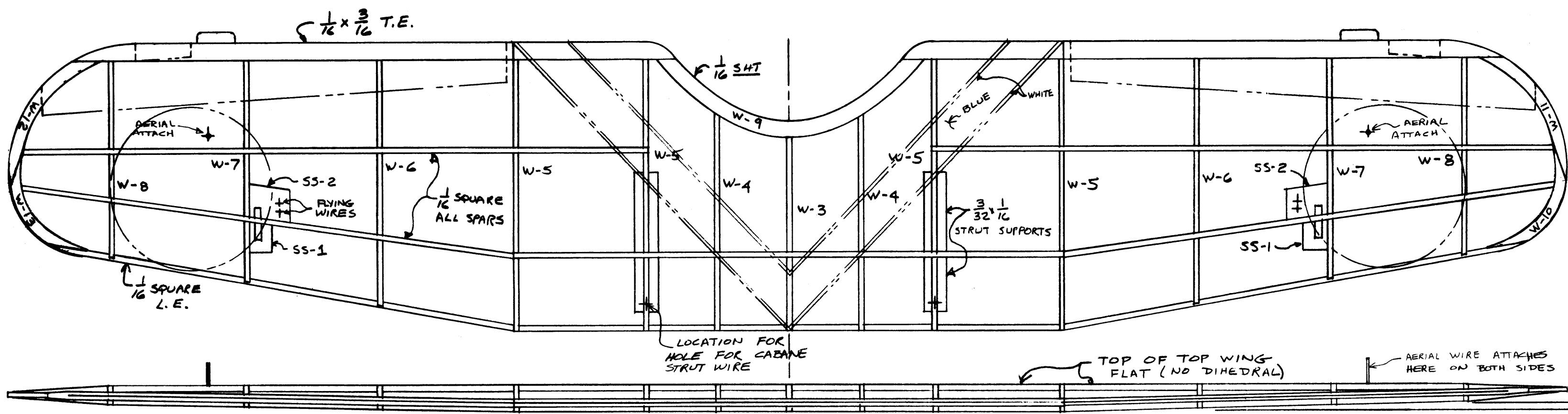


TYPICAL COLOR SCHEME
WINGS - TOP OF TOP WING CHROME YELLOW WRAPPING AROUND LEADING EDGE, REST OF WINGS & FUSELAGE ALUMINUM.
USS ENTERPRISE COLORS - TAIL SURFACES & COUL & FUSELAGE BANDS BLUE WITH WHITE OUTLINE, LETTERING BLACK EXCEPT WHITE ON TAIL. EMBLEM - WHITE DISC WITH BLUE SHIP AND SURROUNDING CIRCLE.

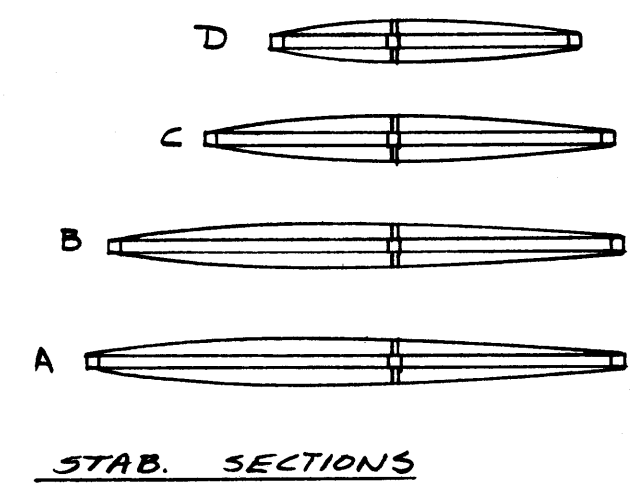
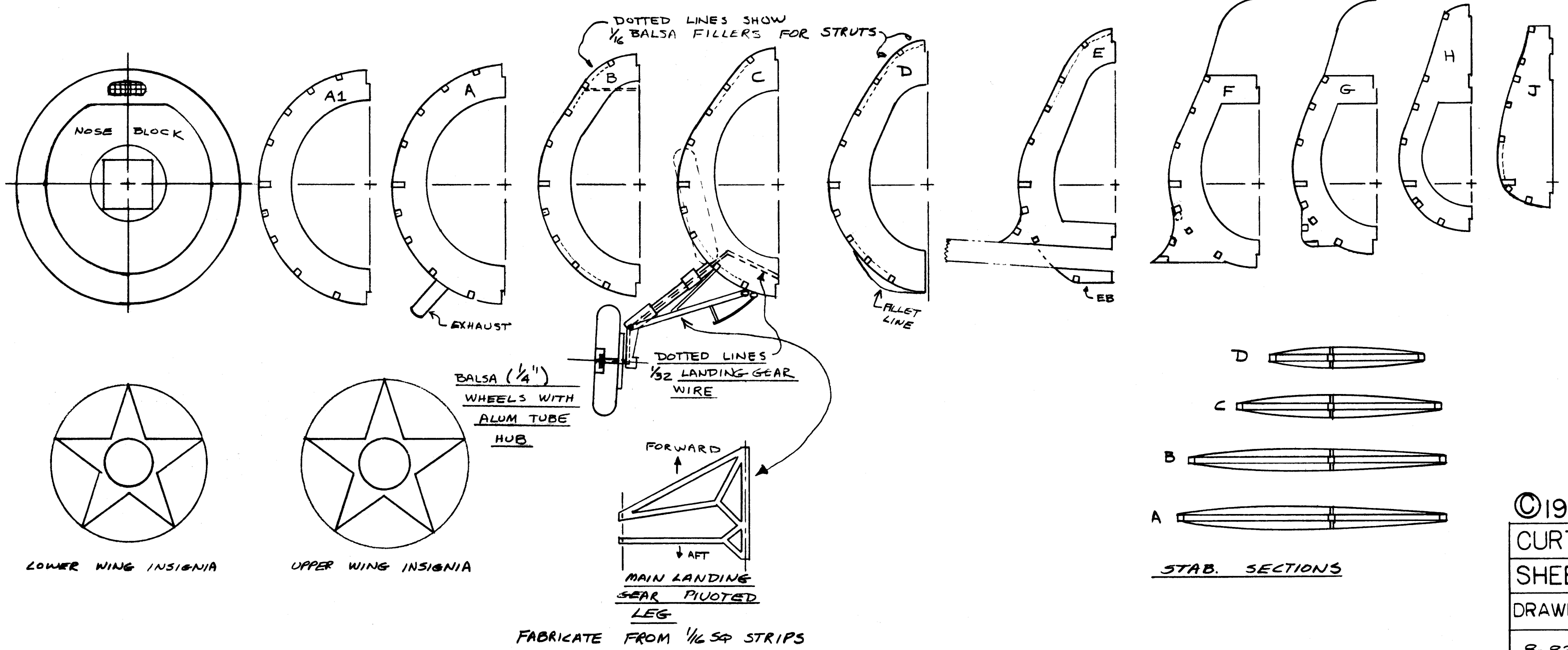
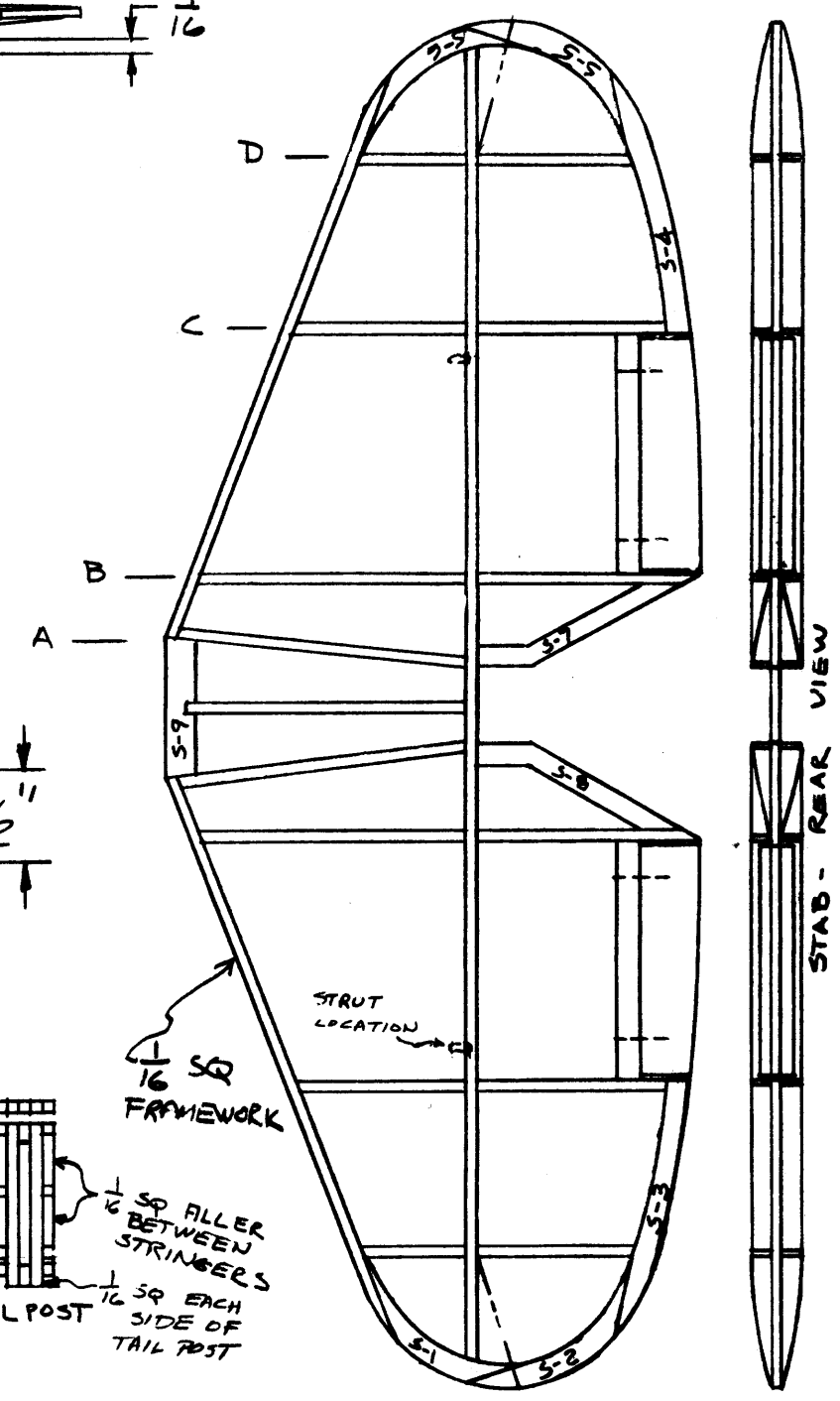
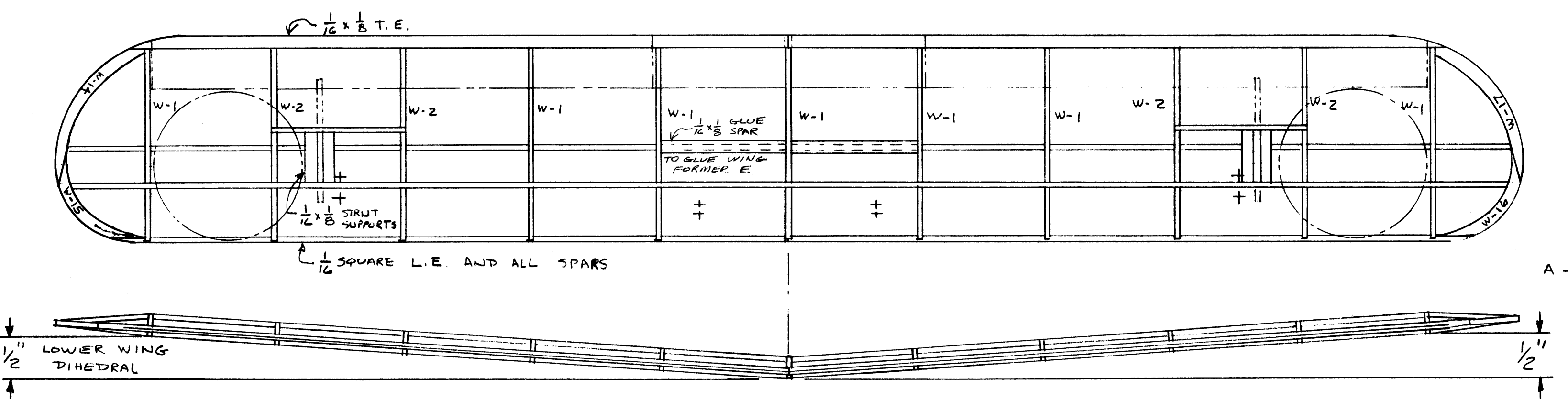
NOTE: FOR A BETTER FLYING MODEL USE ONLY THE 1/16 THICK STRUCTURE FRAMEWORK FOR RUDDER AND STAB WITHOUT ADDING FORMED RIBS.

REFERENCES: 1. MAP PLAN # 2671 - GEORGE COX THRU AERO MODELLER - CURTISS SBC-4
2. AIR ENTHUSIAST "FIVE" - WILLIAM GREEN & GORDON SWANBOROUGH
3. "MATCHBOX" 1/72 SCALE PLASTIC KIT - CURTISS SBC-4

CURTISS SBC-4		
SHEET 1 OF 2	SCALE 1/2" = 1'	SPAN 17"
DRAWN BY DAVID DIELS, WOODVILLE, OHIO, USA		
B-82 David G. Diels		



- W-3 1 REQ'D
- W-4 2 REQ'D
- W-5 4 REQ'D
- W-6 2 REQ'D
- W-7 2 REQ'D
- W-8 2 REQ'D
- W-1 7 REQ'D
- W-2 4 REQ'D



NOTE: BUILD FRAMEWORK OVER PLAN. THEN ADD 1/16 x 1/32 STAB. RIBS TO TOP AND BOTTOM AND SAND TO SHAPE.

©1988 DAVID G DIELS
 CURTISS SBC-4
 SHEET 2 OF 2 SCALE 1/2" = 1 FT
 DRAWN BY DAVID DIELS, WOODVILLE, OHIO, USA
 B-82 David G. Diels