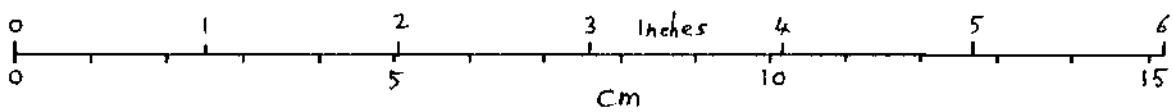
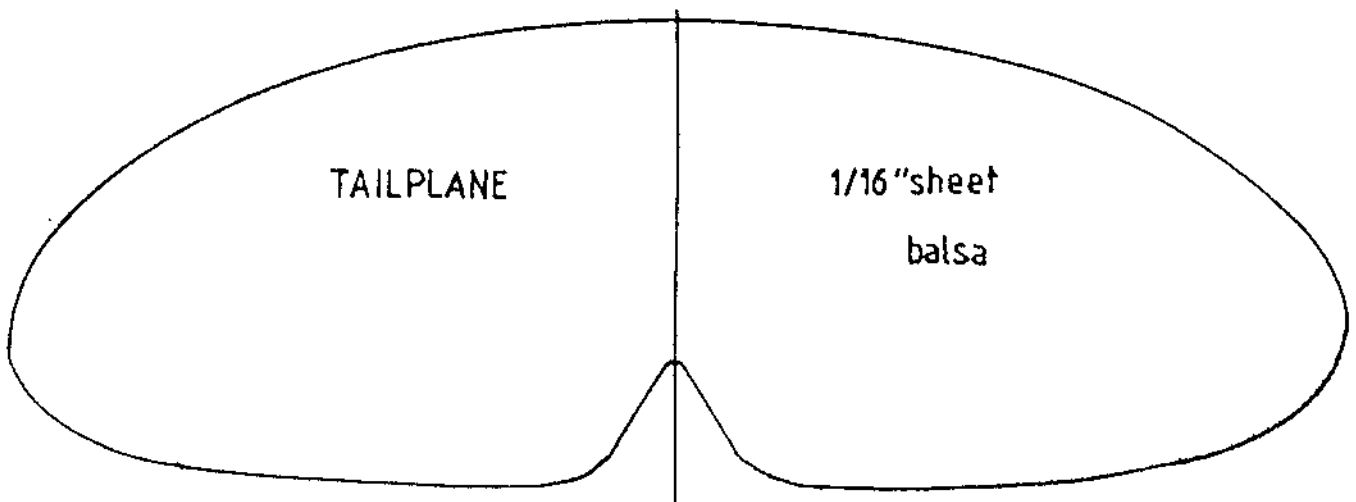
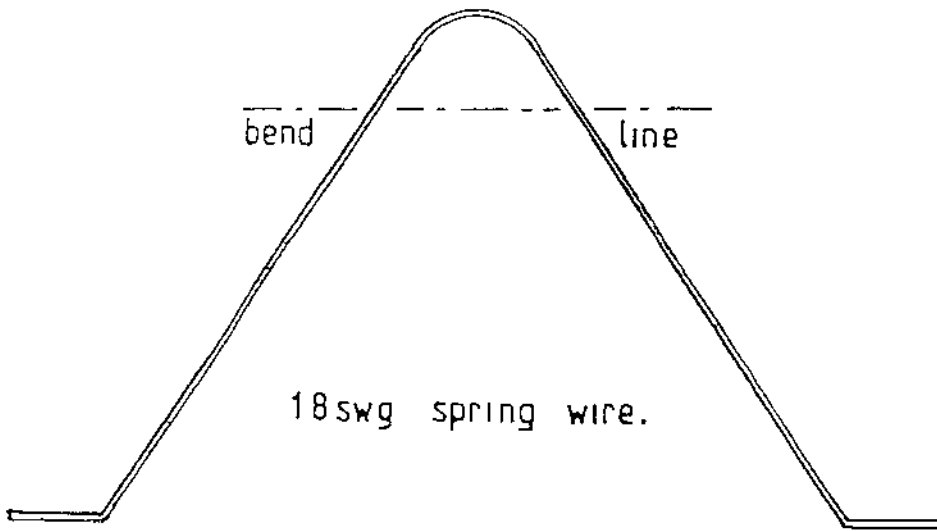
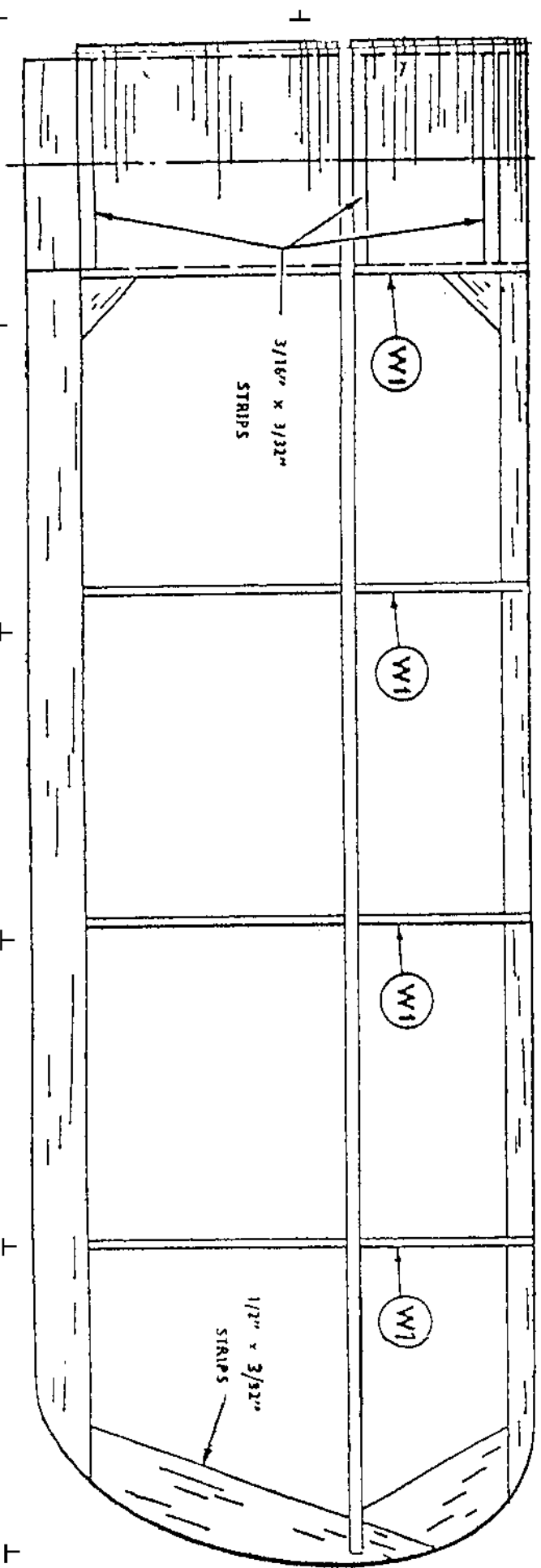


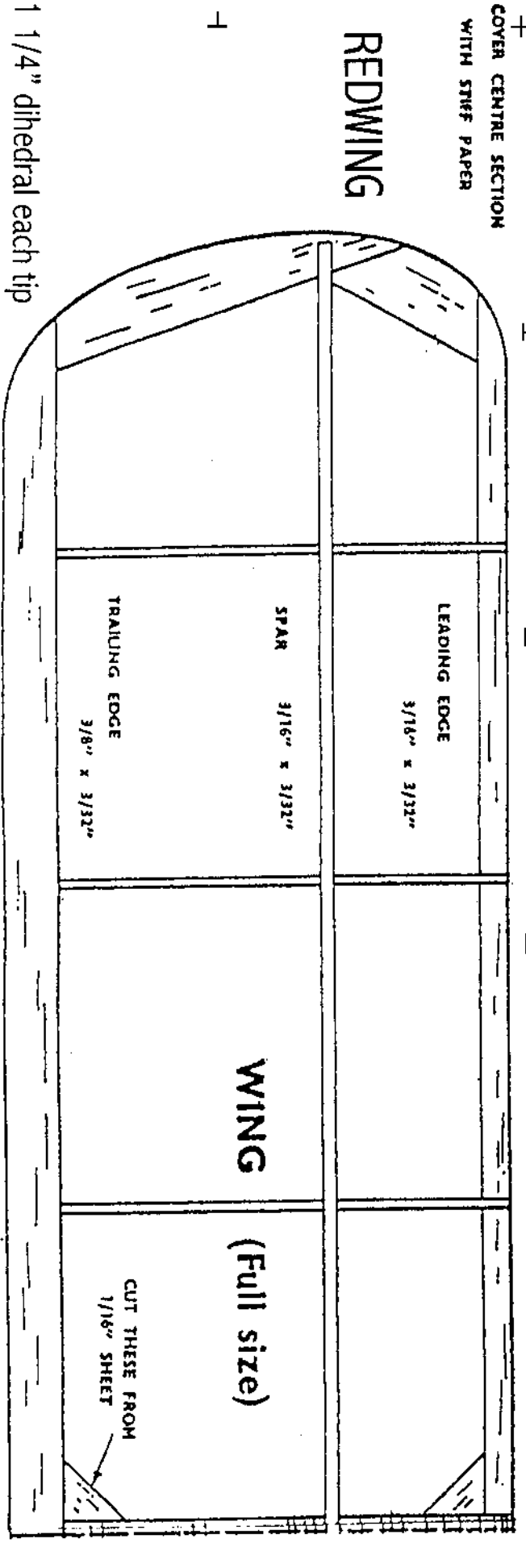
# REDWING





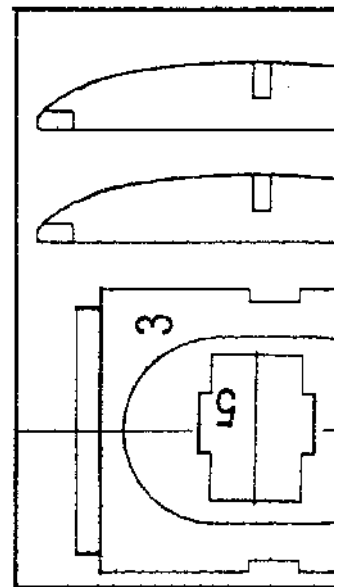
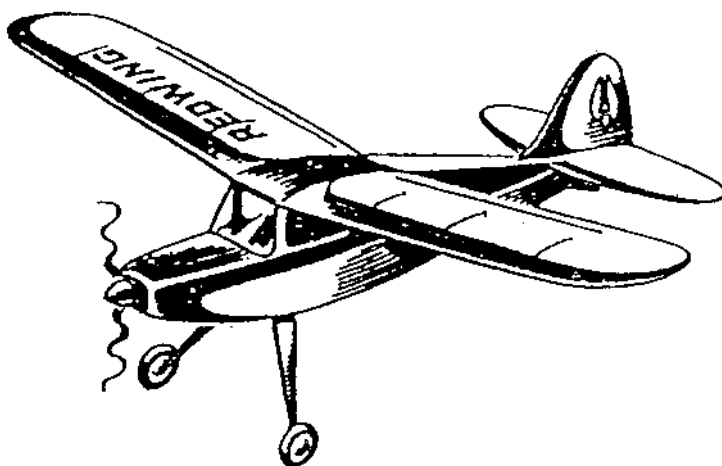
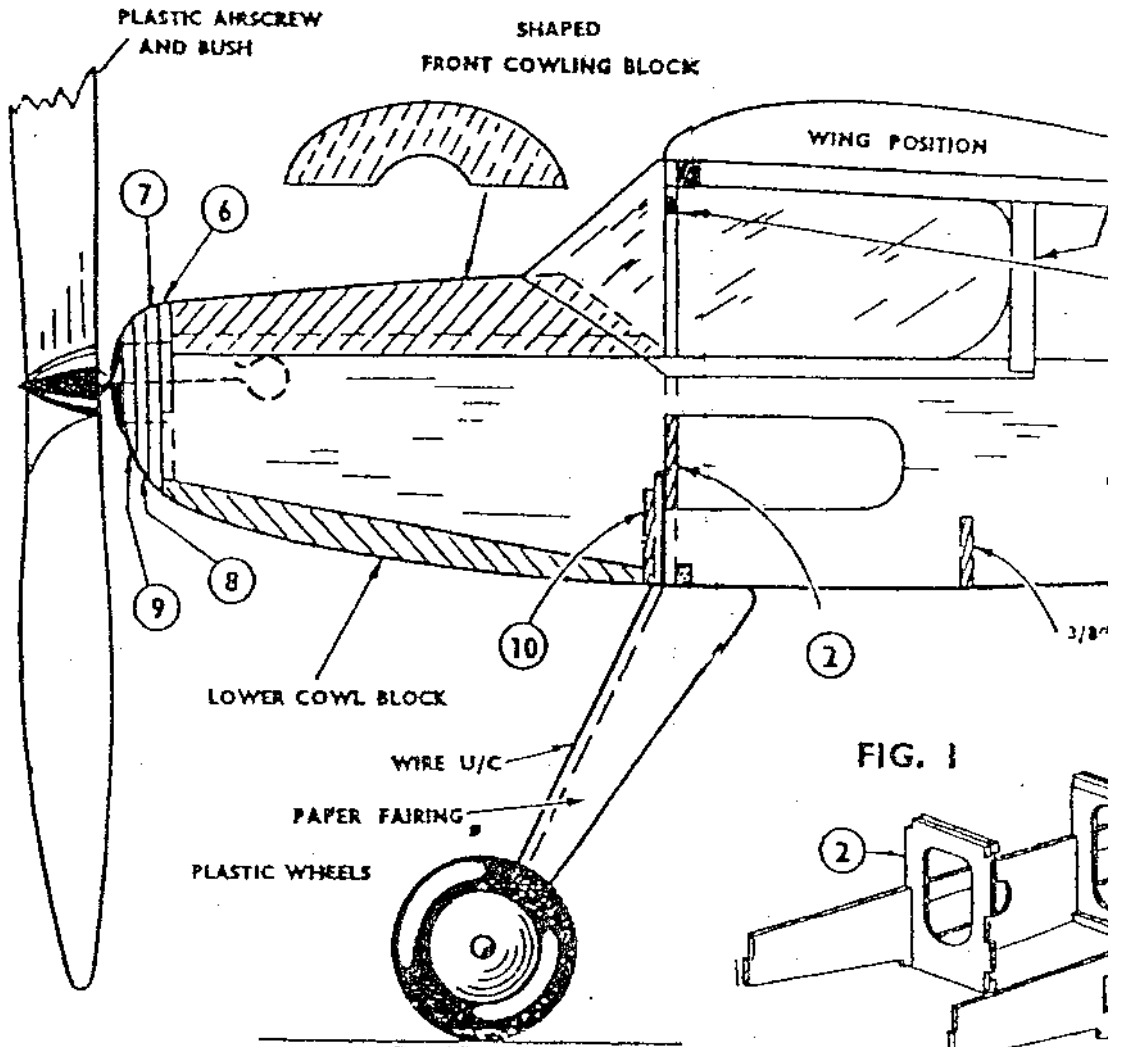
COVER CENTRE SECTION  
WITH STIFF PAPER

**REDWING**



# FROG "REDWING"

SIDE VIEW



# VING''

18' SPAN  
RUBBER-POWERED

± ± ±  
SIDE VIEW (Full size)

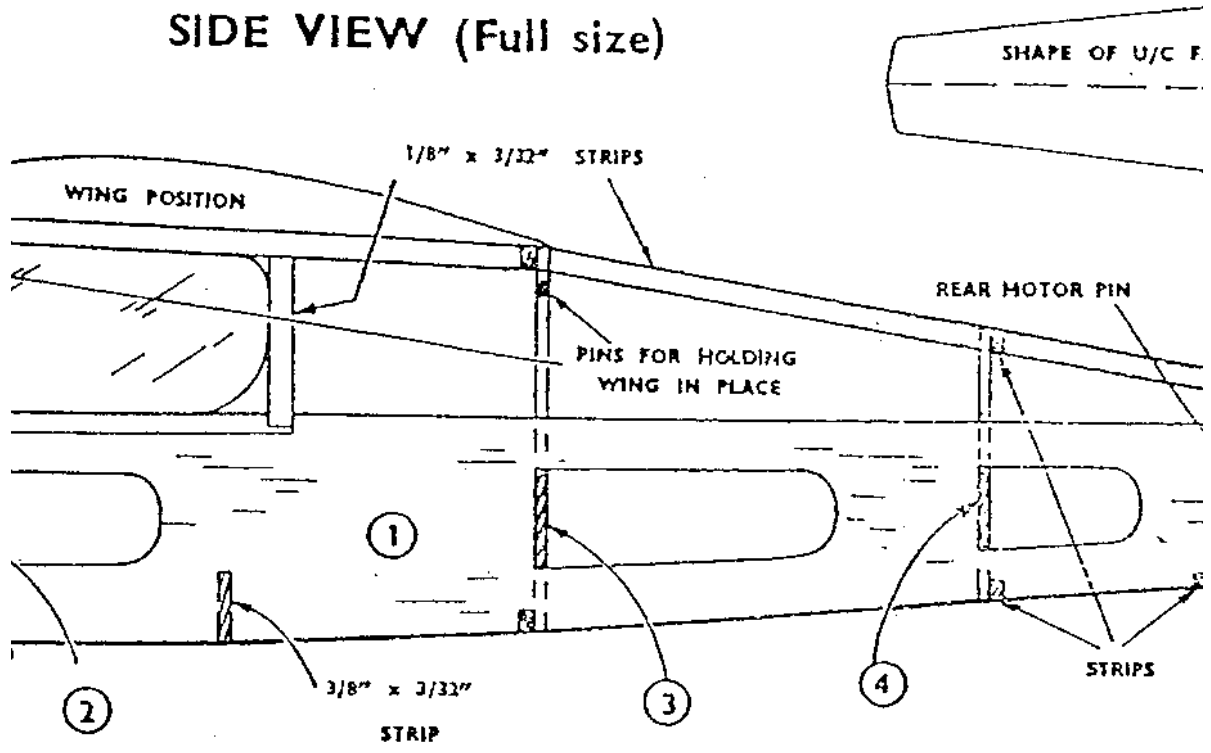
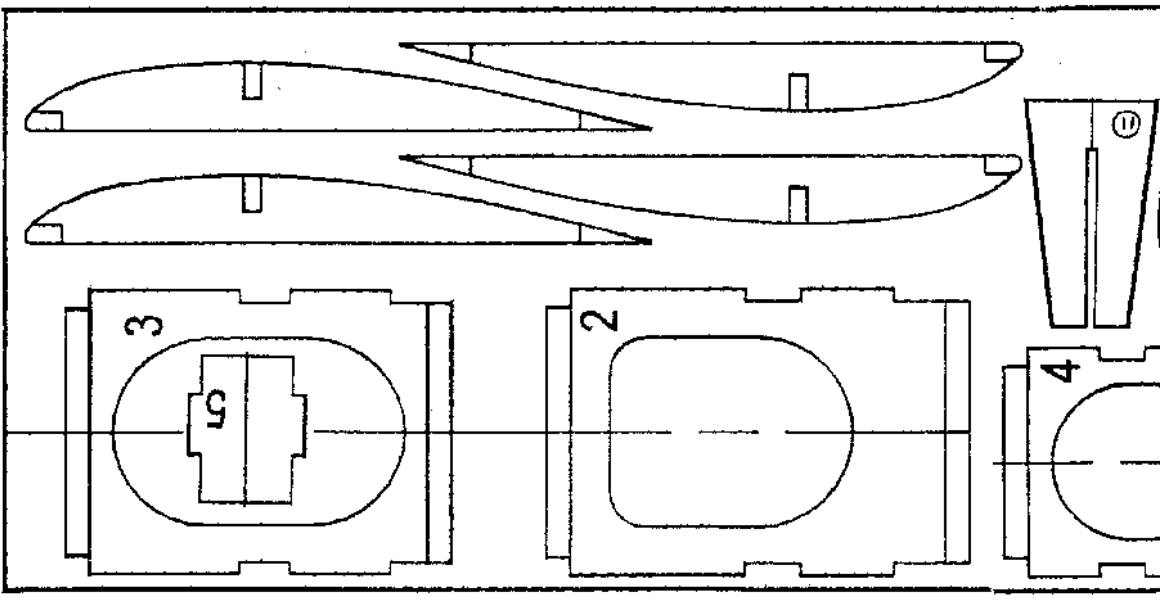
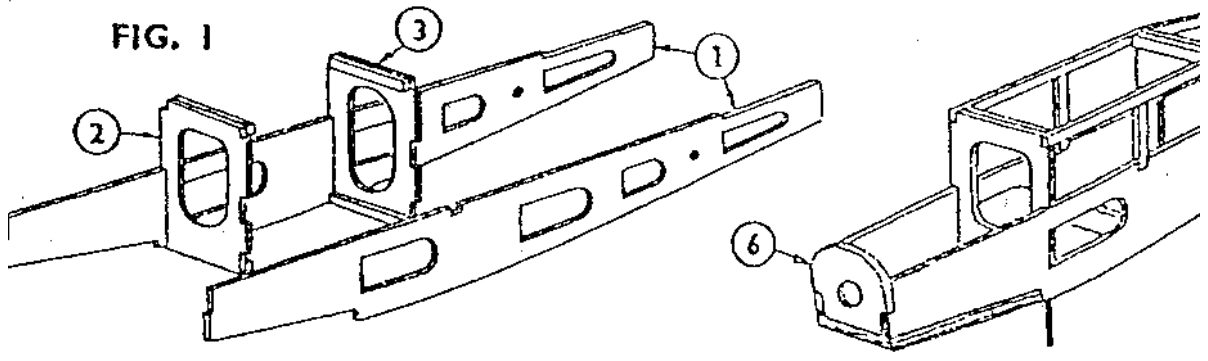
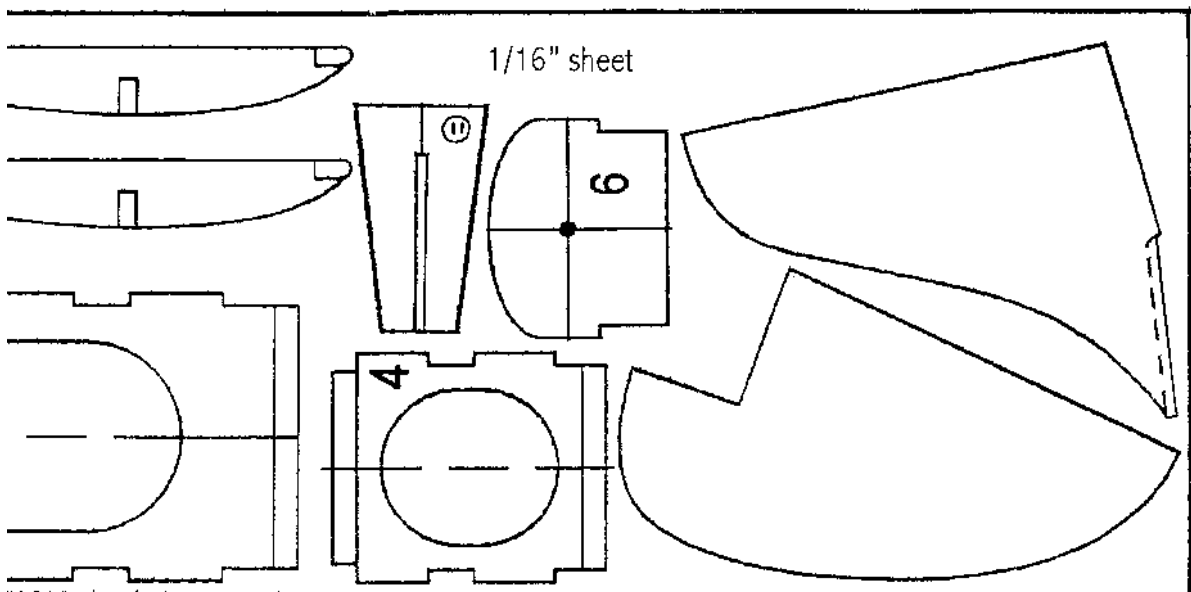
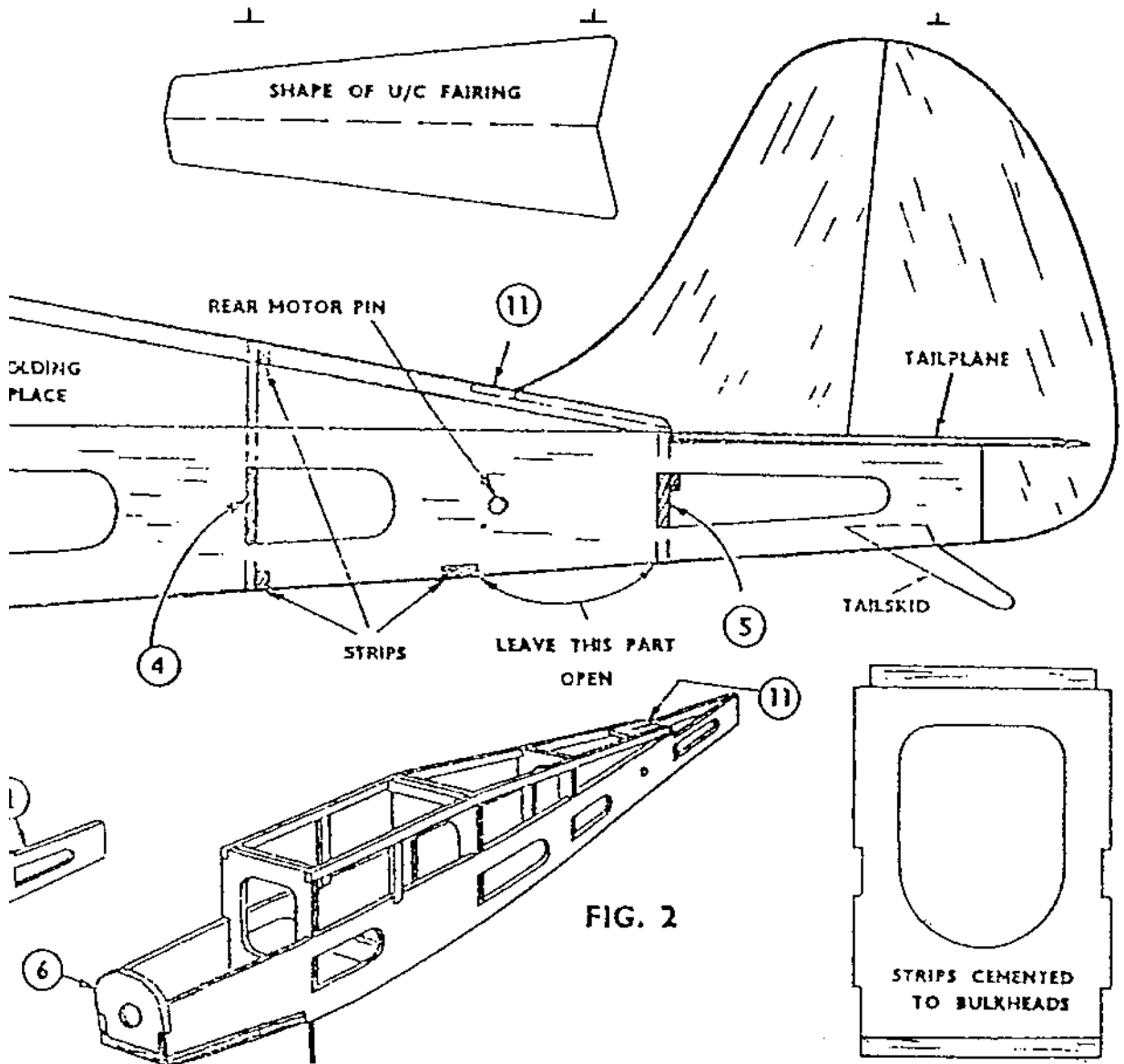


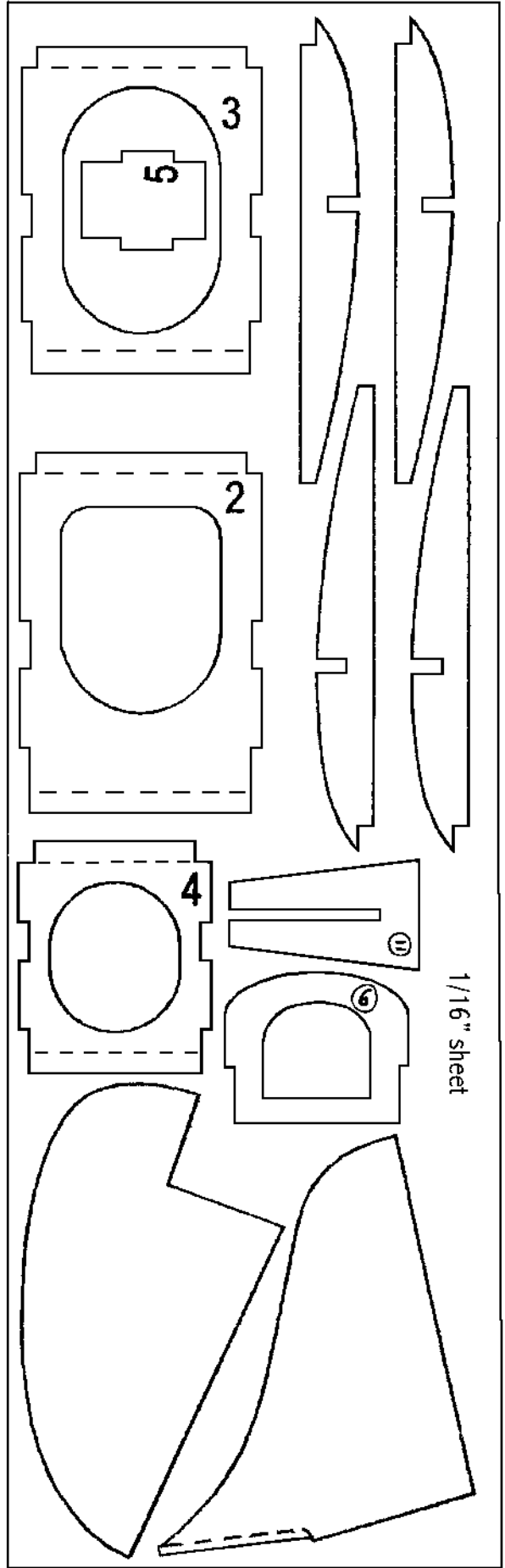
FIG. 1



18' SPAN  
RUBBER-POWERED

Cat. No.  
628 FK





T

T

T

T

T

T

T

T

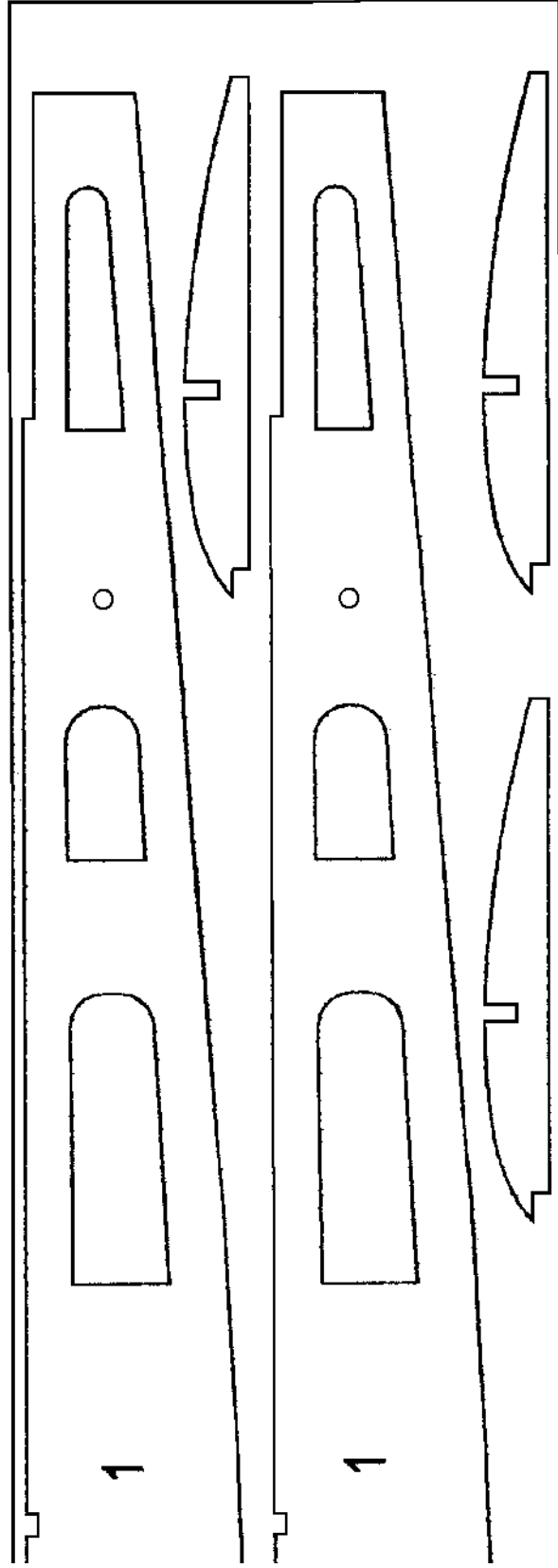
T

T

T

T

+



1

1

ing Parts Layout for Printout on 8-1/2" x 11" Paper. Page 1 of 3  
uld measure 3" x 13". Use 1/16" thick Balsa

+

T

T

T

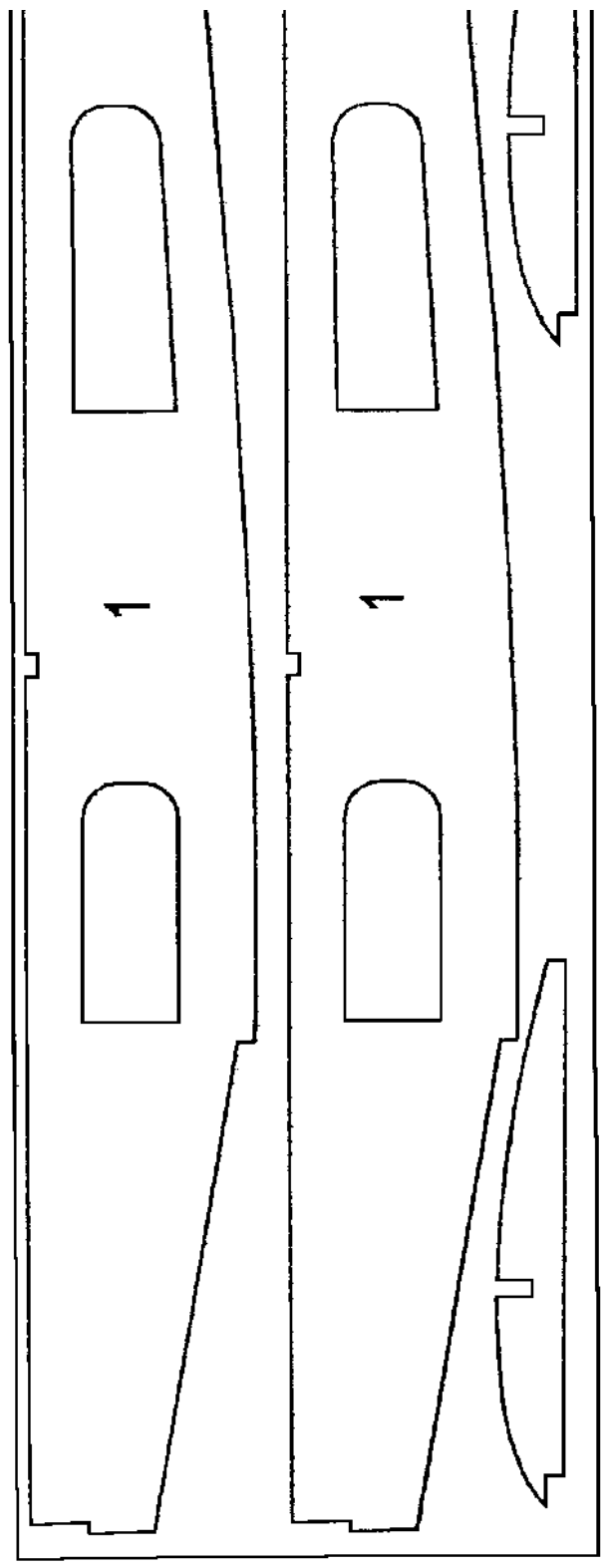
T

T

T

T

T



**Frog Redwing Parts Layout for Printout on 8-1/2"  
Printout should measure 3" x 13". Use 1/16" thi**

T

T

T