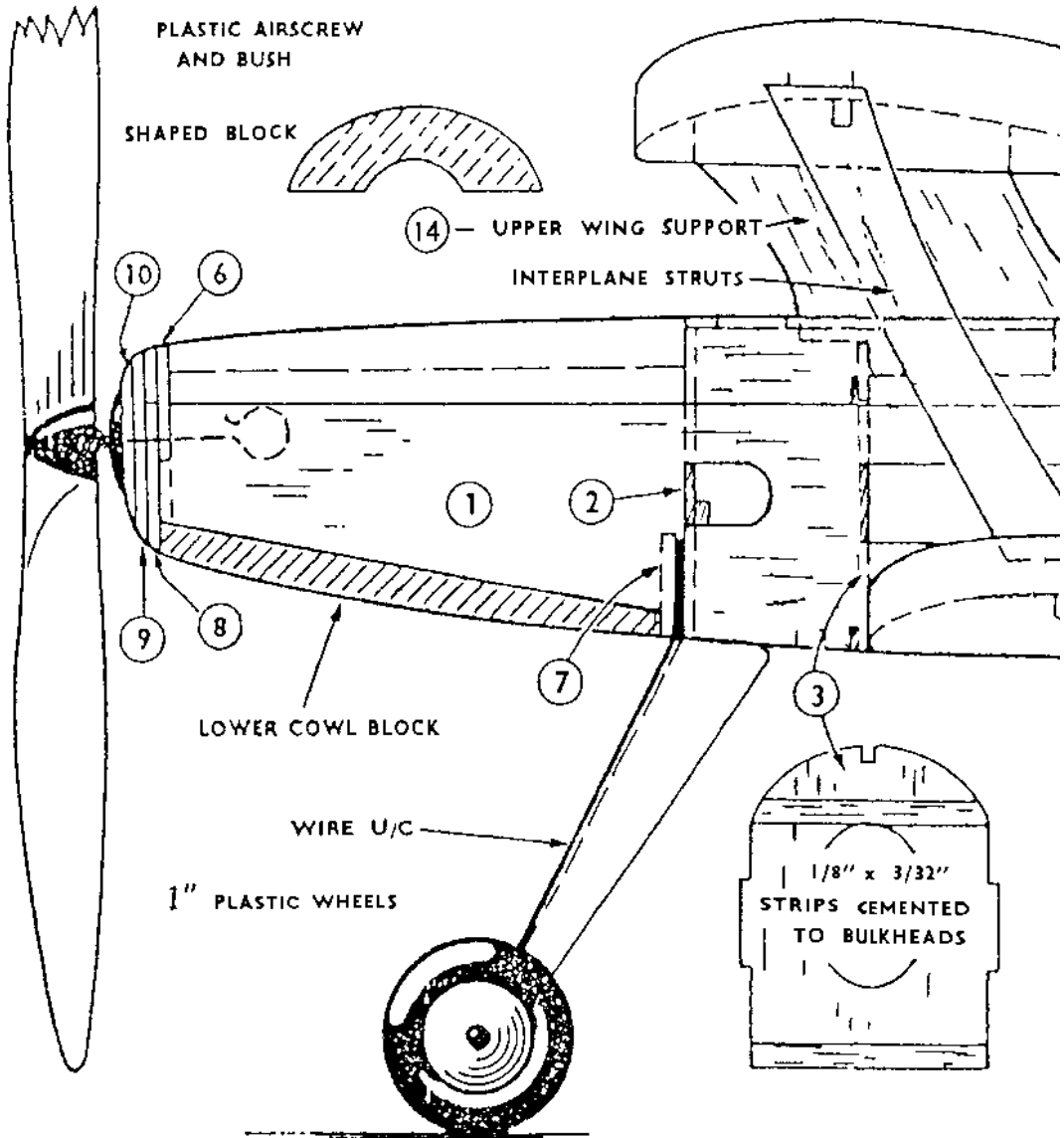


# FROG

# "TOMT



⊥

⊥

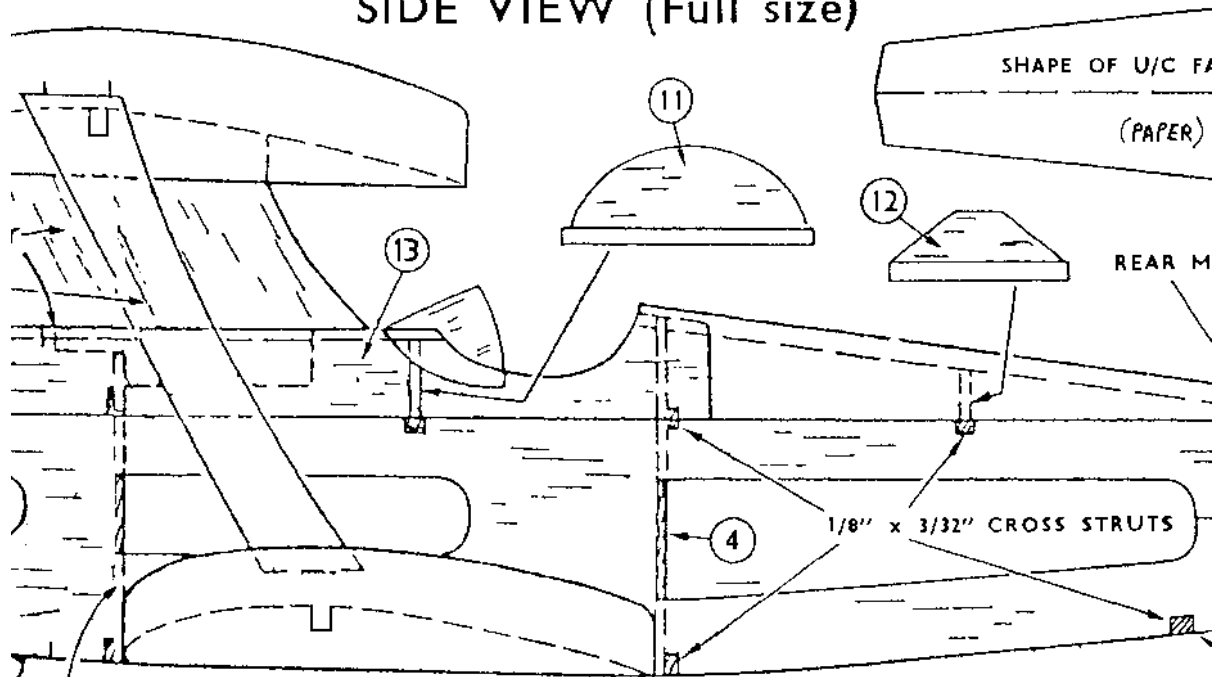
⊥

⊥

# DMTIT''

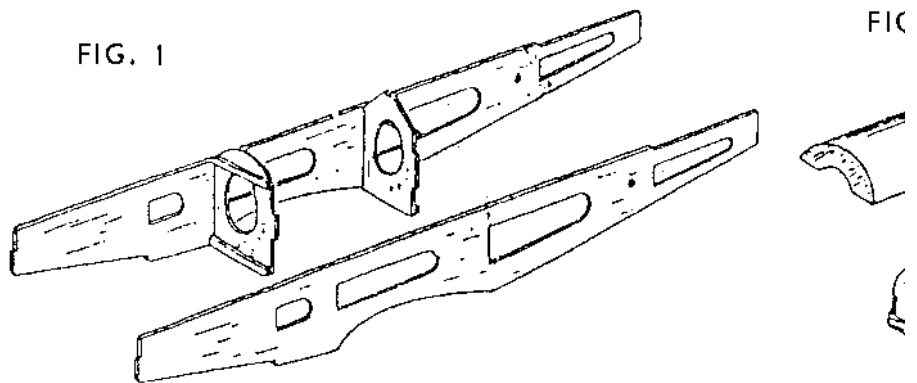
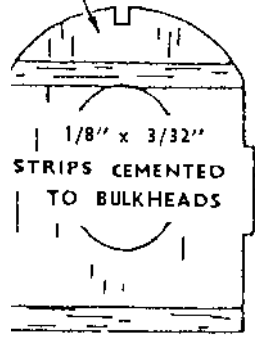
## 18" SPAN RUBBER-POWER

SIDE VIEW (Full size)



LEA  
FIG

FIG. 1



⊥ ⊥ ⊥

18" SPAN  
JBBER-POWERED

Cat. No.  
630 FK

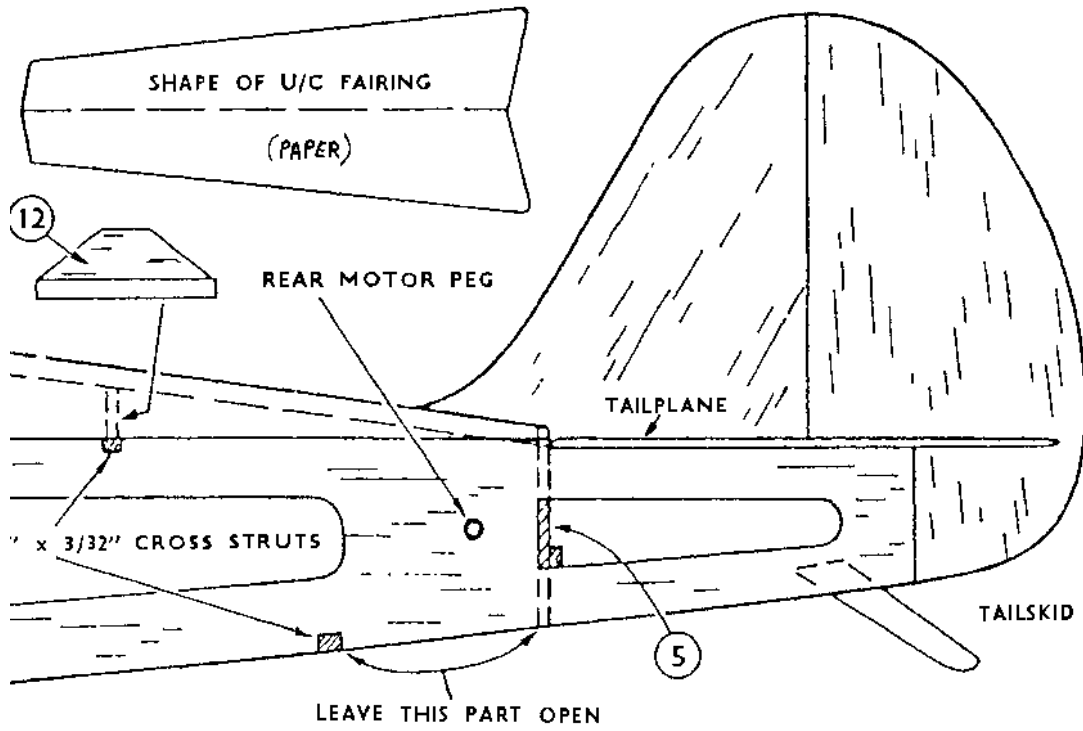
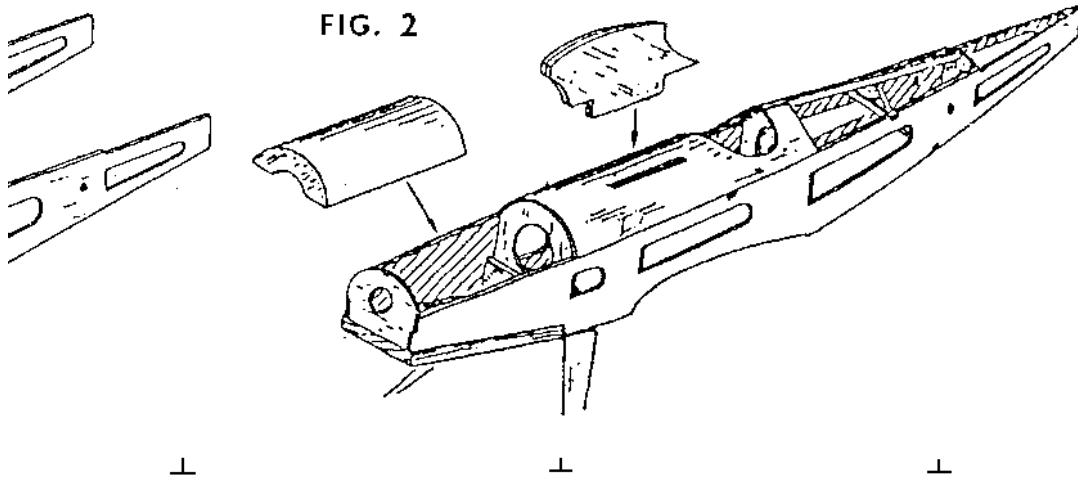
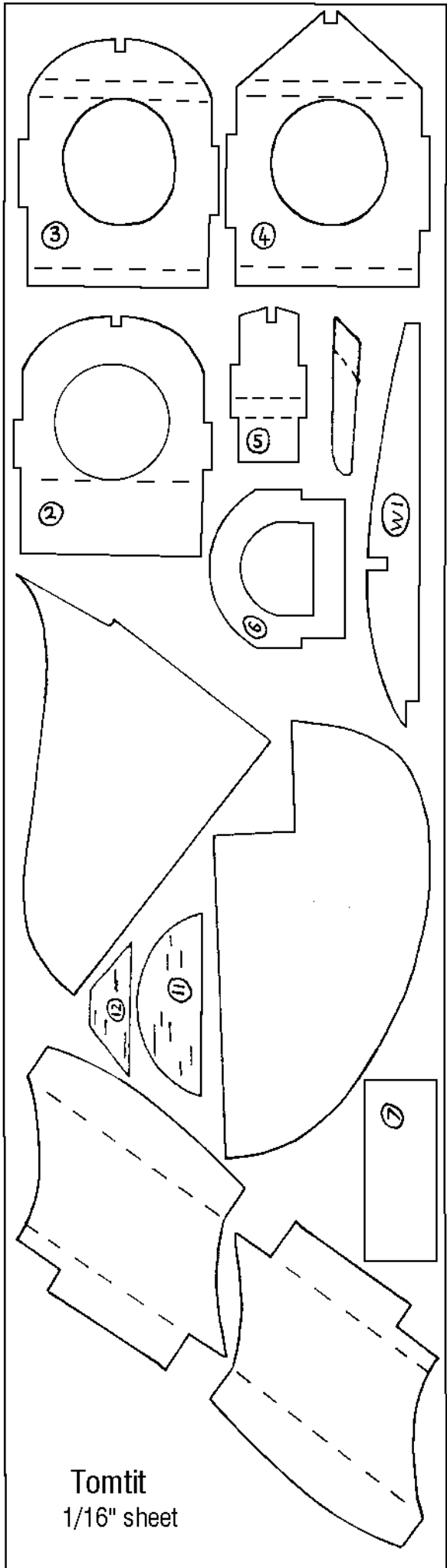


FIG. 2



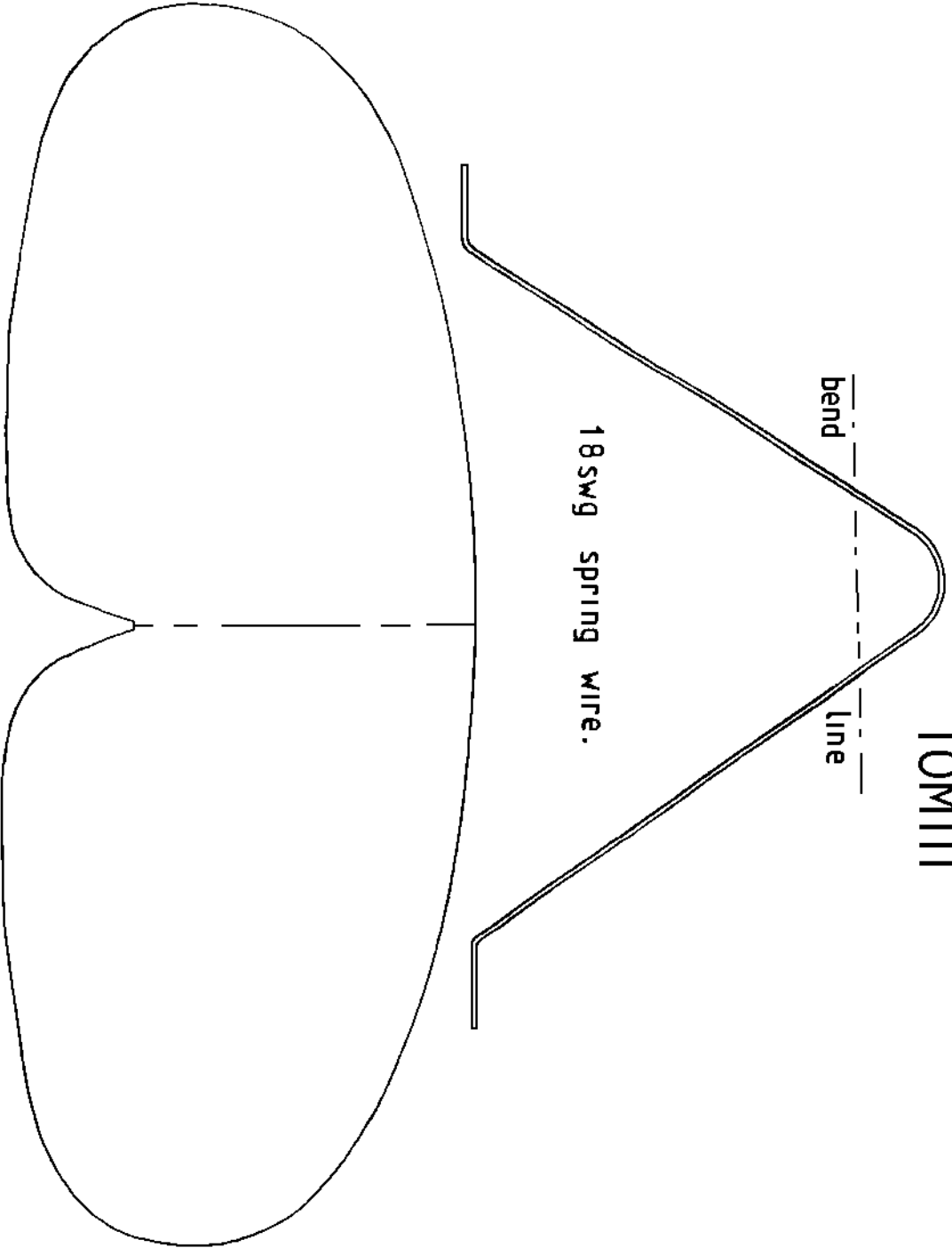


+ T T T T T T

# TOMTIT

bend line

18swg spring wire.



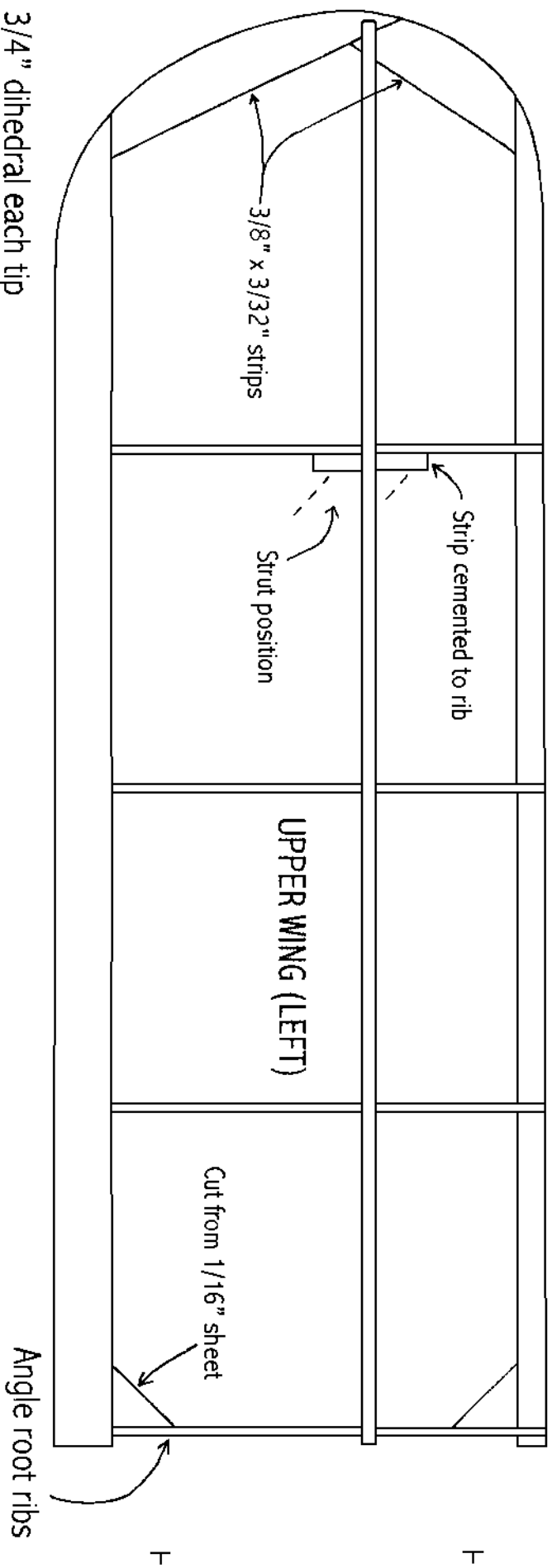
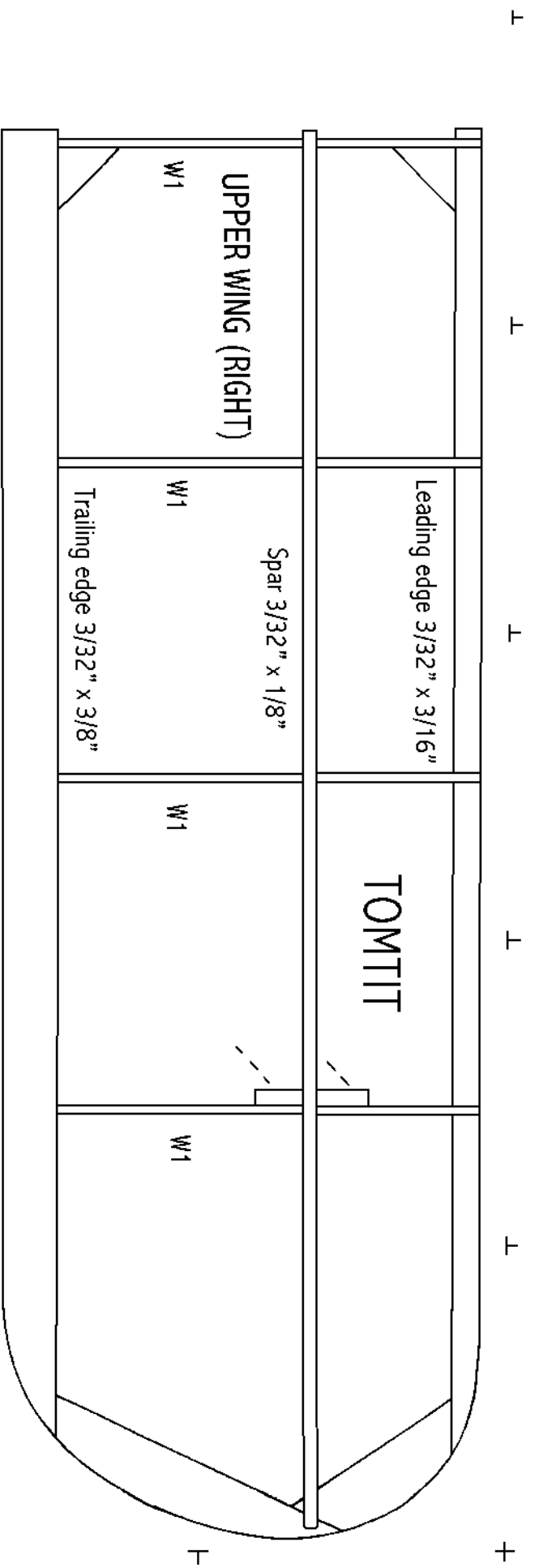
Tailplane

1/16" sheet balsa

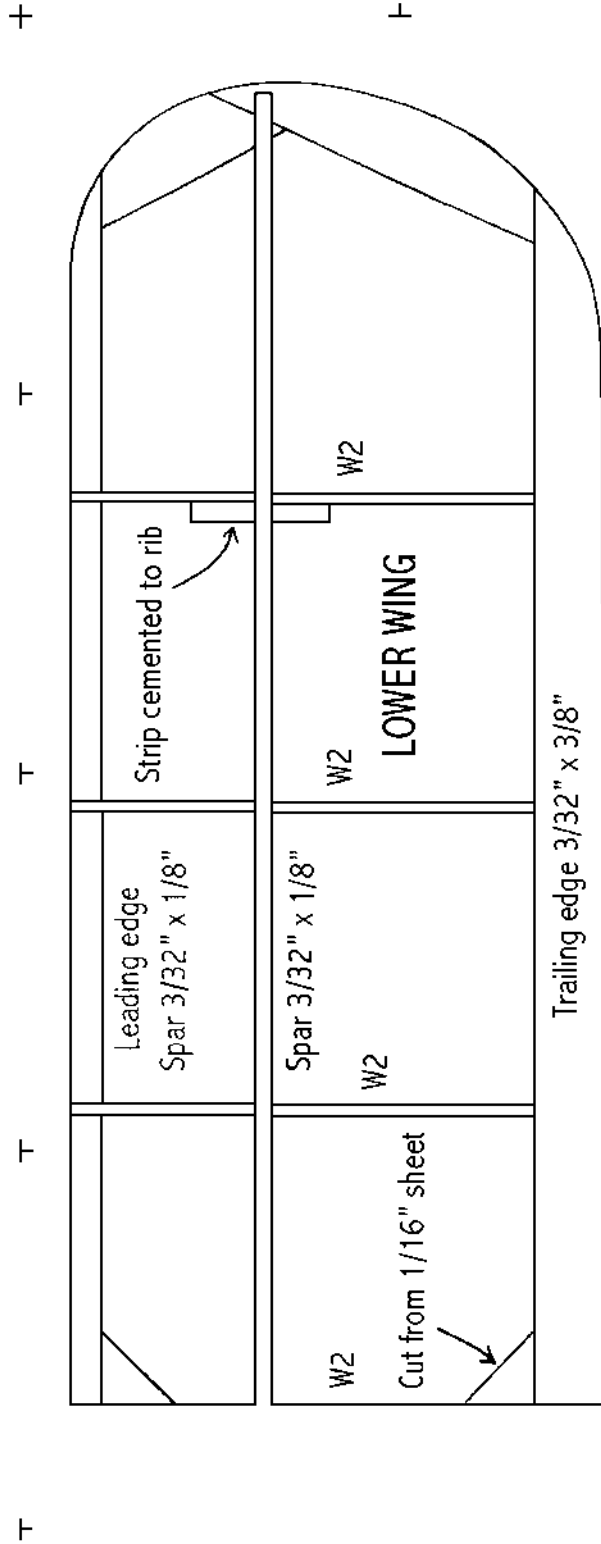
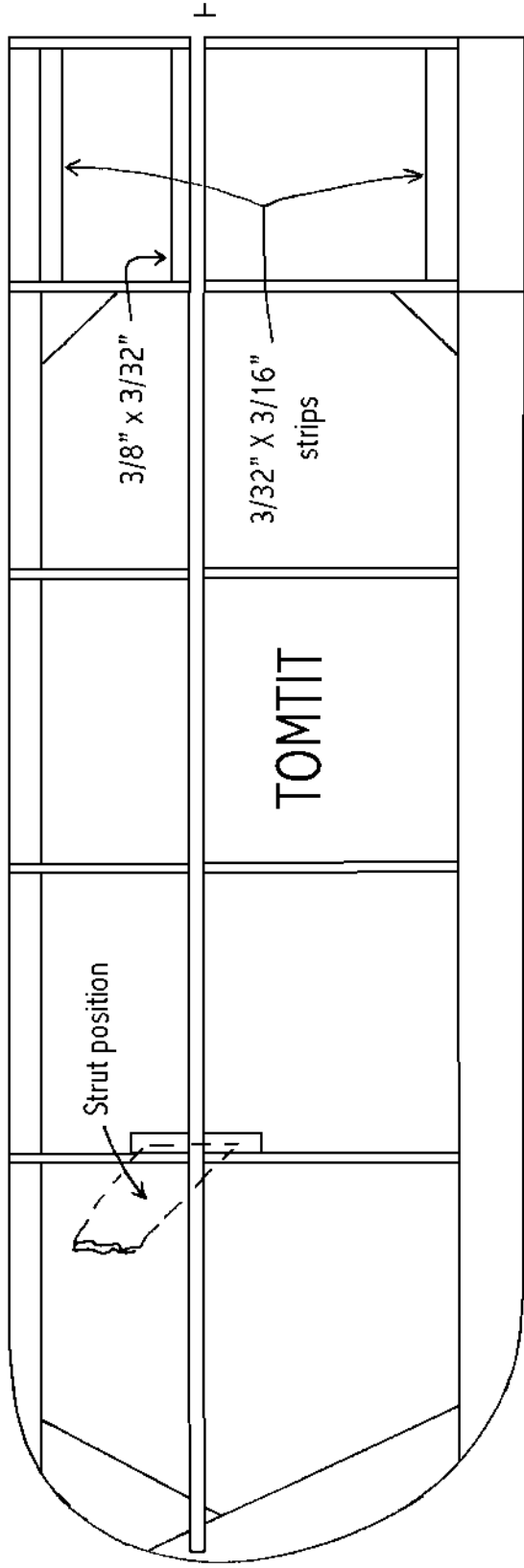
T

T

T



3/4" dihedral each tip

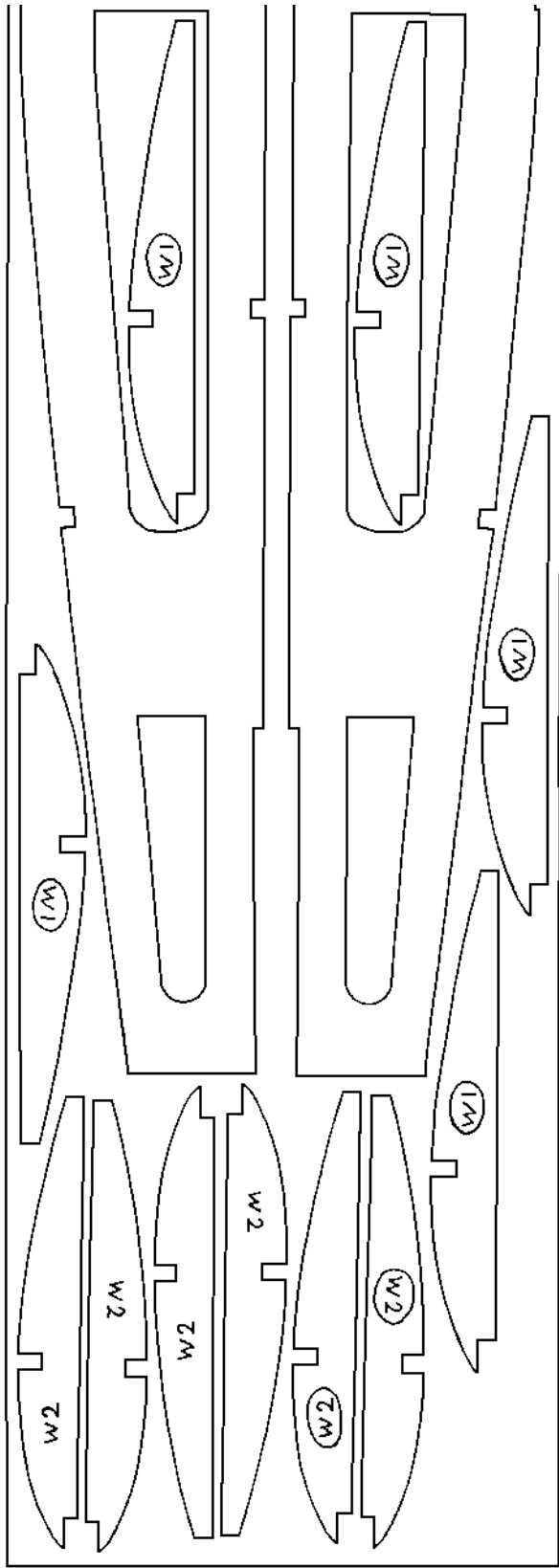


5/8" dihedral each tip





T



T

+

T

T

T

T

T