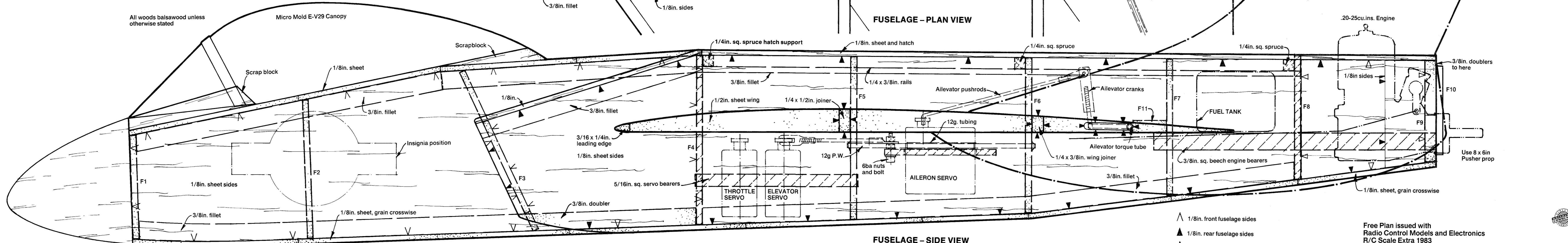
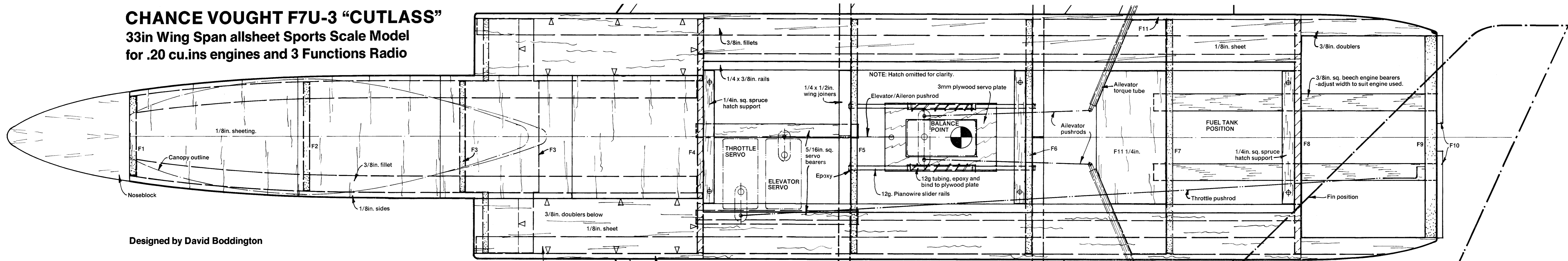


CHANCE VOUGHT F7U-3 "CUTLASS"

33in Wing Span allsheet Sports Scale Model
for .20 cu.ins engines and 3 Functions Radio

Designed by David Boddington

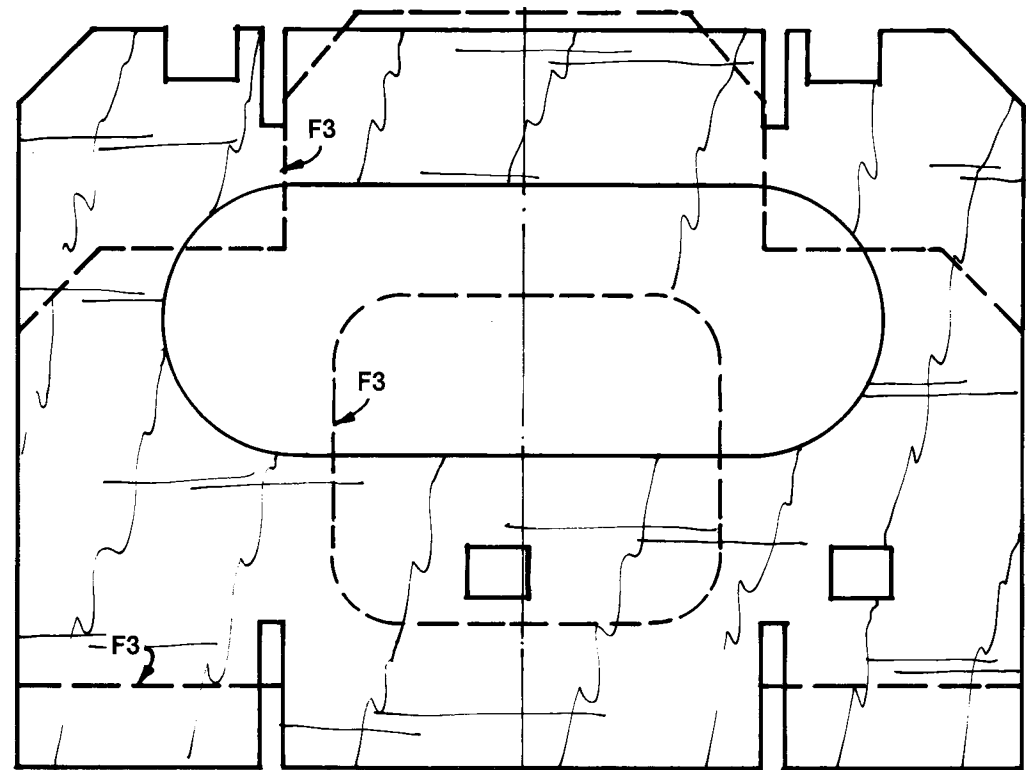
All woods balsawood unless otherwise stated



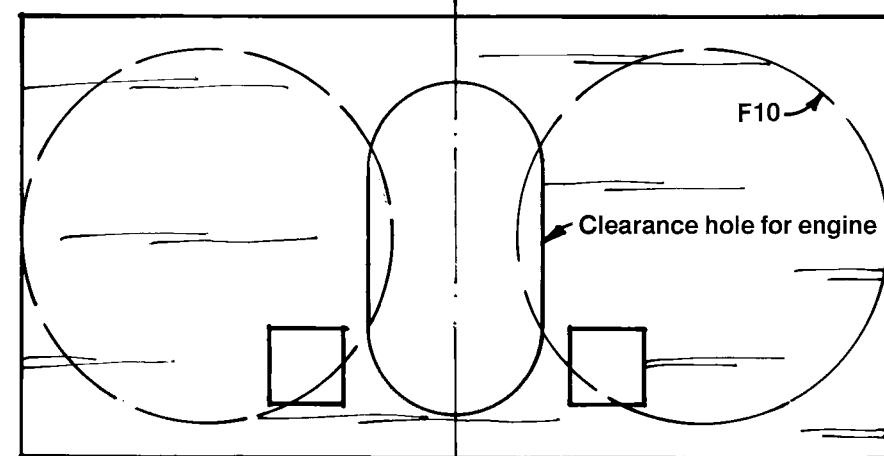
- ▲ 1/8in. front fuselage sides
- ▲ 1/8in. rear fuselage sides
- ▲ 3/8in. doublers

Free Plan issued with
Radio Control Models and Electronics
R/C Scale Extra 1983

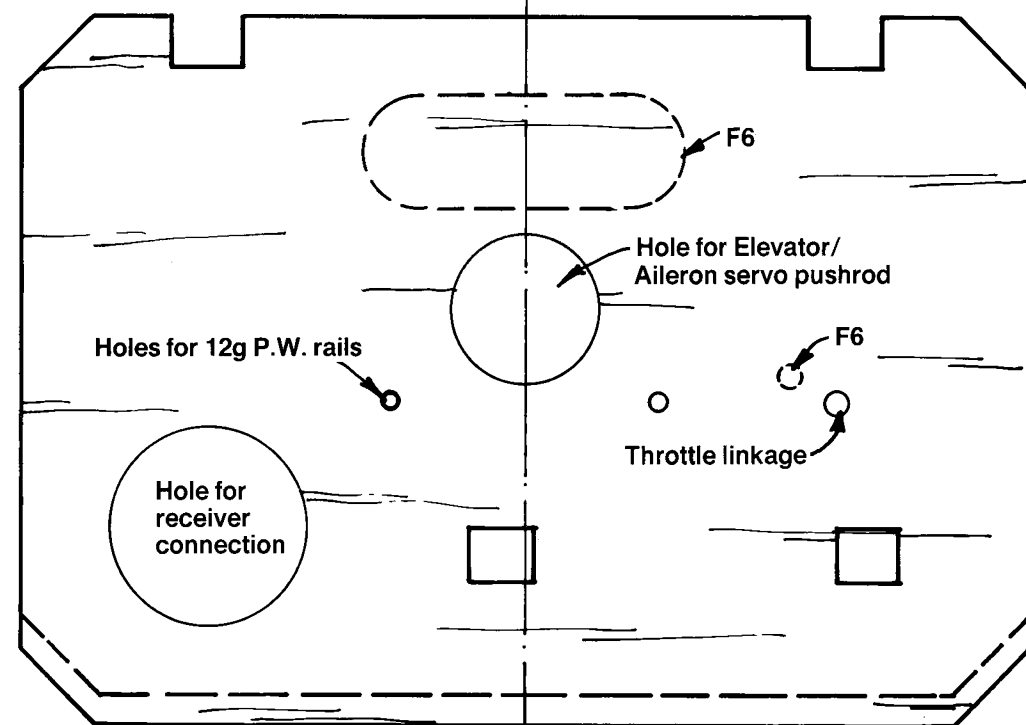




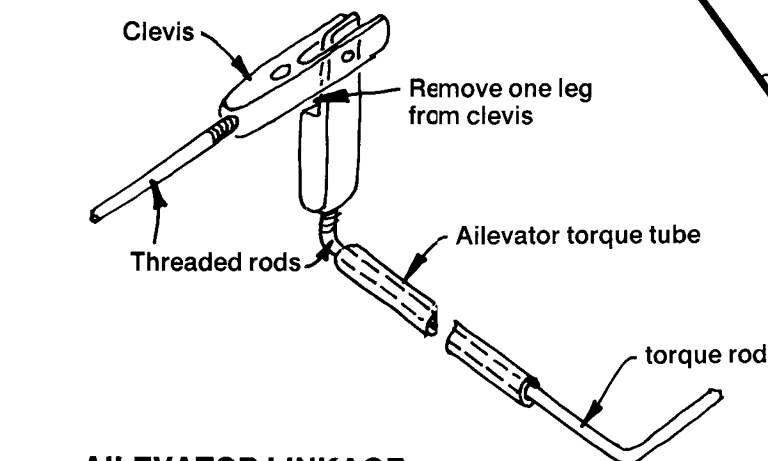
F3(dotted) 1/8in. F4 laminations .4mm ply/3/32in/.4mm ply



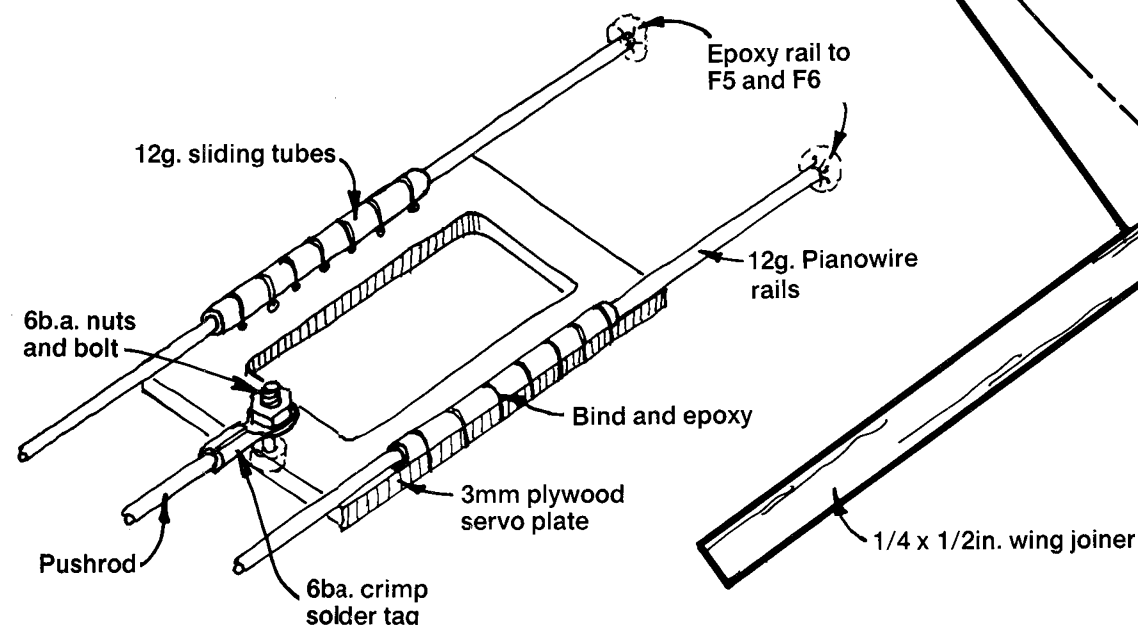
F9 1/4in. F10 (Dotted) 1/8in.



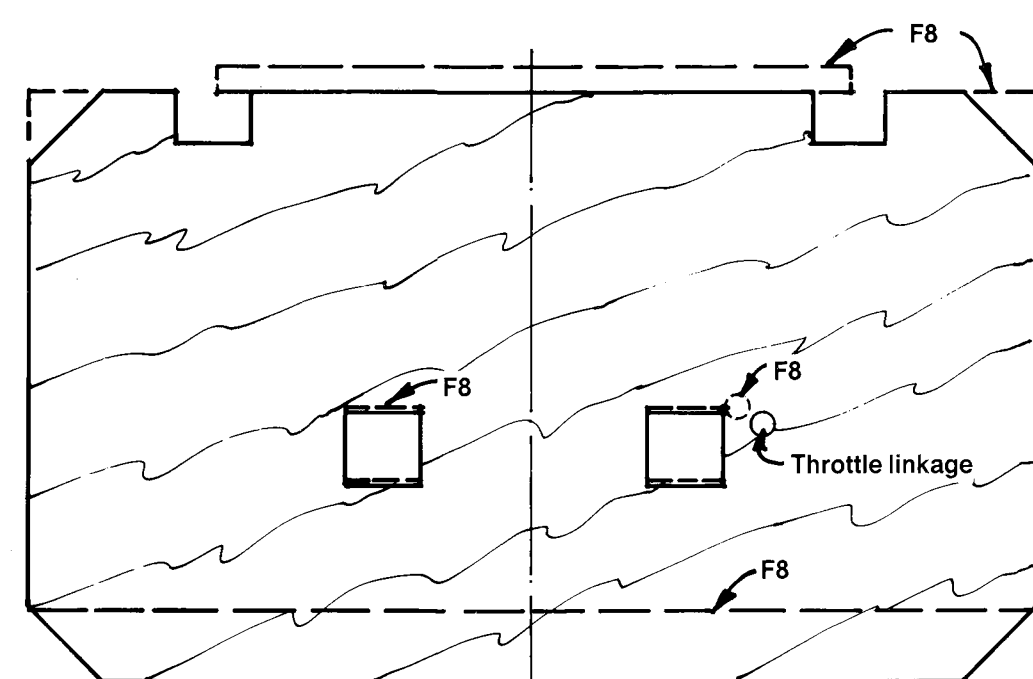
F5 1/8in F6 (Dotted) 1/8in.



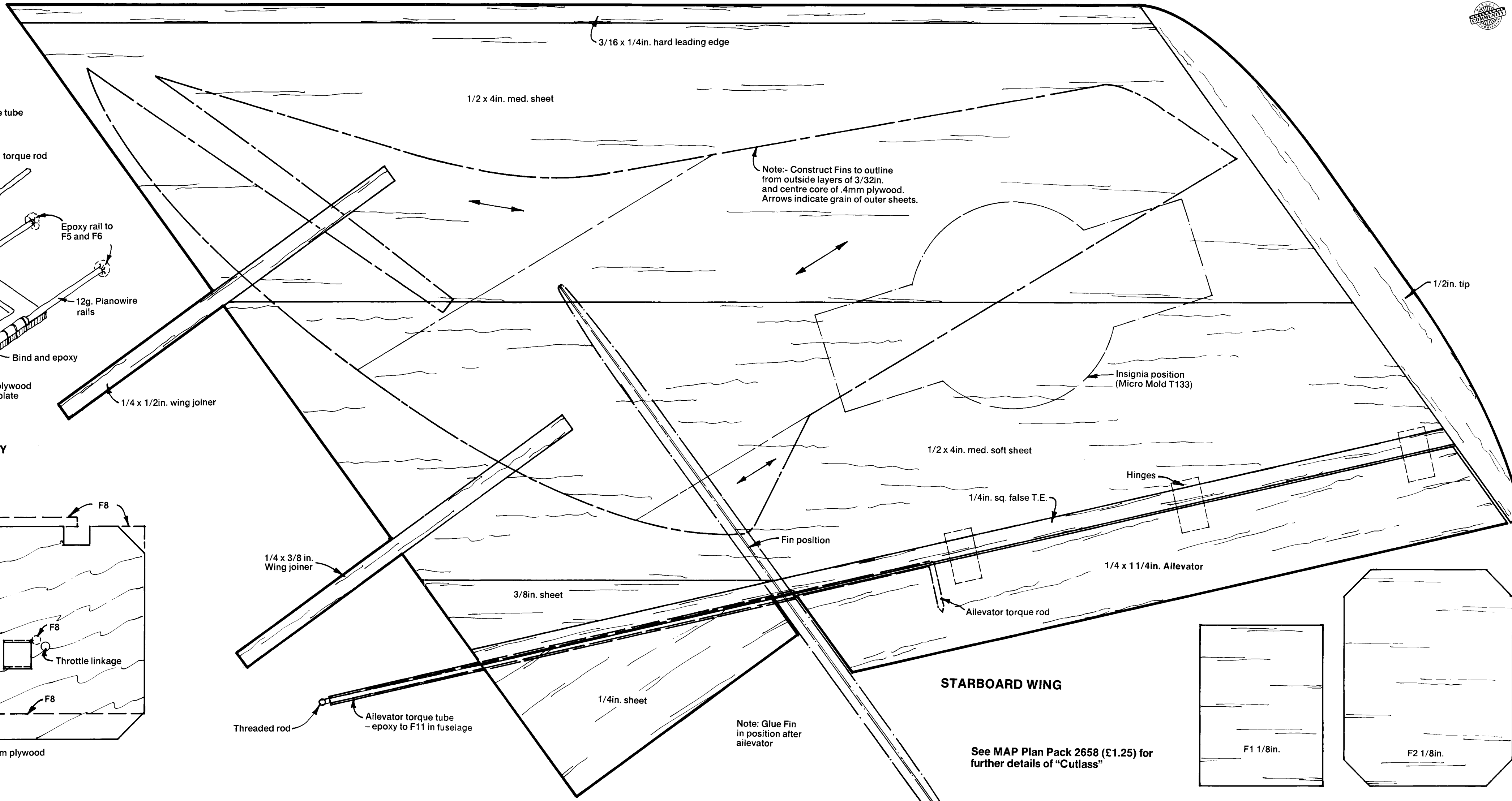
AILEVATOR LINKAGE



SLIDING AILERON SERVO ASSEMBLY

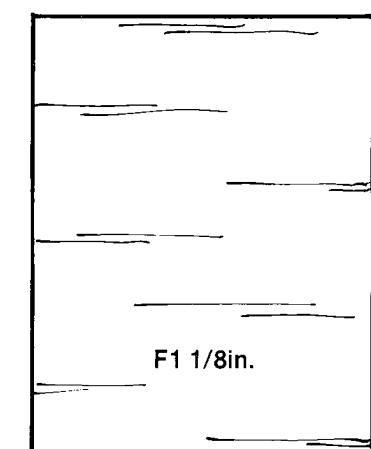


F7 1/8in. F8 (Dotted) 3mm plywood

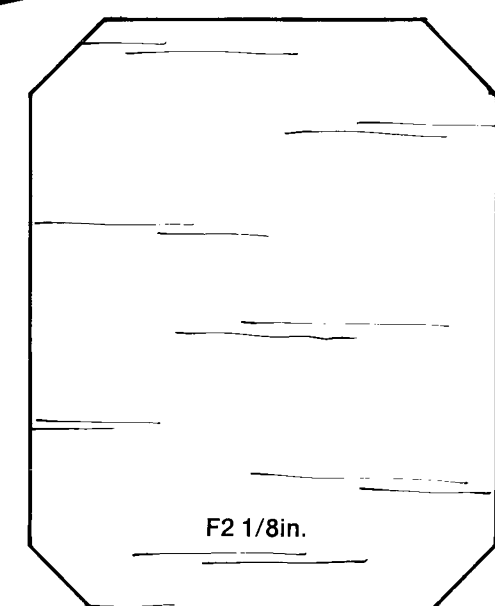


STARBOARD WING

See MAP Plan Pack 2658 (£1.25) for further details of "Cutlass"



F1 1/8in.



F2 1/8in.