

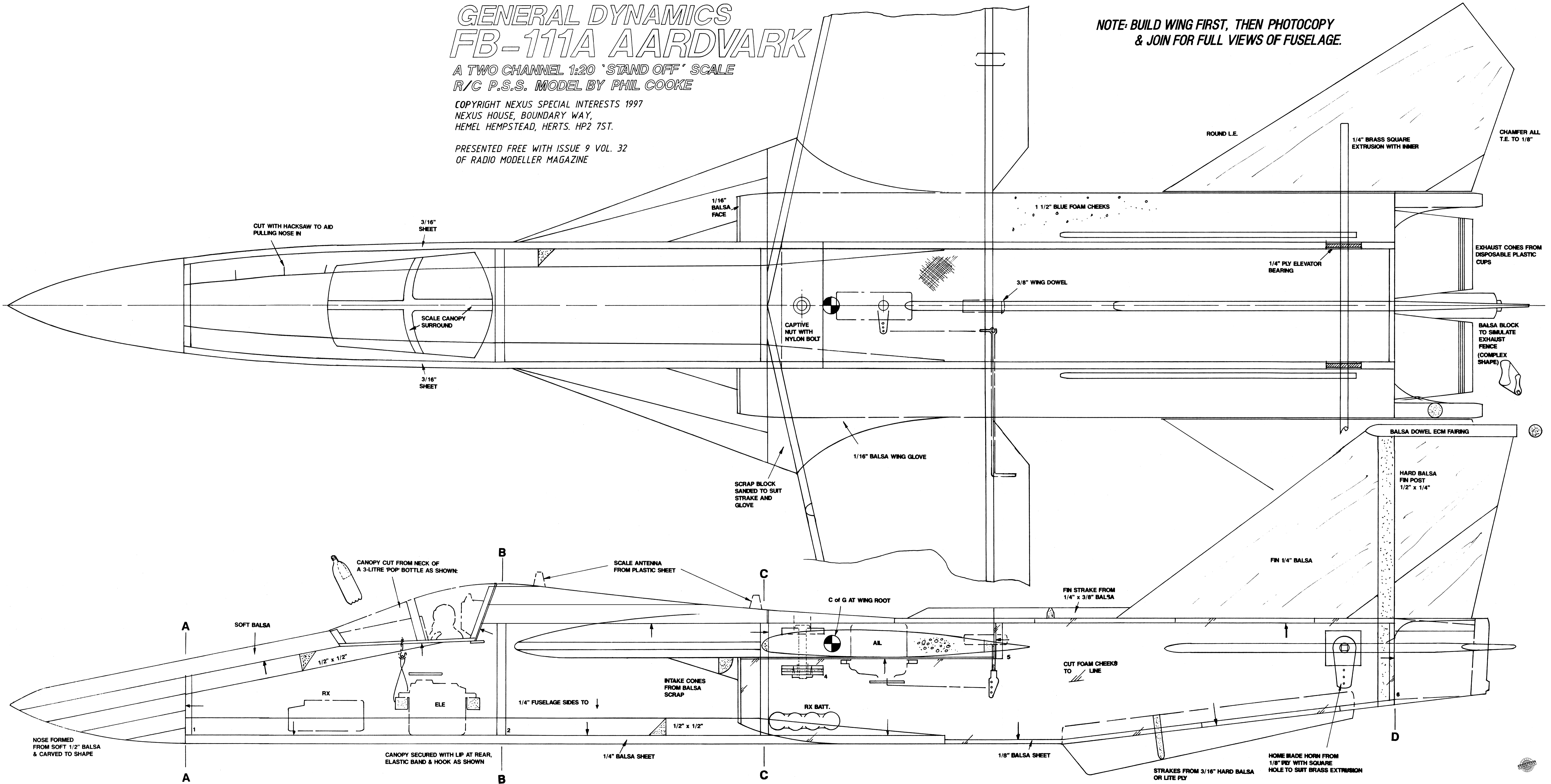
# GENERAL DYNAMICS FB-111A AARDVARK

A TWO CHANNEL 1:20 'STAND OFF' SCALE  
R/C P.S.S. MODEL BY PHIL COOKE

COPYRIGHT NEXUS SPECIAL INTERESTS 1997  
NEXUS HOUSE, BOUNDARY WAY,  
HEMEL HEMPSTEAD, HERTS. HP2 7ST.

PRESENTED FREE WITH ISSUE 9 VOL. 32  
OF RADIO MODELLER MAGAZINE

NOTE: BUILD WING FIRST, THEN PHOTOCOPY  
& JOIN FOR FULL VIEWS OF FUSELAGE.



NOSE FORMED FROM SOFT 1/2\" Balsa & CARVED TO SHAPE

A

SOFT Balsa

RX

ELE

CANOPY SECURED WITH LIP AT REAR, ELASTIC BAND & HOOK AS SHOWN

1/4\" FUSELAGE SIDES TO

B

1/4\" Balsa SHEET

INTAKE CONES FROM Balsa SCRAP

RX BATT.

C

C of G AT WING ROOT

AIL

1/8\" Balsa SHEET

CUT FOAM CHEEKS TO LINE

STRAKES FROM 3/16\" HARD Balsa OR LITE PLY

HOME MADE HORN FROM 1/8\" PLY WITH SQUARE HOLE TO SUIT BRASS EXTRUSION

D

CUT WITH HACKSAW TO AID PULLING NOSE IN

3/16\" SHEET

3/16\" SHEET

SCALE CANOPY SURROUND

1/16\" Balsa FACE

CAPTIVE NUT WITH NYLON BOLT

3/8\" WING DOWEL

1 1/2\" BLUE FOAM CHEEKS

ROUND L.E.

1/4\" BRASS SQUARE EXTRUSION WITH INNER

CHAMFER ALL T.E. TO 1/8\"

EXHAUST CONES FROM DISPOSABLE PLASTIC CUPS

1/4\" PLY ELEVATOR BEARING

Balsa BLOCK TO SIMULATE EXHAUST FENCE (COMPLEX SHAPE)

Balsa DOWEL ECM FAIRING

HARD Balsa FIN POST 1/2\" x 1/4\"

FIN 1/4\" Balsa

FIN STRAKE FROM 1/4\" x 3/8\" Balsa

CANOPY CUT FROM NECK OF A 3-LITRE POP BOTTLE AS SHOWN

SCALE ANTENNA FROM PLASTIC SHEET

1/16\" Balsa WING GLOVE

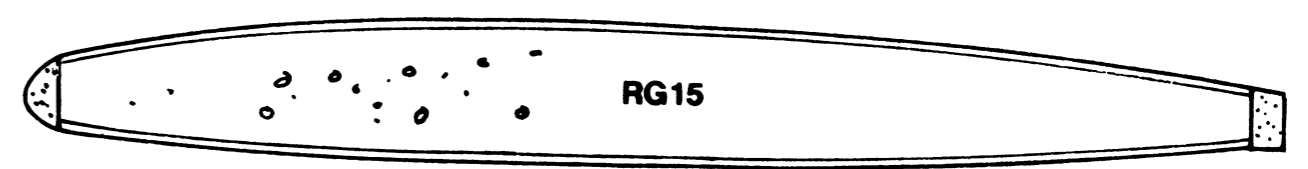
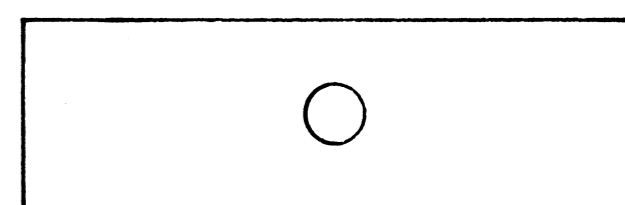
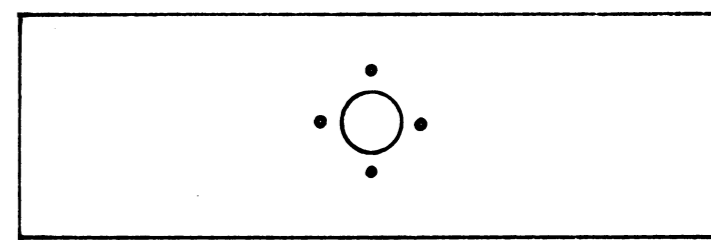
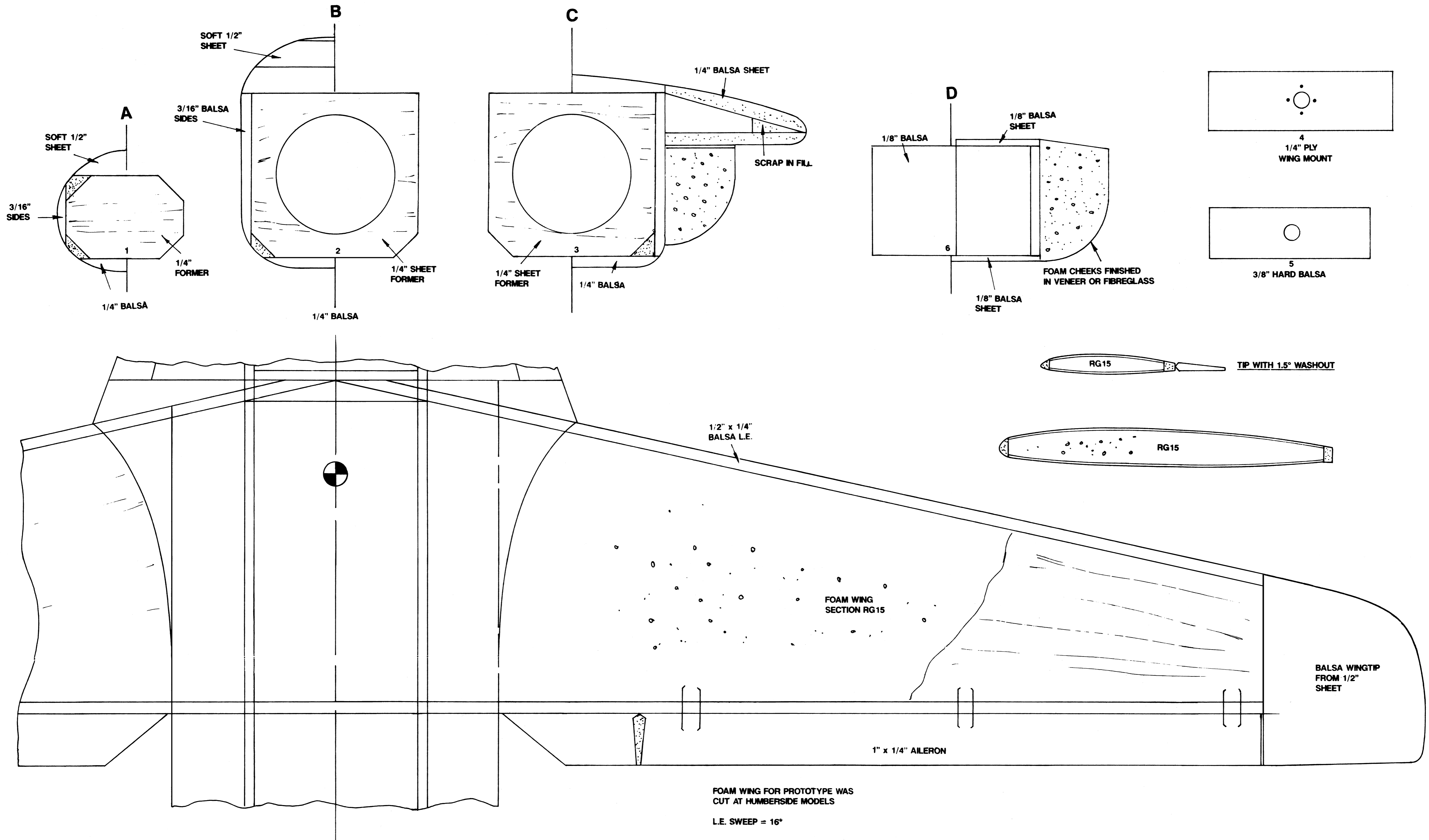
SCRAP BLOCK SANDED TO SUIT STRAKE AND GLOVE

A

B

C

D



FOAM WING FOR PROTOTYPE WAS CUT AT HUMBERSIDE MODELS  
 L.E. SWEEP = 16°