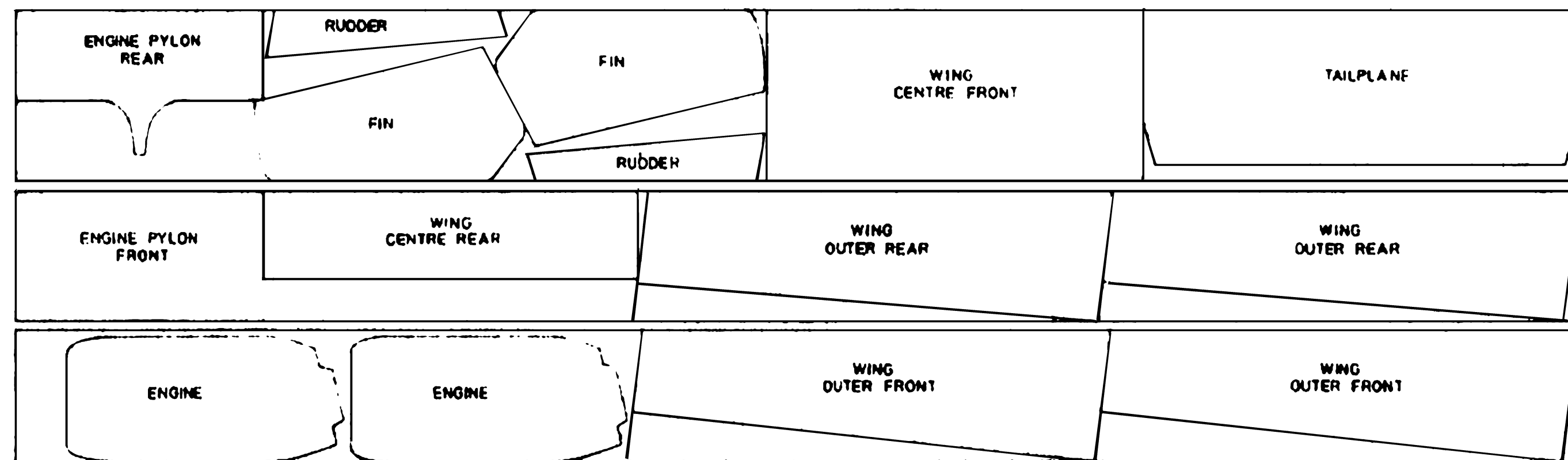
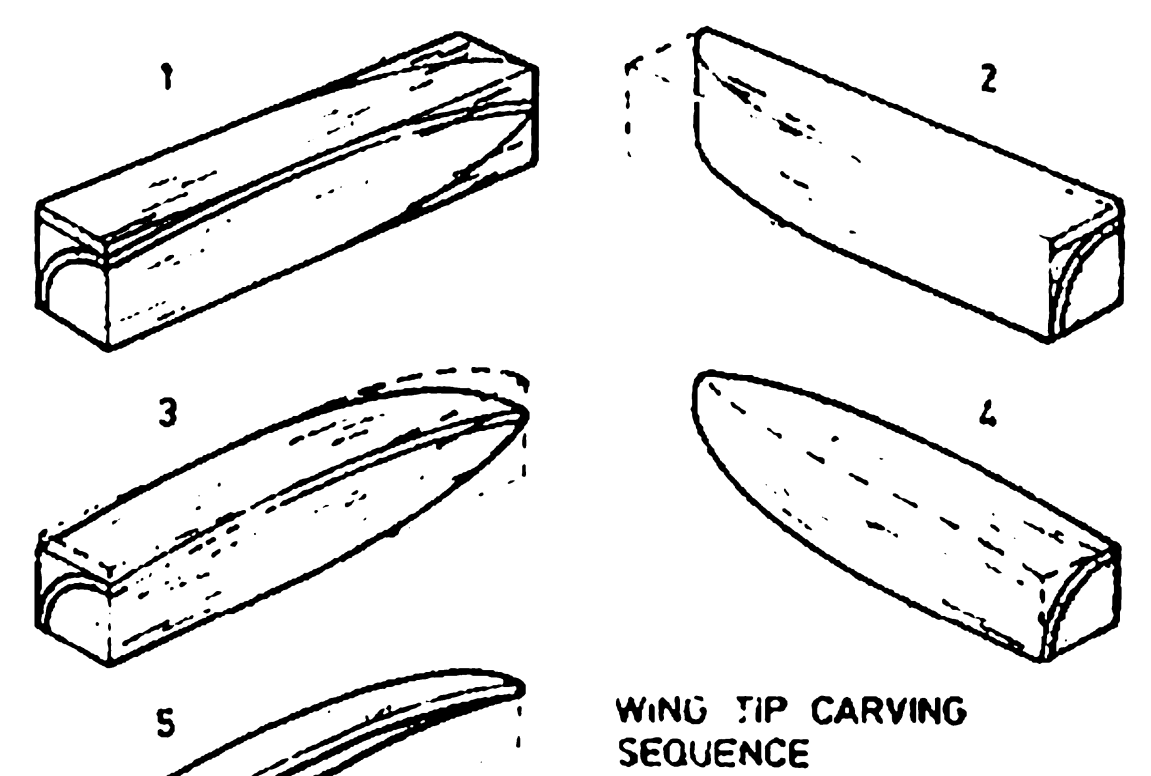


FAIRCHILD A-10A
 designed by
IAN EDLIN **80p**
The Aeromodeller Plans Service

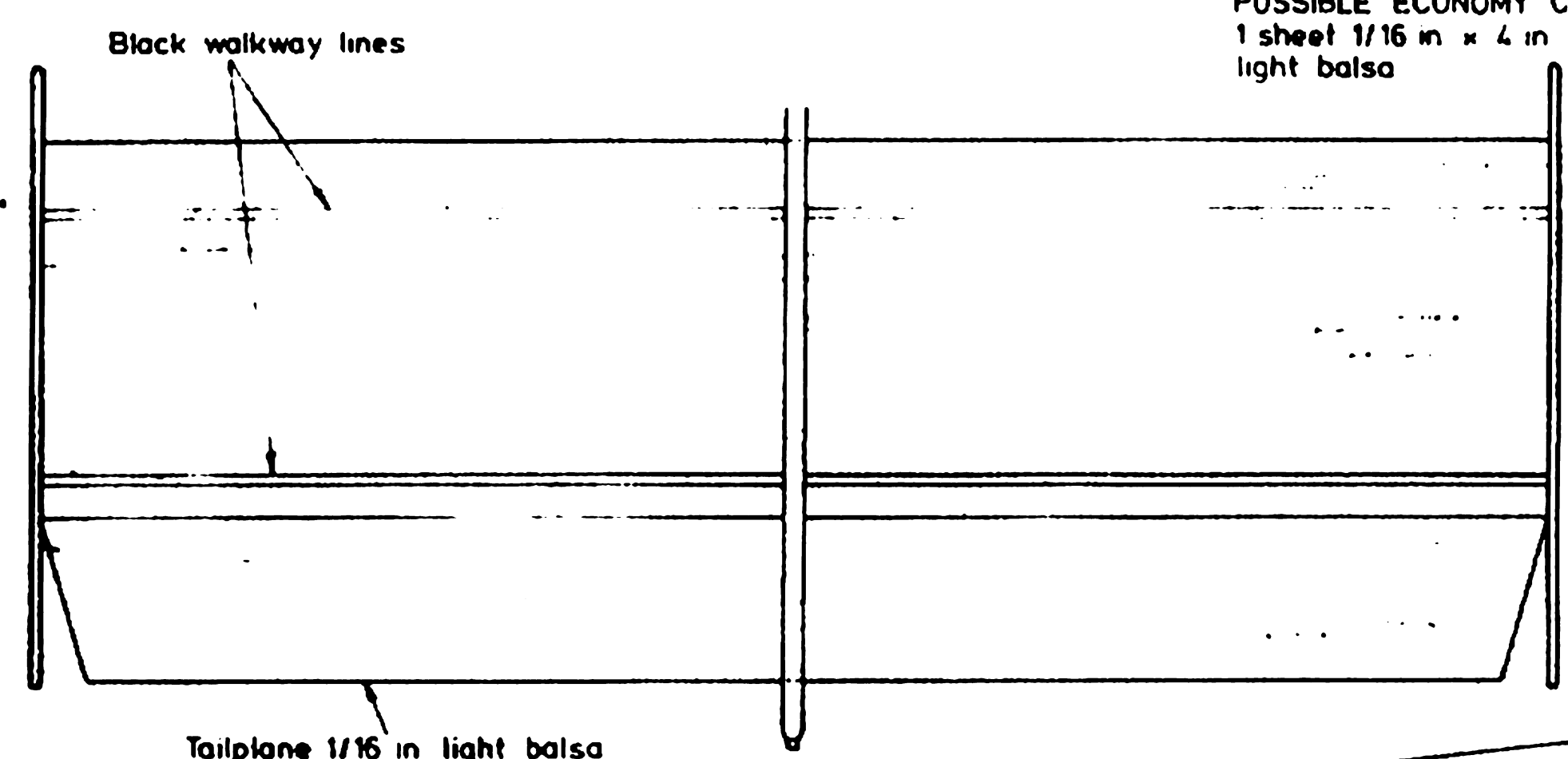
A 30 3/4 in SPAN ELECTRIC POWERED FREE FLIGHT
 PROFILE SCALE MODEL



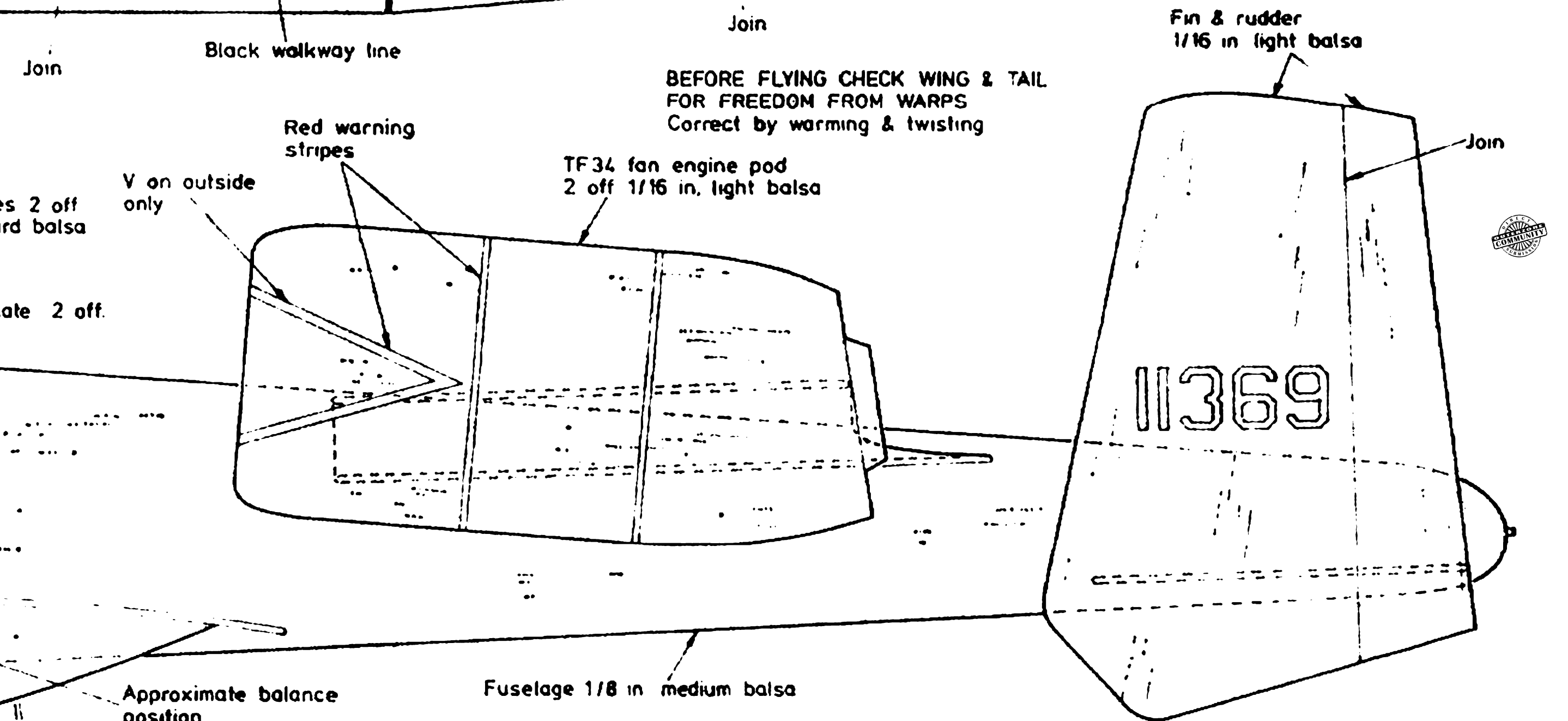
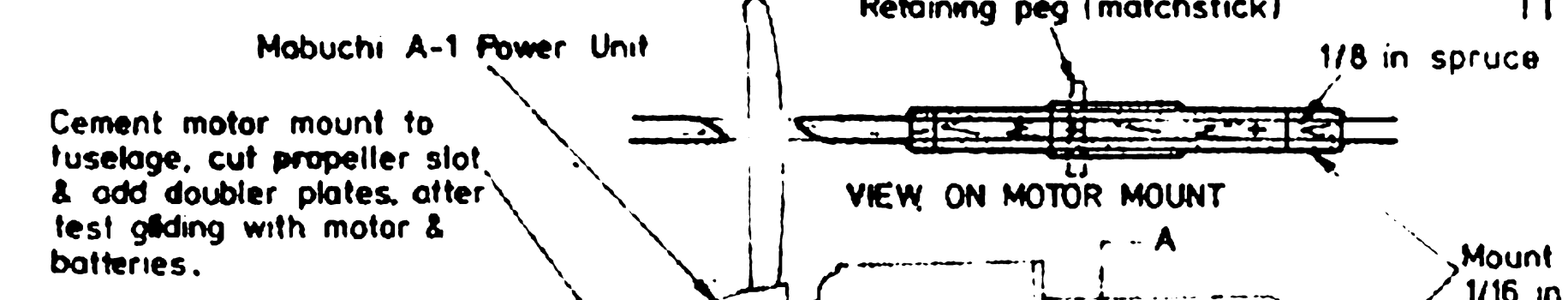
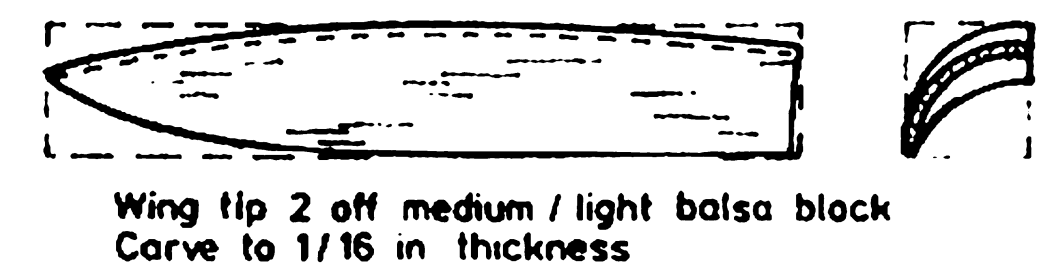
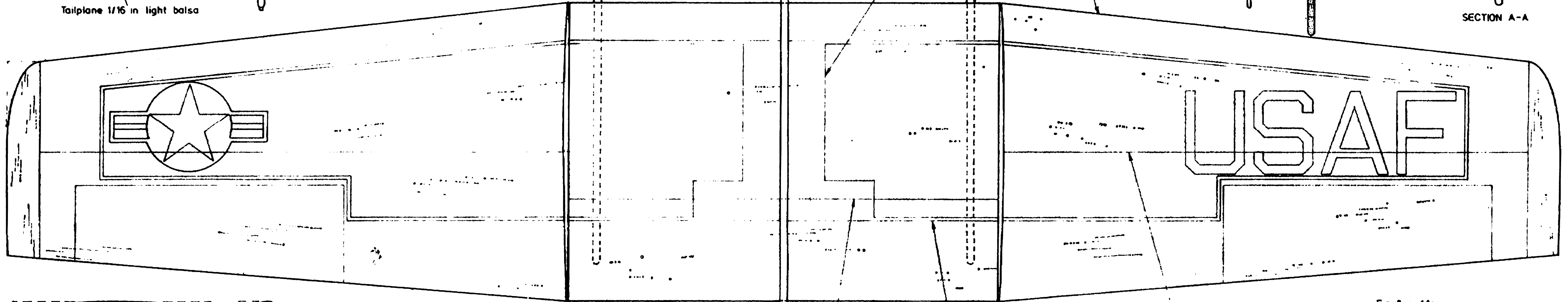
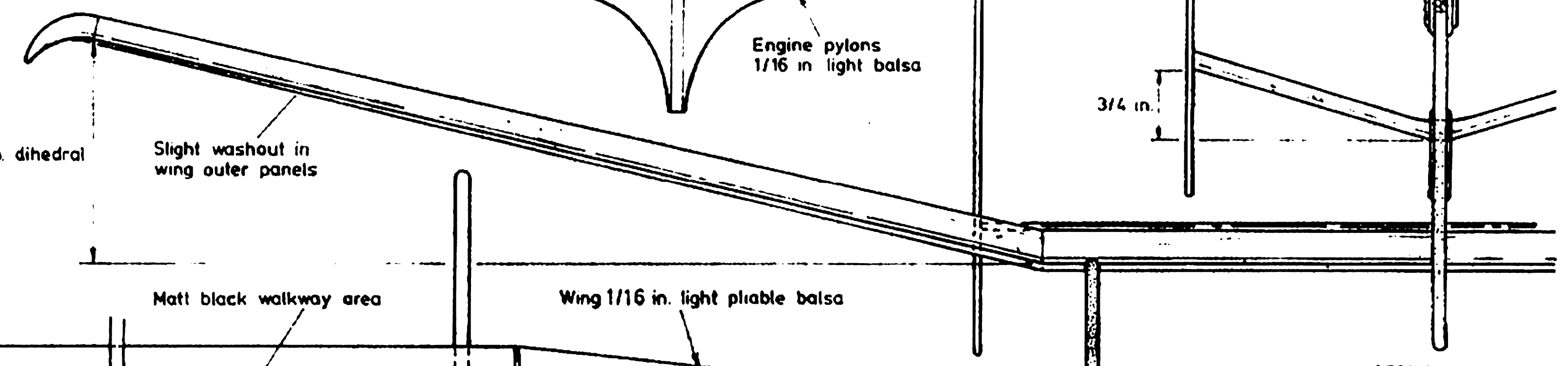
POSSIBLE ECONOMY CUTTING LAYOUT
 1 sheet 1/16 in x 4 in x 36 in & 2 sheets 1/16 in x 3 in x 36 in
 light balsa



FLYING - Fly only in calm weather. Test glide to obtain long, straight, flat glide. Sliding motor mount forward or aft and bending the rudders as necessary should provide adequate trim adjustment. Original model flew in wide left hand circles under power.

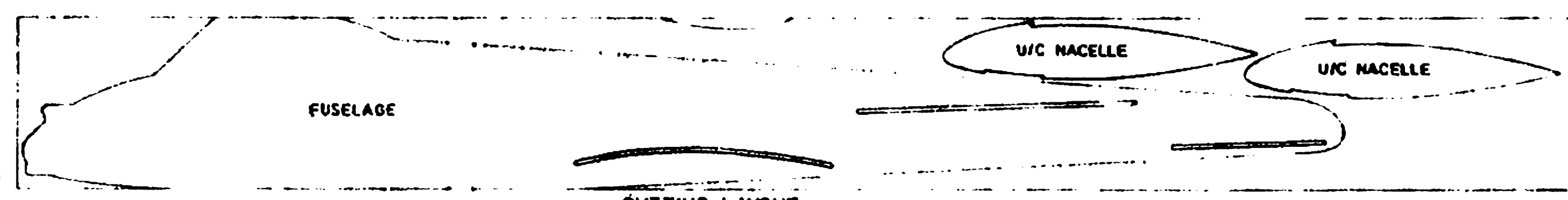
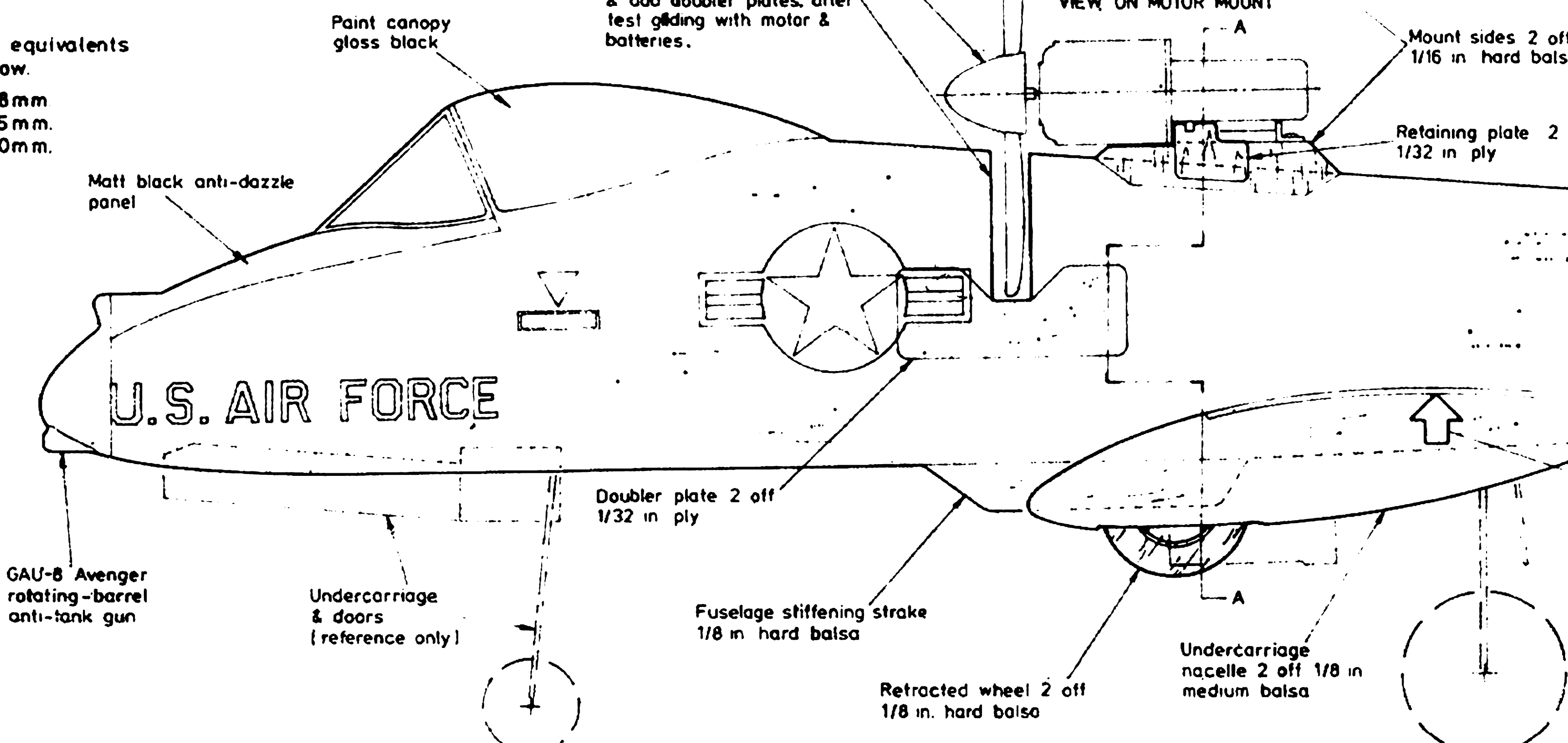


FINISHING
 ENGINE PYLONS & FINS - 1 coat sanding sealer.
 REMAINDER OF MODEL - 2 coats sanding sealer.
 Sand lightly between coats
 PAINTED DETAILS - Lightweight enamel



BEFORE FLYING CHECK WING & TAIL FOR FREEDOM FROM WARPS. Correct by warming & twisting.

NOTE - Nearest Metric equivalents are shown below.
 1/32 in - 0,8mm
 1/16 in - 1,5mm.
 1/8 in - 3,0mm.



CUTTING LAYOUT
 1 sheet 1/8 in x 4 in. x 36 in
 medium balsa