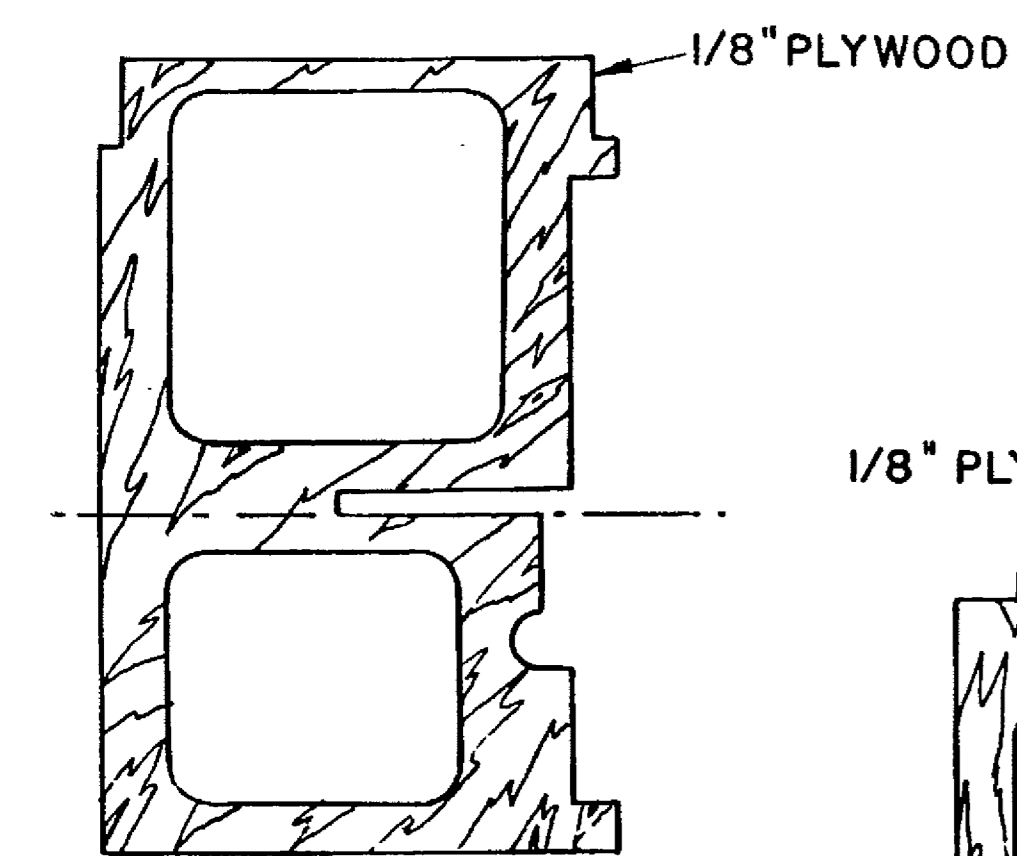
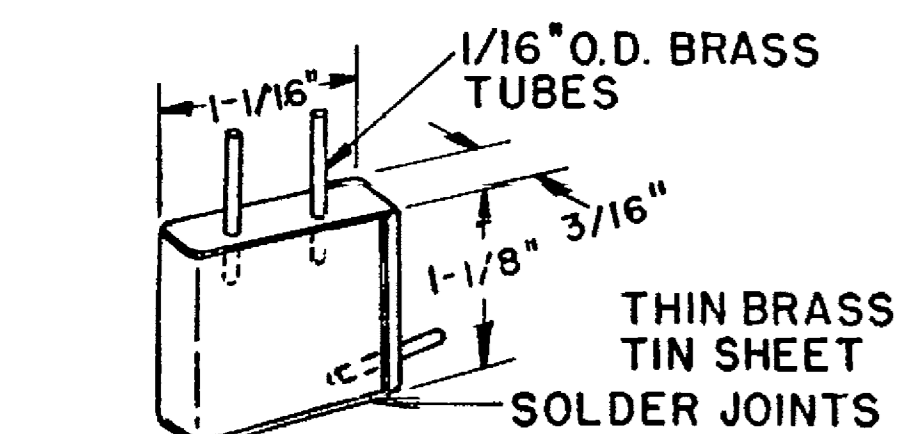


3-48 NUTS SOLDERED TO SHEET TIN
 SCALE INCHES
BODY ASSEMBLY
 BEFORE LINING SAME WITH ART PAPER

13 ENGINE MOUNT DETAIL

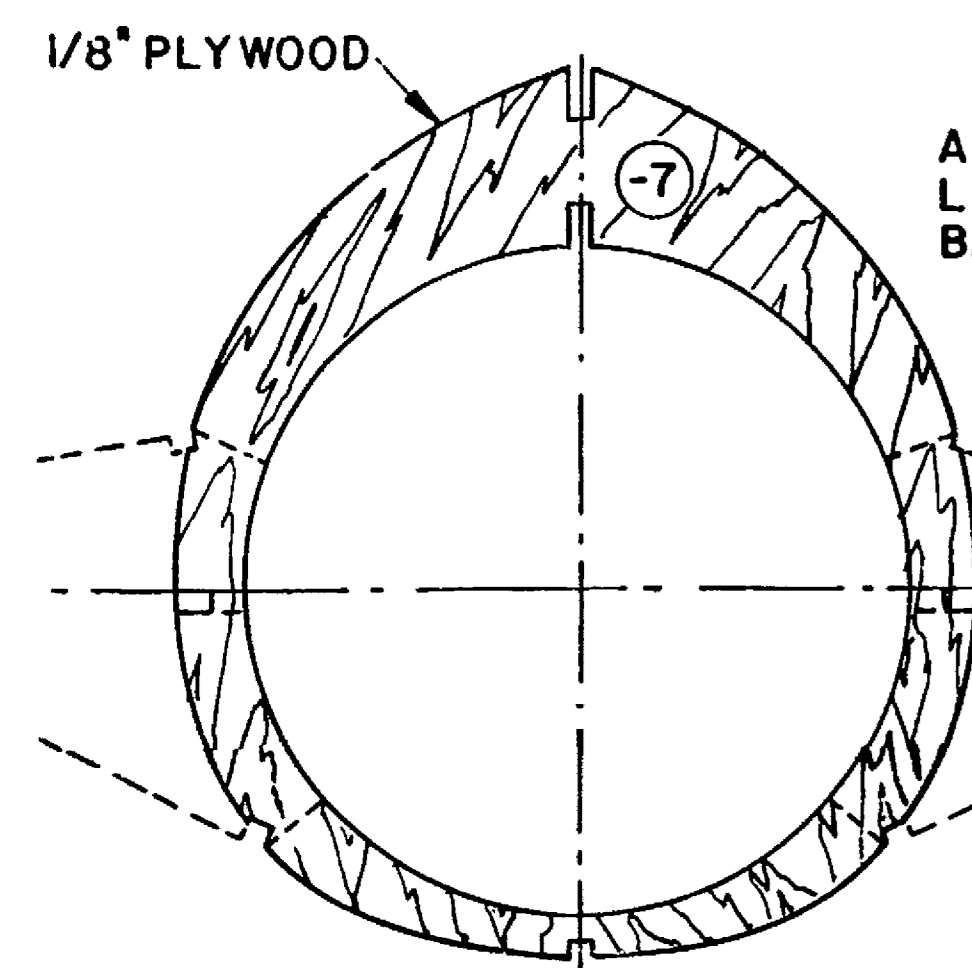
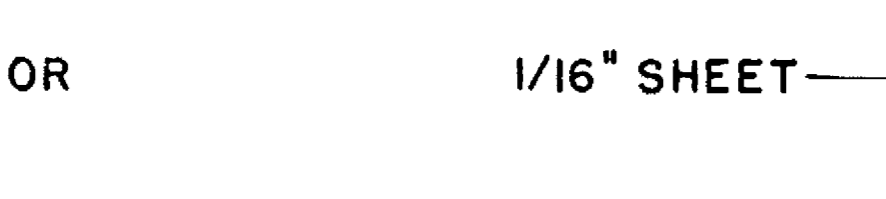


11 VERTICAL ENGINE SUPPORT

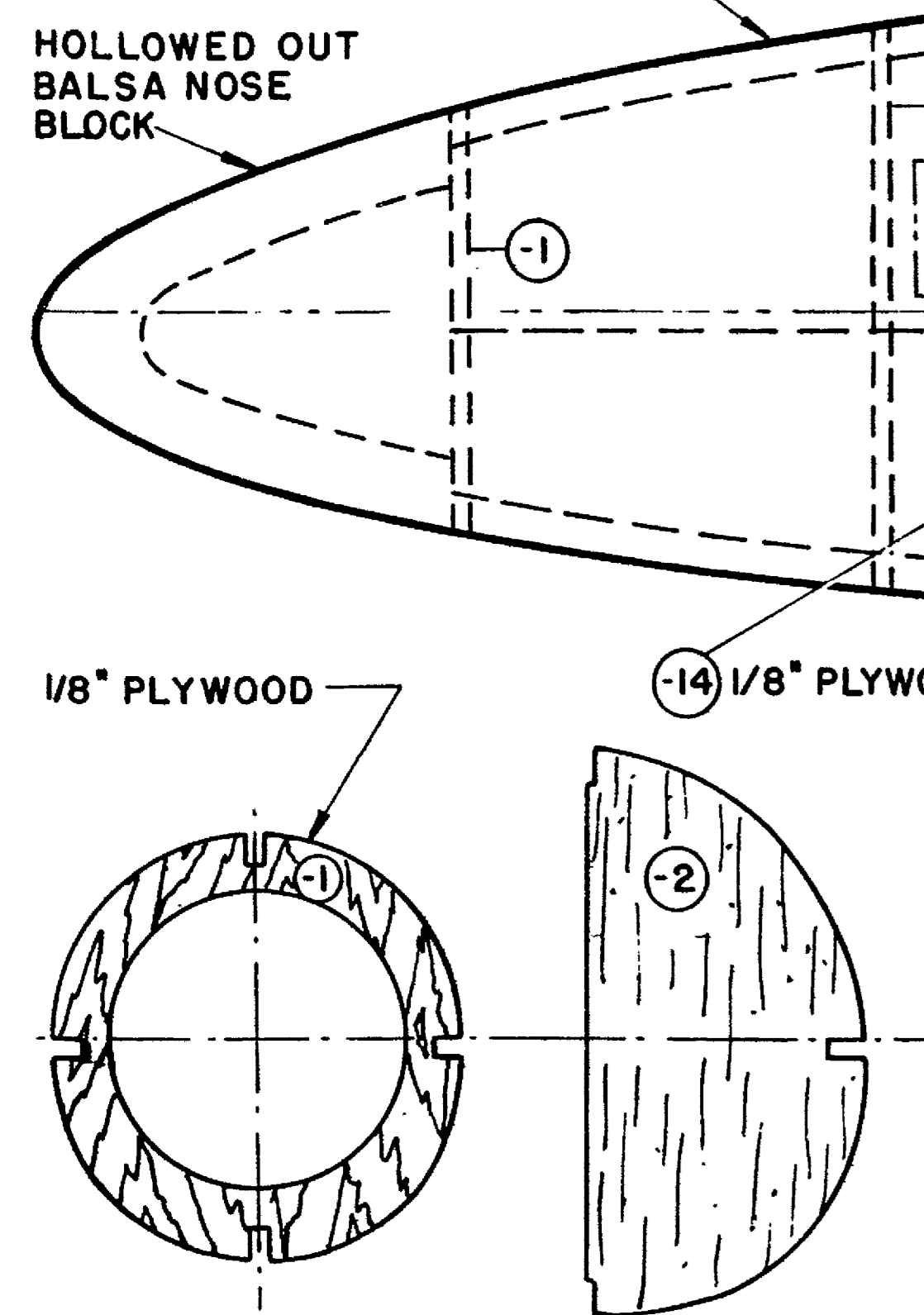


FUEL TANK DETAIL

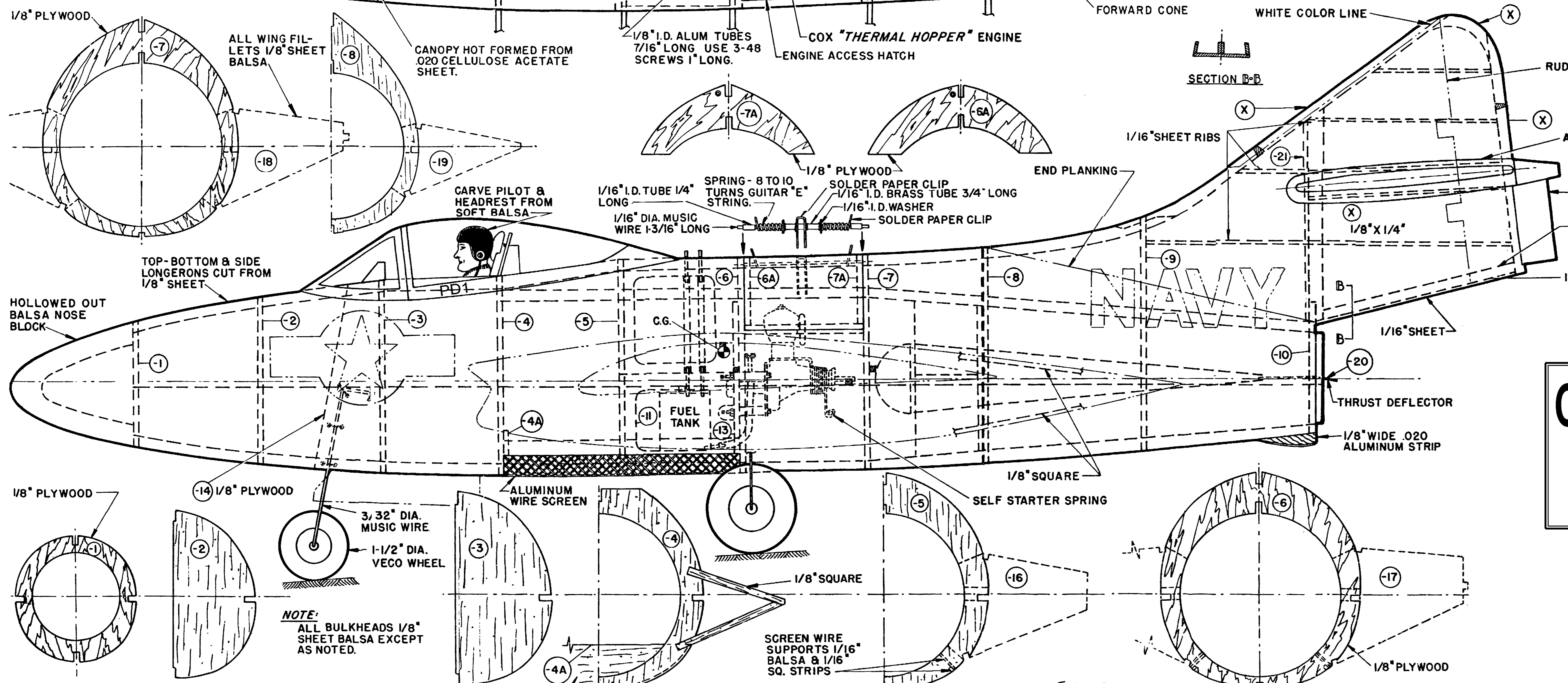
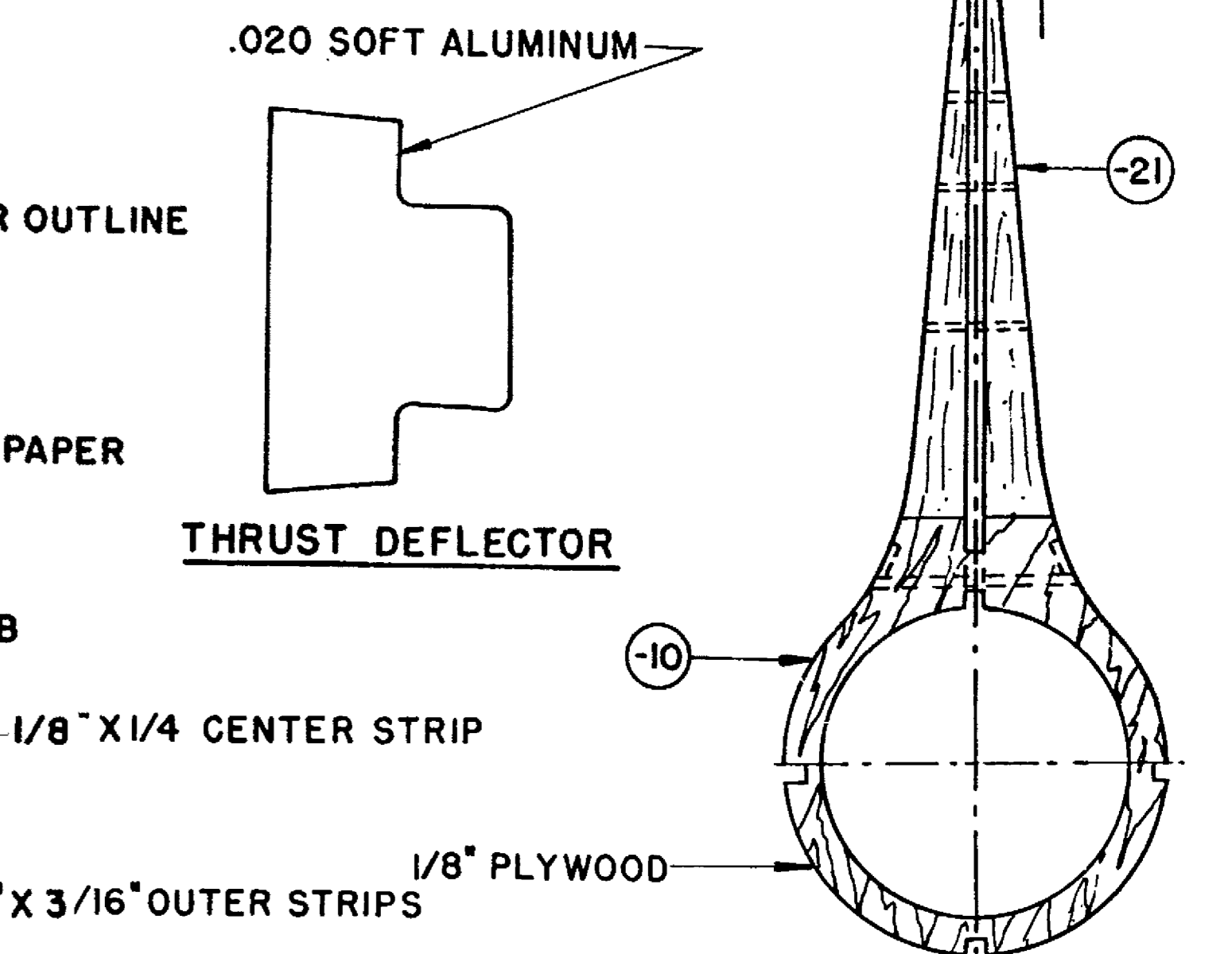
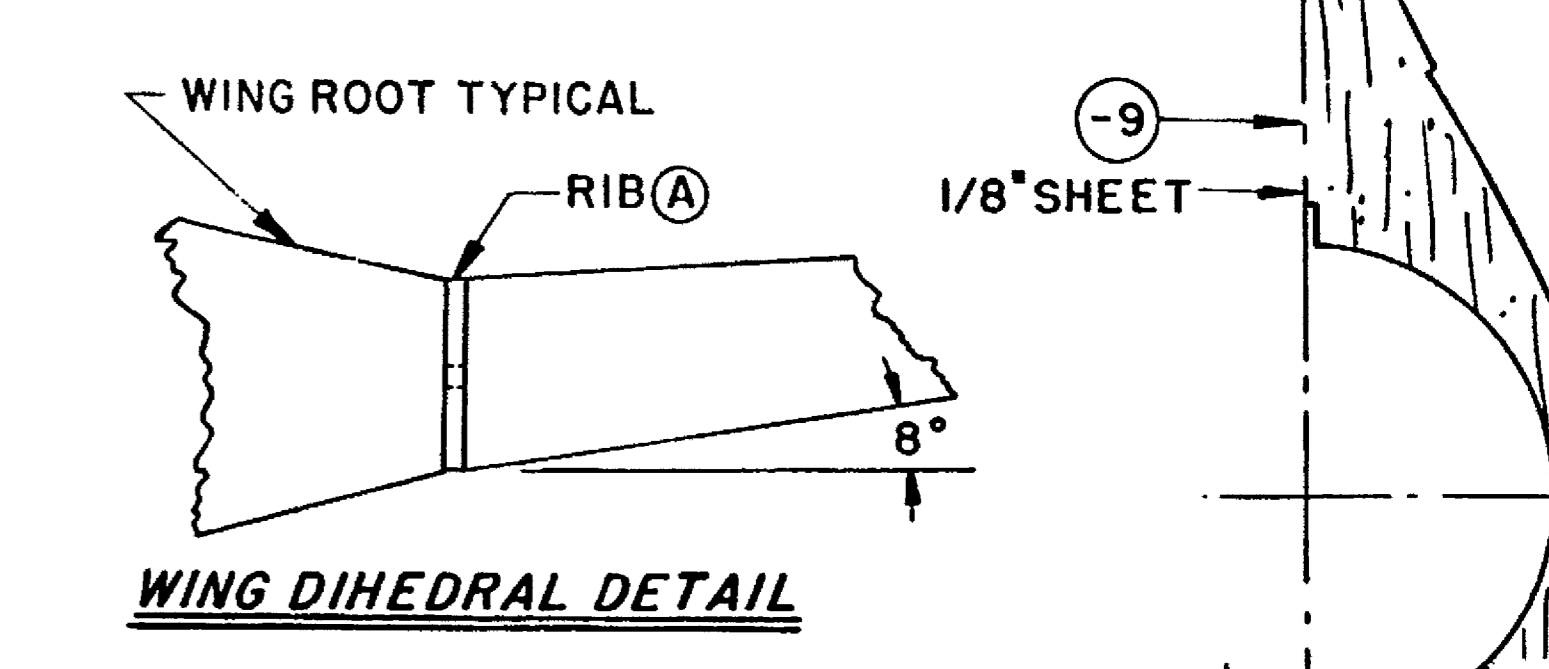
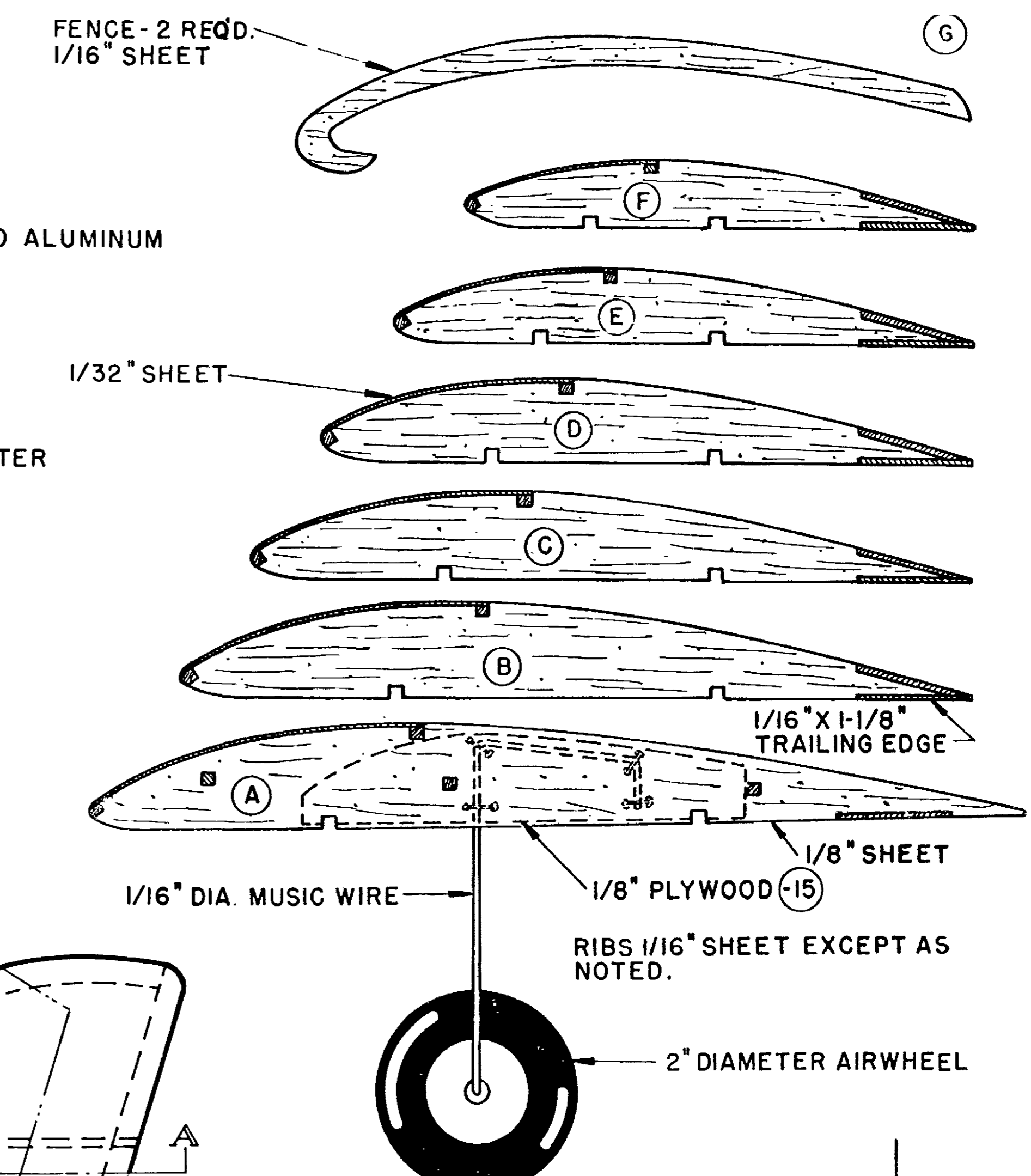
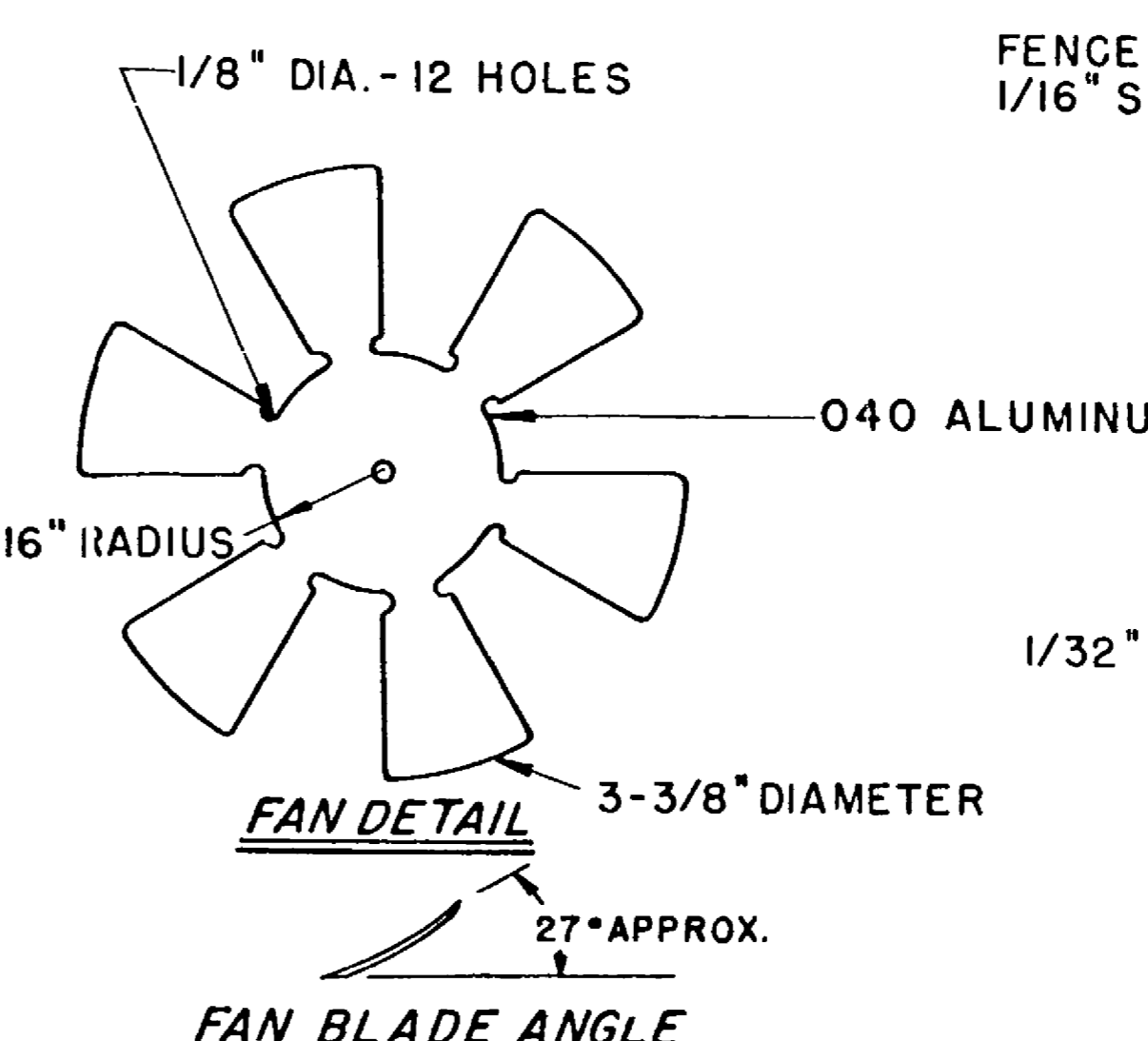
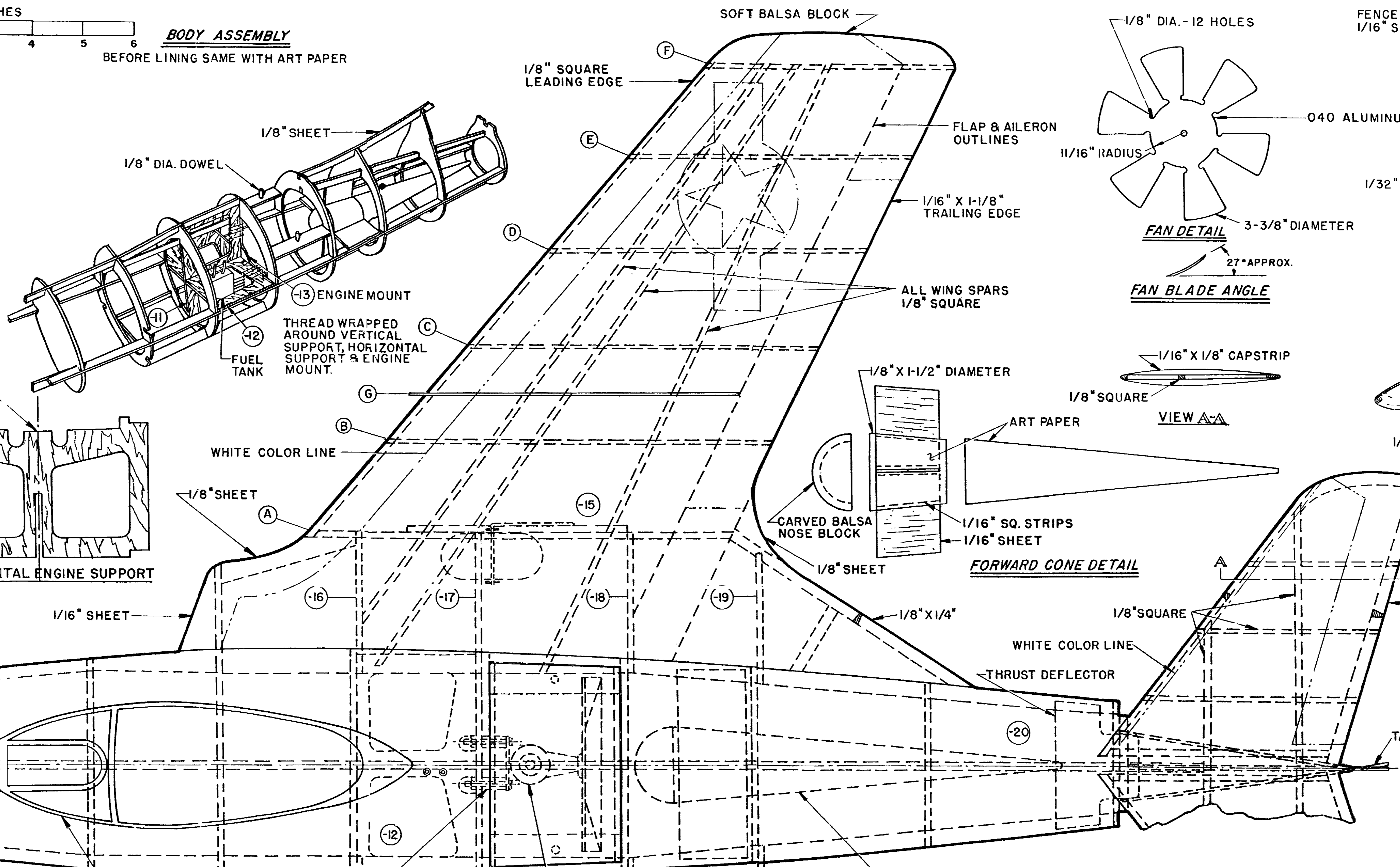
12 HORIZONTAL ENGINE SUPPORT



TOP-BOTTOM & SIDE LONGERONS CUT FROM 1/8" SHEET



NOTE:
 ALL BULKHEADS 1/8" SHEET Balsa EXCEPT AS NOTED.



Grumman F9F Cougar
 Half "A" Ducted fan Free Flight
 Model Airplane News May 1956
 Scanned and restored December 2010 pd1