

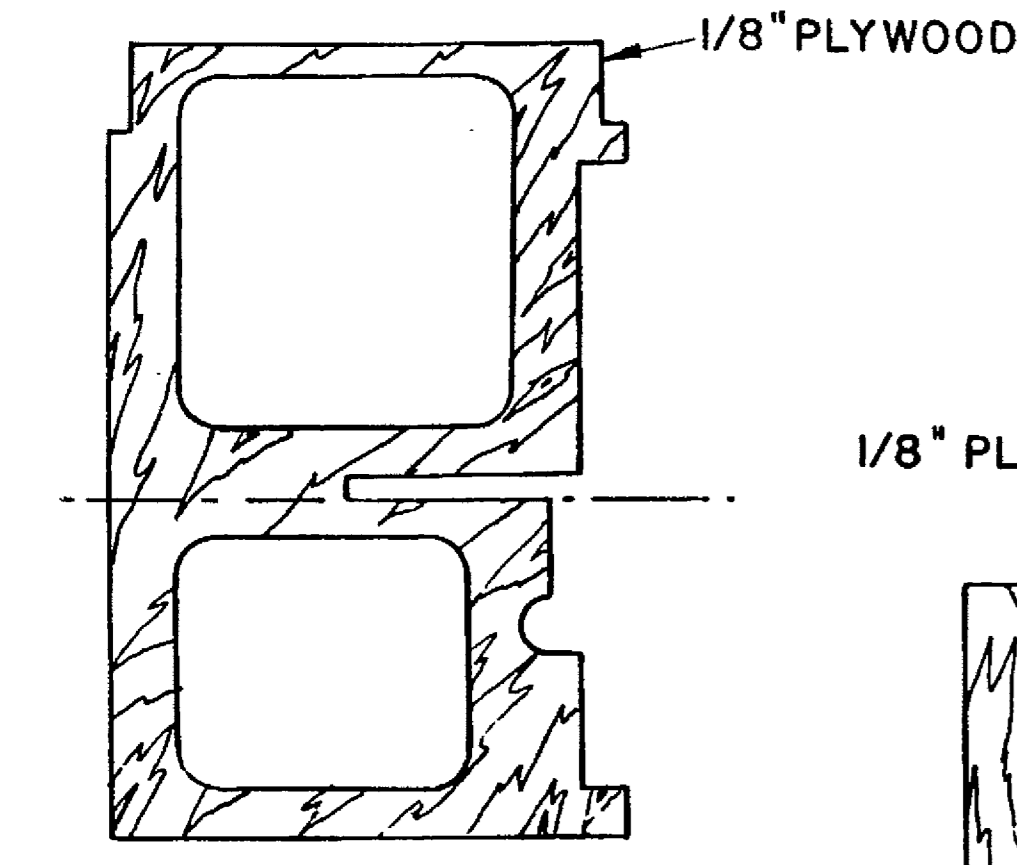
3-48 NUTS SOLDERED TO SHEET TIN

SCALE - INCHES

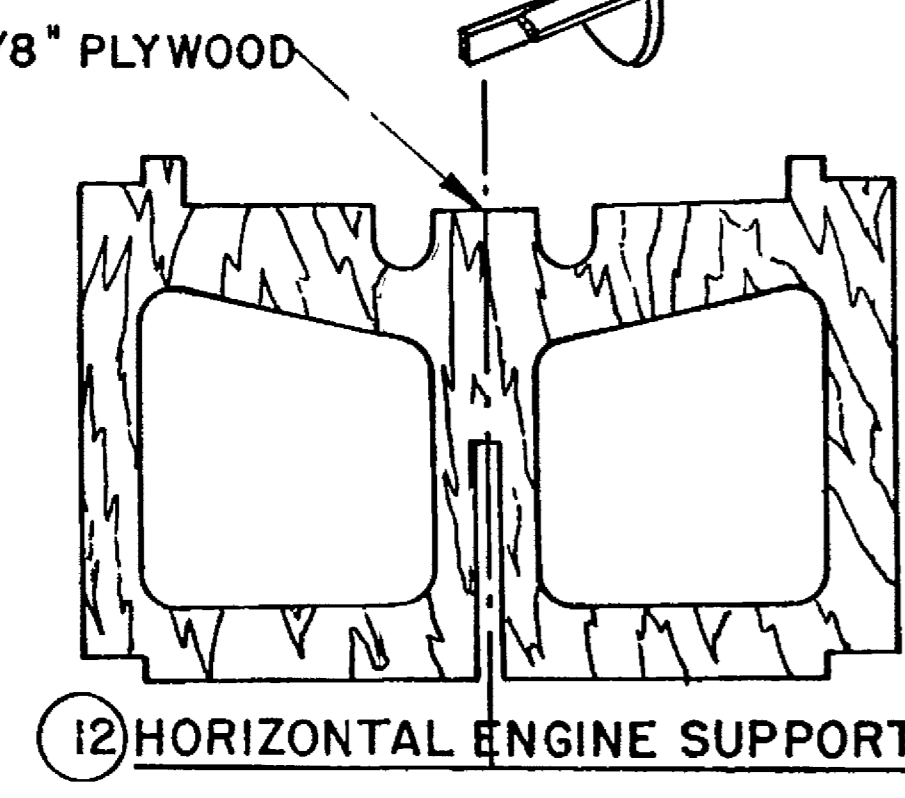
BODY ASSEMBLY

BEFORE LINING SAME WITH ART PAPER

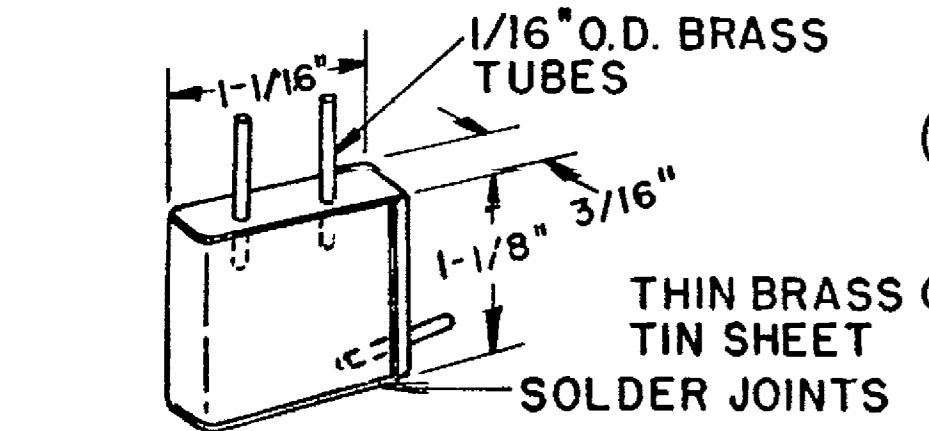
13 ENGINE MOUNT DETAIL



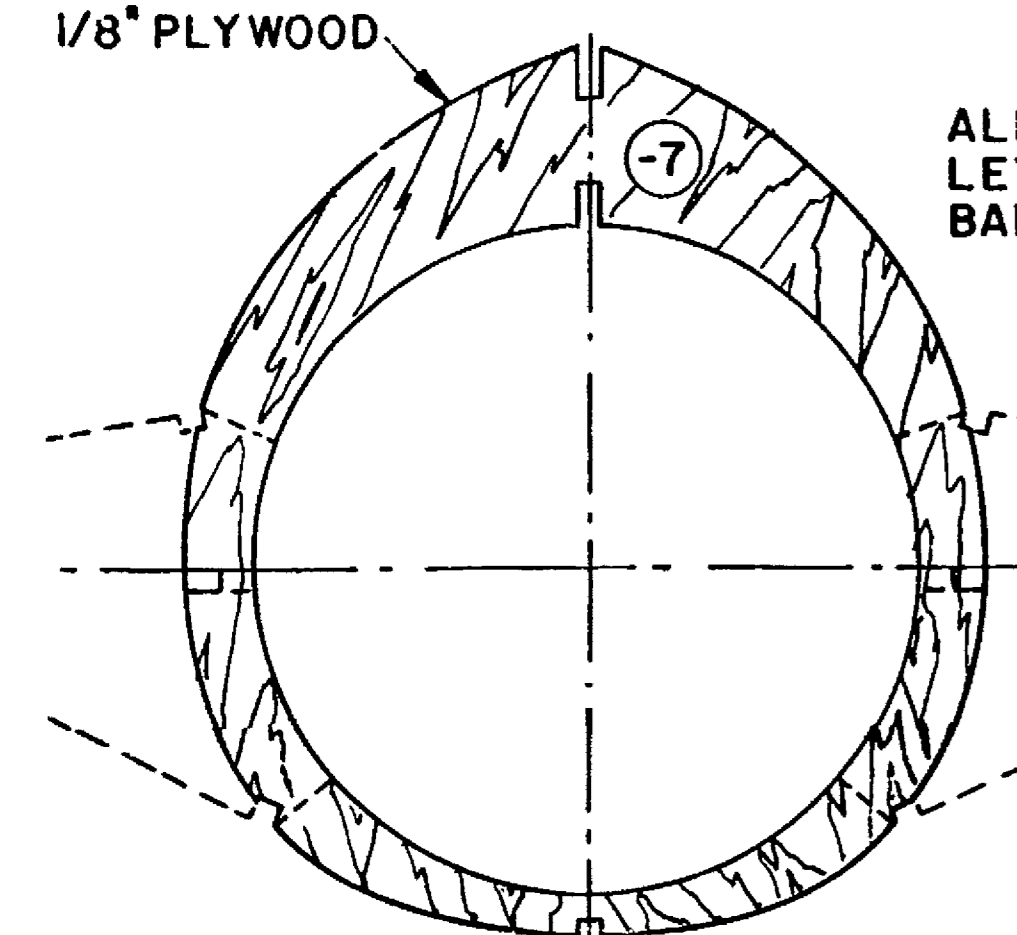
11 VERTICAL ENGINE SUPPORT



12 HORIZONTAL ENGINE SUPPORT

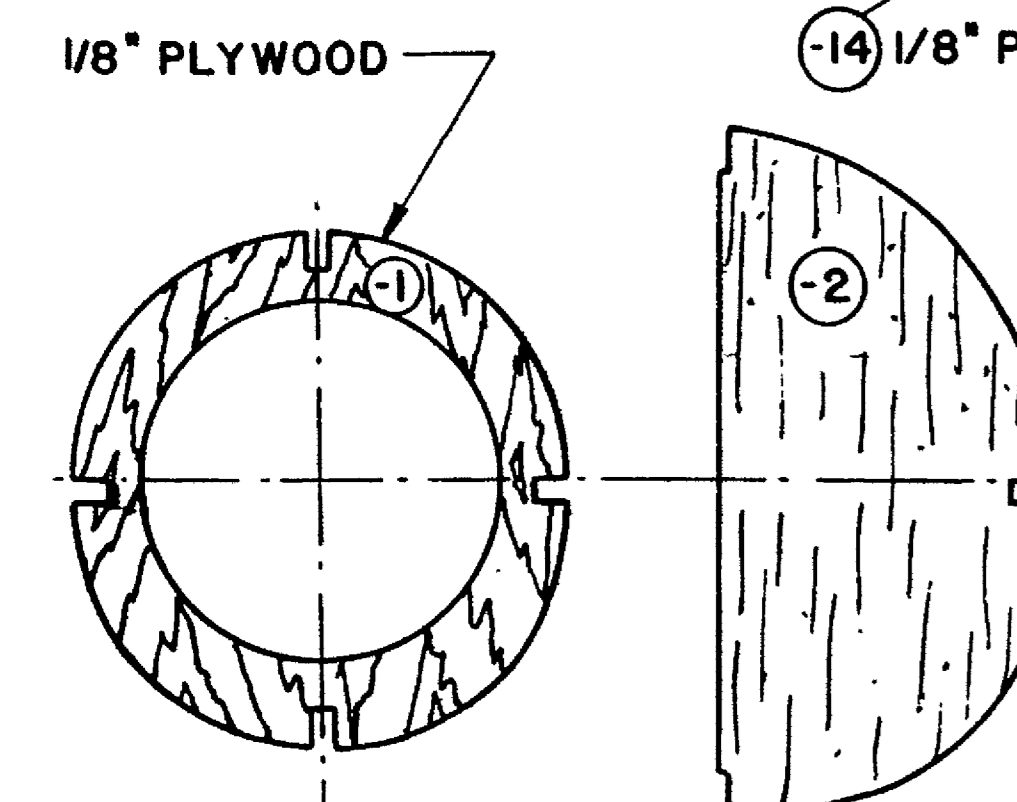


FUEL TANK DETAIL

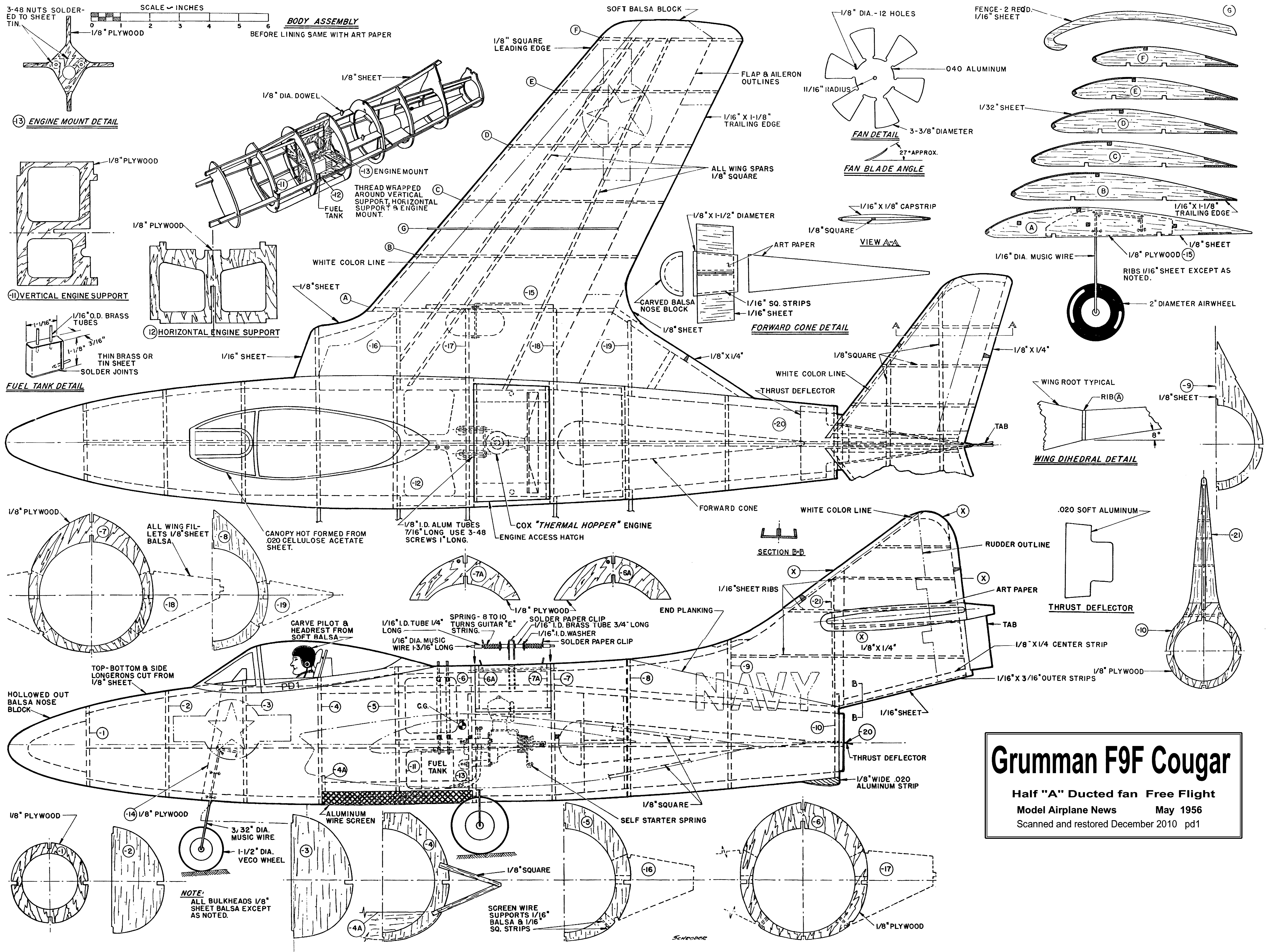


CANOPY HOT FORMED FROM .020 CELLULOSE ACETATE SHEET.

TOP-BOTTOM & SIDE LONGERONS CUT FROM 1/8" SHEET



NOTE: ALL BULKHEADS 1/8" SHEET Balsa EXCEPT AS NOTED.



Grumman F9F Cougar

Half "A" Ducted fan Free Flight

Model Airplane News May 1956

Scanned and restored December 2010 pd1

SCHROEDER