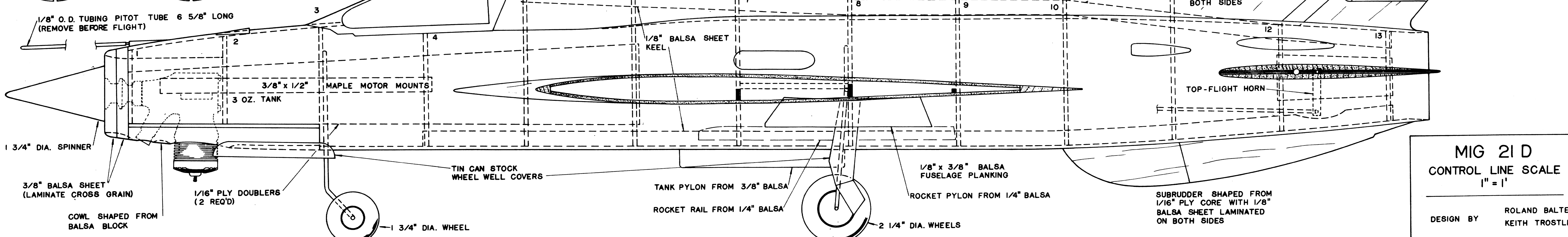
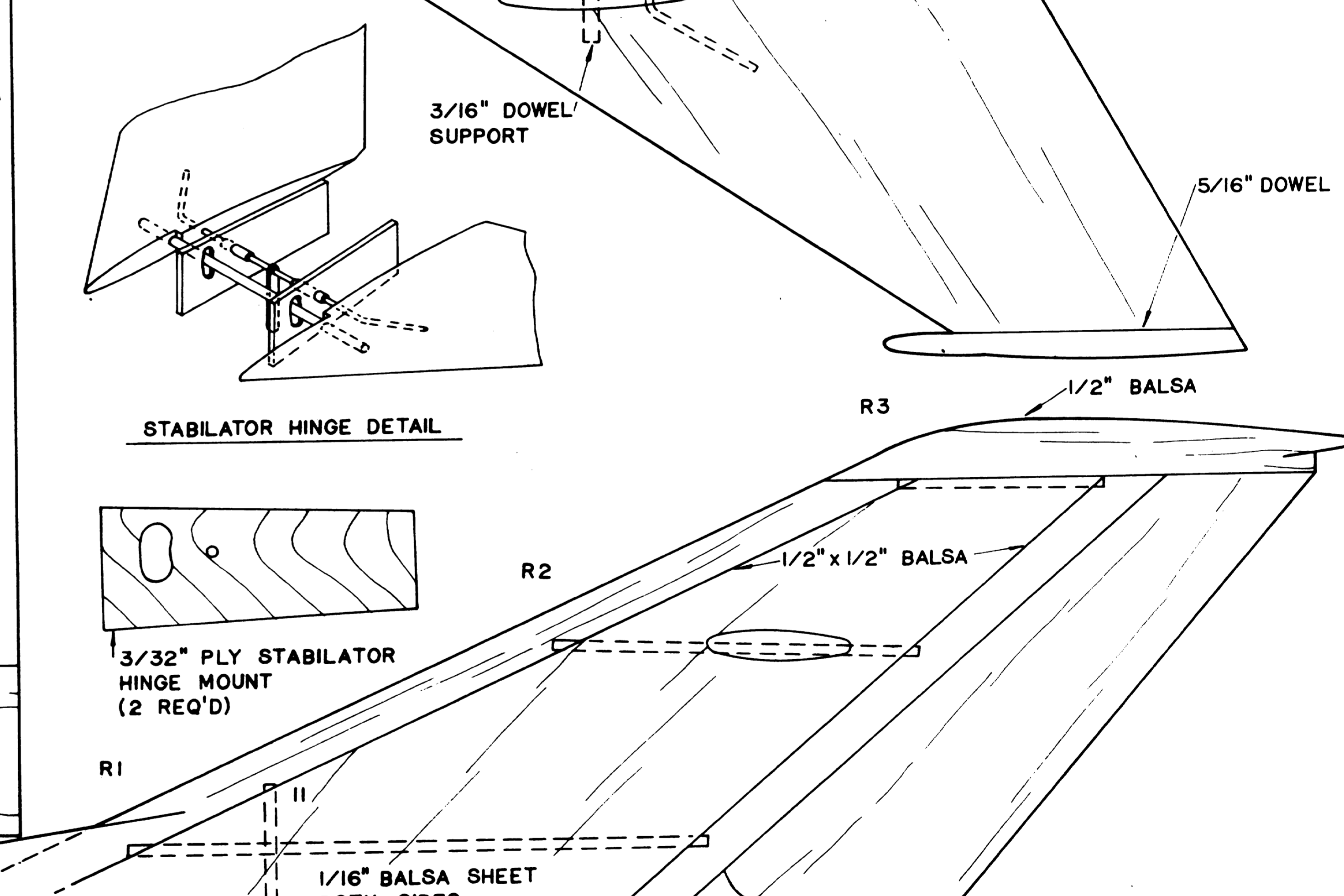
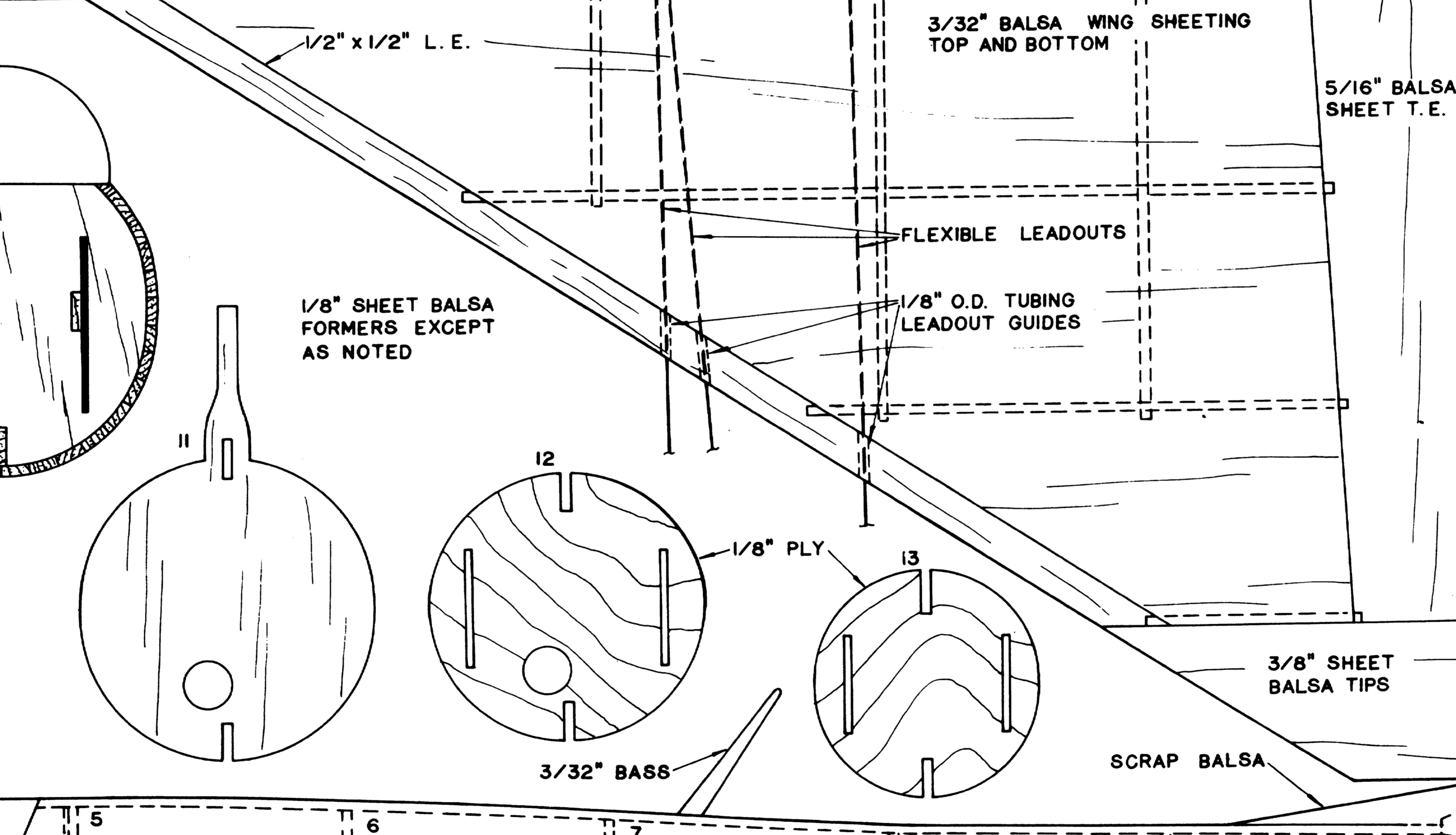
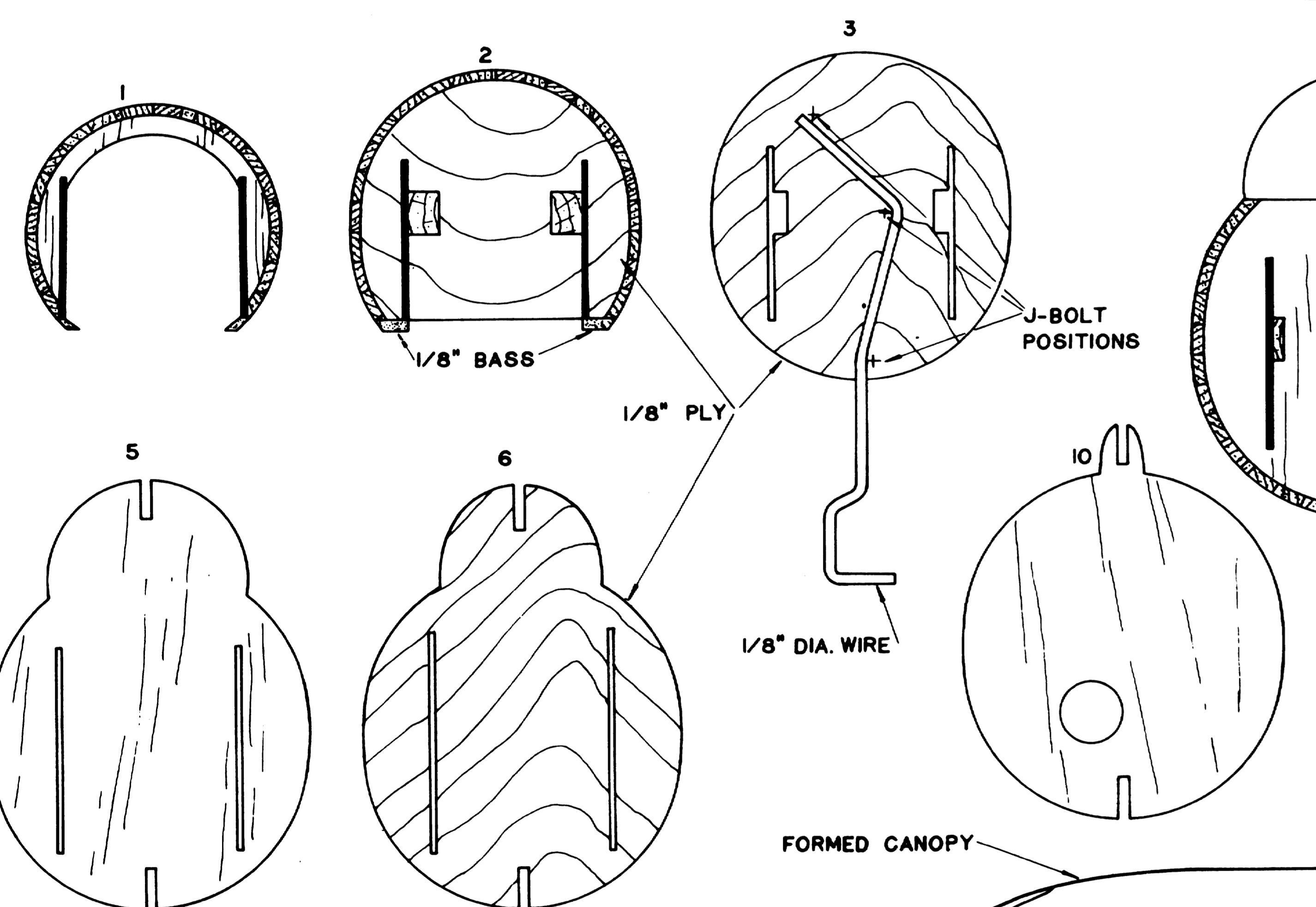
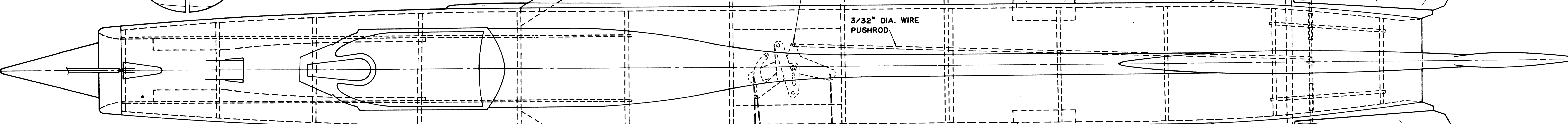


STABILATOR SHAPED FROM 1/8" PLY CORE WITH 3/16" Balsa SHEET LAMINATED ON BOTH SIDES



MIG 21 D
CONTROL LINE SCALE
1" = 1'
DESIGN BY ROLAND BALTES
KEITH TROSTLE