

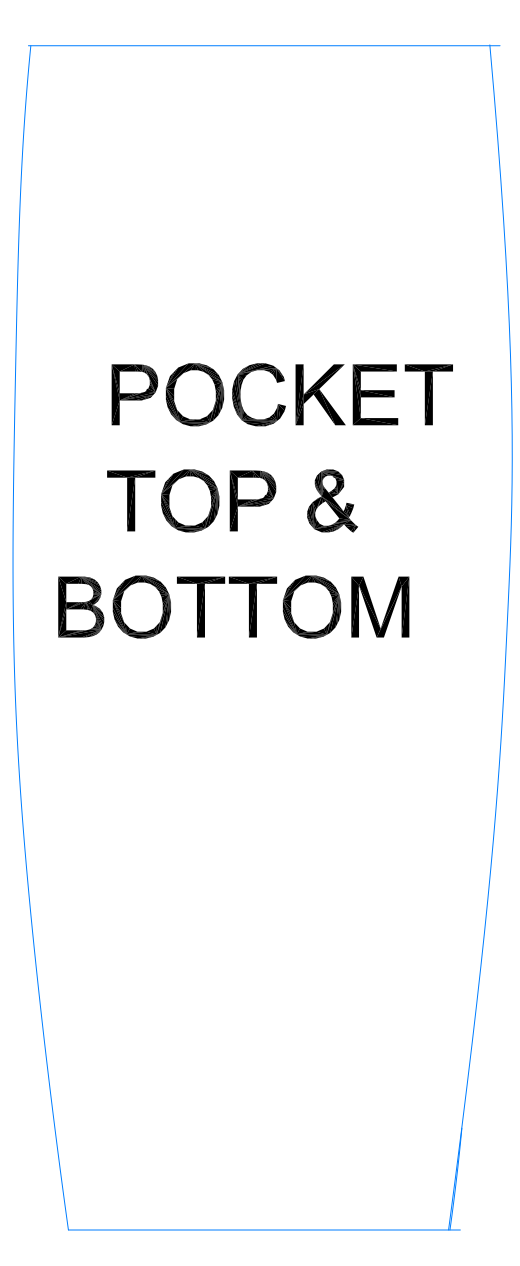
TIP TANKS ARE TO BE KNOCK OFF TANKS  
MAKE A POCKET IN THE TANK FOR THE  
BALSA TONGUE NOTE GRAIN

TIP TANKS MAKE FROM FOAM  
VACUFORM OR BUILD UP

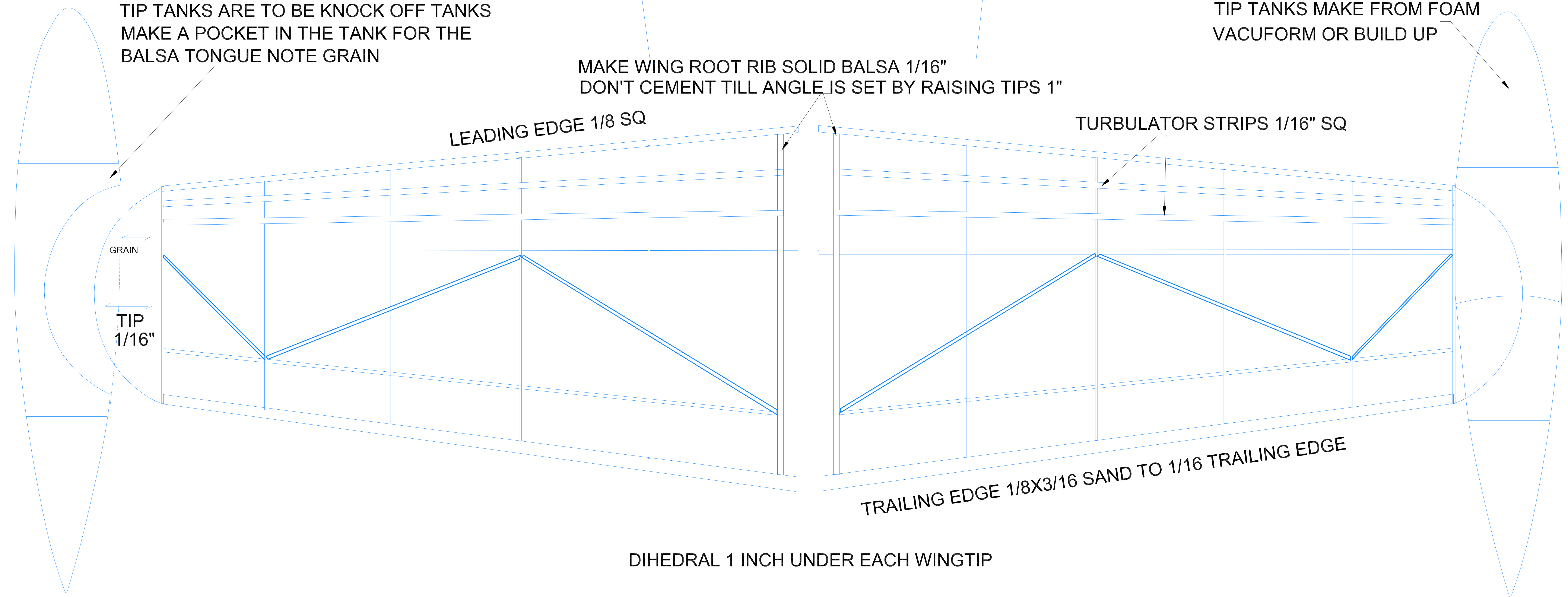
MAKE WING ROOT RIB SOLID BALSA 1/16"  
DON'T CEMENT TILL ANGLE IS SET BY RAISING TIPS 1"

LEADING EDGE 1/8 SQ

TURBULATOR STRIPS 1/16" SQ



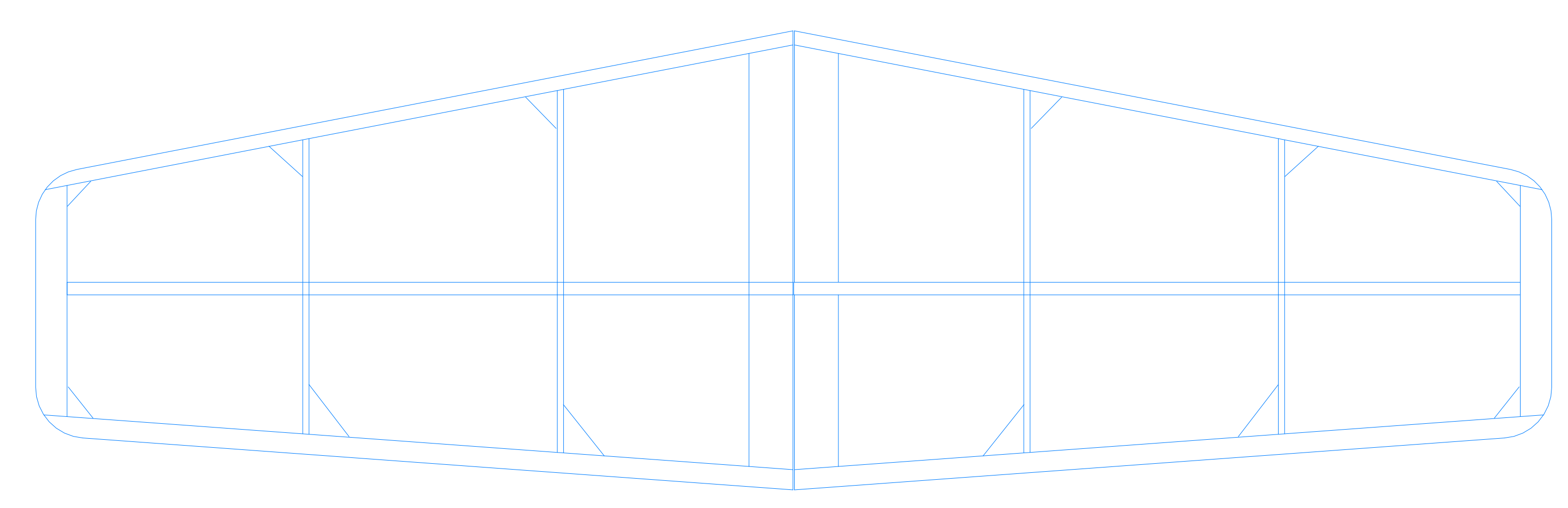
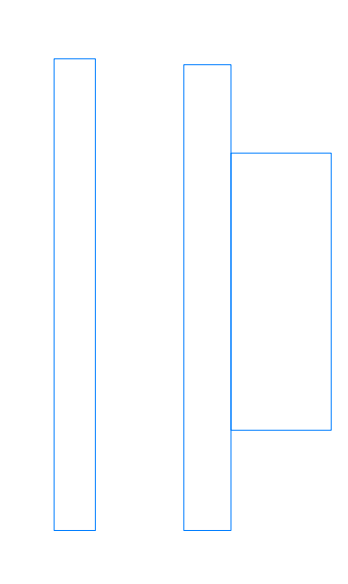
POCKET  
TOP &  
BOTTOM



GRAIN  
TIP  
1/16"

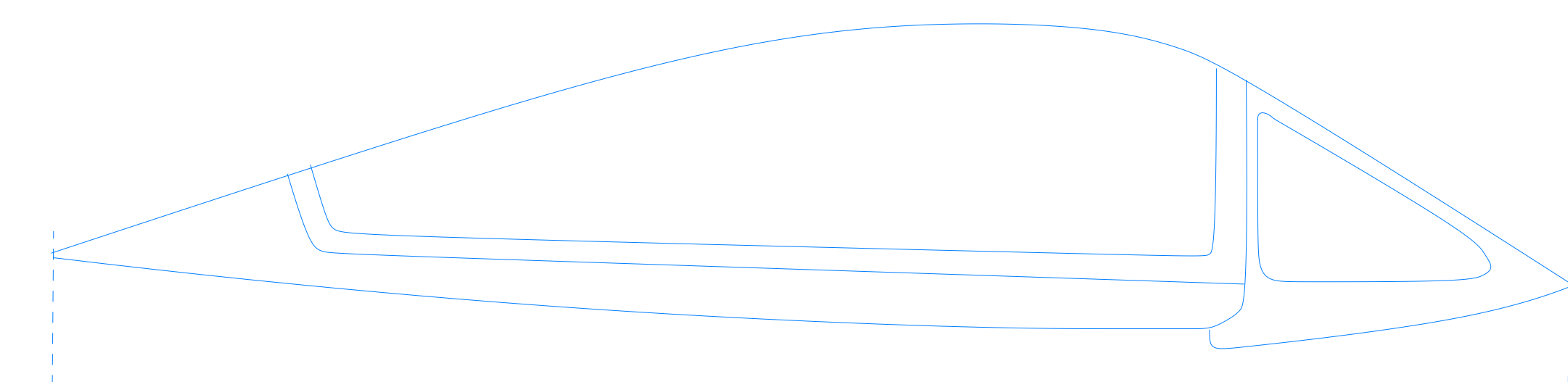
TRAILING EDGE 1/8X3/16 SAND TO 1/16 TRAILING EDGE

DIHEDRAL 1 INCH UNDER EACH WINGTIP

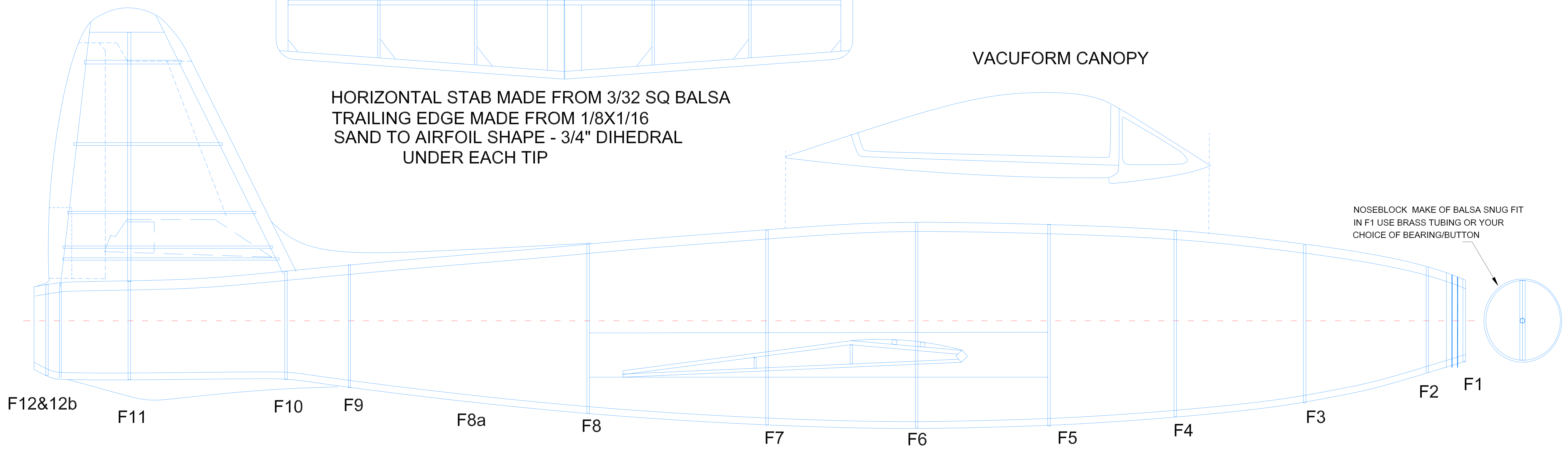


HORIZONTAL STAB MADE FROM 3/32 SQ BALSA  
TRAILING EDGE MADE FROM 1/8X1/16  
SAND TO AIRFOIL SHAPE - 3/4" DIHEDRAL  
UNDER EACH TIP

VACUFORM CANOPY

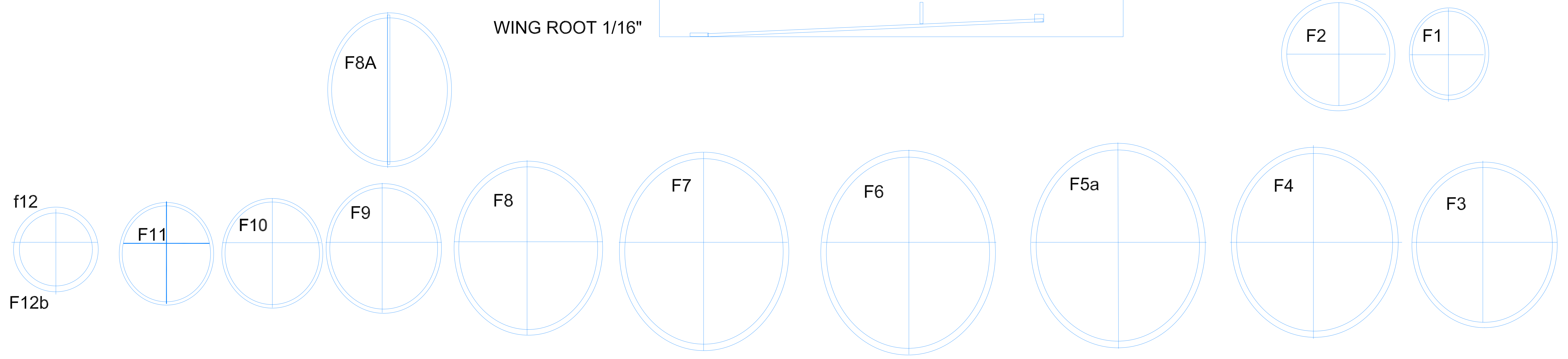
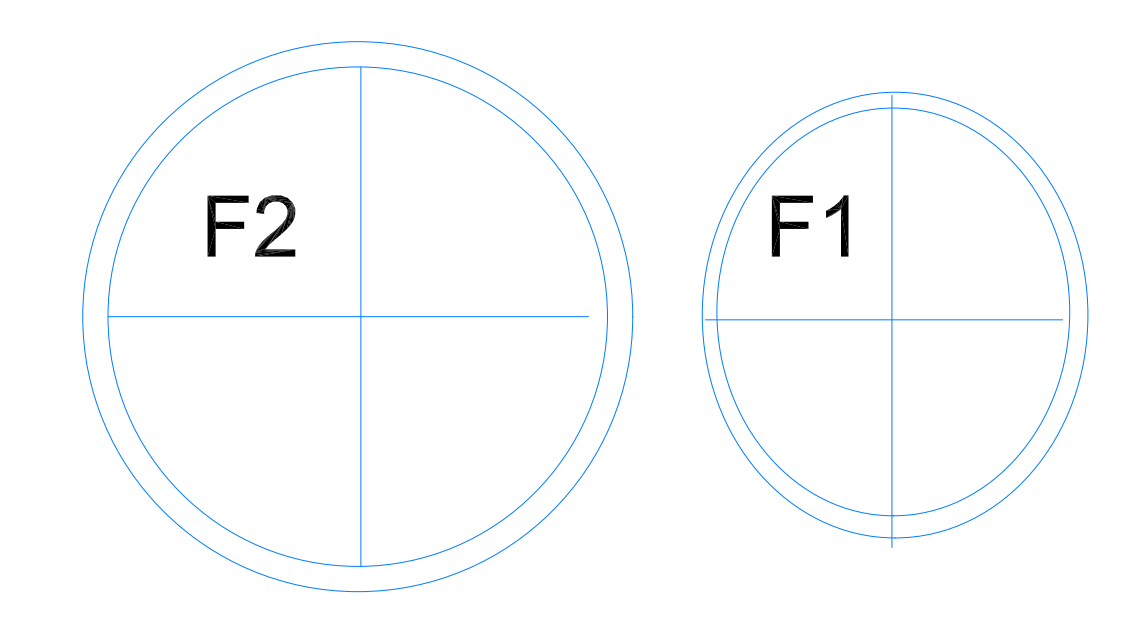
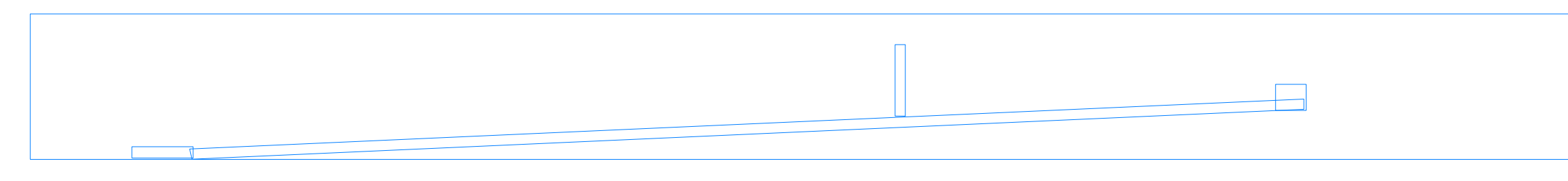


NOSEBLOCK MAKE OF BALSA SNUG FIT  
IN F1 USE BRASS TUBING OR YOUR  
CHOICE OF BEARING/BUTTON



F12&12b F11 F10 F9 F8a F8 F7 F6 F5 F4 F3 F2 F1

WING ROOT 1/16"



FORMERS ARE TWO LAMINATES OF 1/32X1/16 AROUND FORMS OR REED

DETAILED BUILD ON [stickandtissue.com](http://stickandtissue.com)  
CURRENT BUILDS SECTION

**Republic F-84 E/G**  
35 INCH WINGSPAN  
DRAWN BY TOM AKERY FROM 3 VIEW  
AUGUST 2012 NOT FOR RESALE  
FREE USE TO MEMBERS OF S&T & HPA