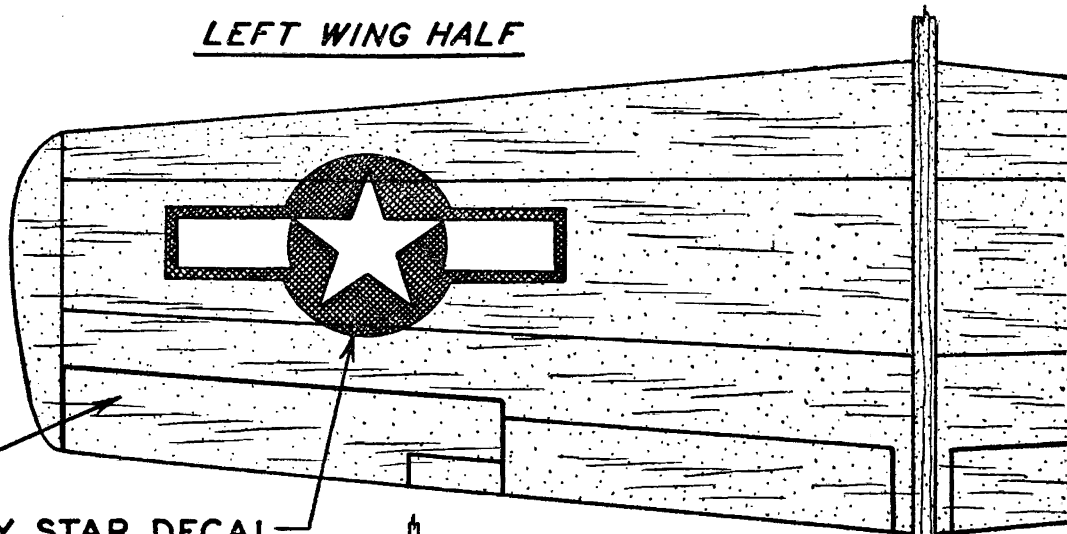


THUNDERJET

REPUBLIC XP-84

— A PROFILE GLIDER —

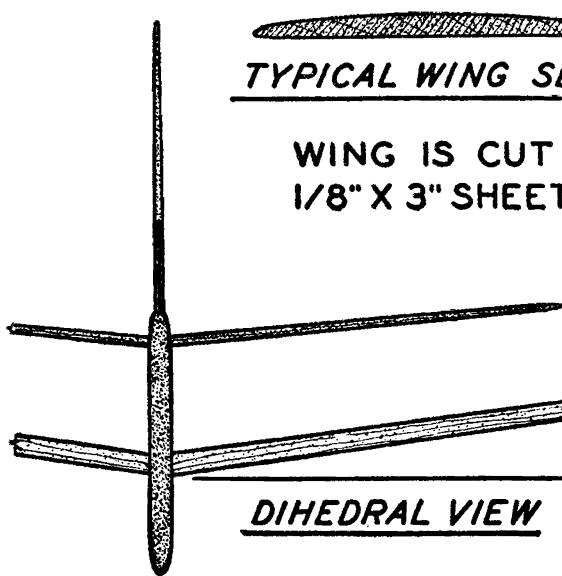
LEFT WING HALF



TYPICAL WING SECTION

WING IS CUT FROM
1/8" X 3" SHEET Balsa

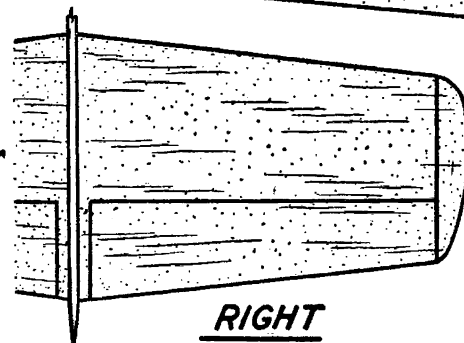
ARMY STAR DECAL



DIHEDRAL VIEW

COCKPIT CANOPY IS
HEAVY CELLULOID

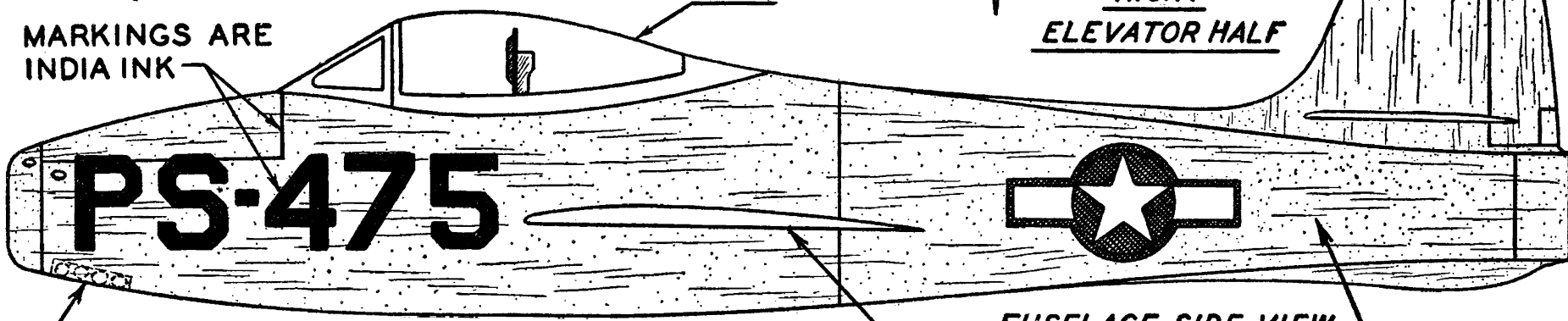
5/8"



RIGHT
ELEVATOR HALF

1/16" SH.

MARKINGS ARE
INDIA INK



FUSELAGE SIDE VIEW

1/8" SHEET

USE BUCKSHOT FOR BALANCING

WING SLOT