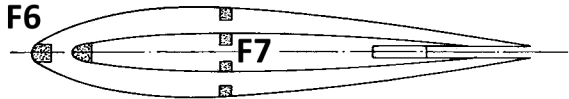


**YAK 25**  
 FLYING SCALE FOR  
 JETEX 50  
 By ANDRE DAUTIN  
 FRANCE

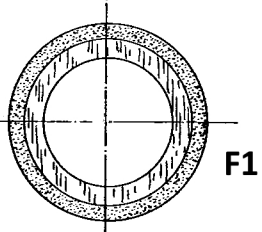
F6 FROM 1/16" SHEET  
 F7 FROM 1/32" SHEET



NOTE: COVER FUSELAGE  
 FROM F1-F5 WITH 1/32"  
 SHEET OR SOFT 1/16"  
 WELL SANDED

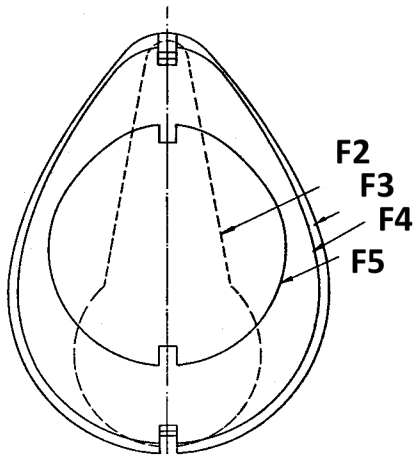
**YAK 25**

FLYING SCALE FOR  
 JETEX 50  
 By ANDRE DAUTIN  
 FRANCE



F1

F1 3/16" SHEET  
 F2, F3 & F4 1/32" SHEET  
 F5 3/8" SHEET



F2  
 F3  
 F4  
 F5

JETEX 50

F1

F2

F3

F4

F5

NOTE: DIHEDRAL 0°

3/32" SQ.

3/8" SQ. TIP SAND  
 TO SHAPE

HARD 1/32"  
 SHEET TAIL

W1

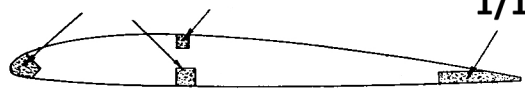
ALL RIBS  
 1/32" SHEET

3/32" SQ.

1/16" SQ.

1/16" x 3/8" T.E.

W1



1/16" x 3/8"

F7

3/32" SQ.

1/16" SQ.

3/16" SQ. HARDWOOD  
 JETEX MOUNT

WING ROOT POSITION

F6

3/32" SQ.

JETEX 50

F1

F2

F3

F4

F5

NOTE: DIHEDRAL 0°

3/32" SQ.

3/8" SQ. TIP SAND  
 TO SHAPE

HARD 1/32"  
 SHEET TAIL

W1

ALL RIBS  
 1/32" SHEET

3/32" SQ.

1/16" SQ.

1/16" x 3/8" T.E.

W1

1/16" x 3/8"

F7

3/32" SQ.

1/16" SQ.

3/16" SQ. HARDWOOD  
 JETEX MOUNT

WING ROOT POSITION

F6

3/32" SQ.

JETEX 50

F1

F2

F3

F4

F5

NOTE: DIHEDRAL 0°

3/32" SQ.

3/8" SQ. TIP SAND  
 TO SHAPE

HARD 1/32"  
 SHEET TAIL

W1

ALL RIBS  
 1/32" SHEET

3/32" SQ.

1/16" SQ.

1/16" x 3/8" T.E.

W1