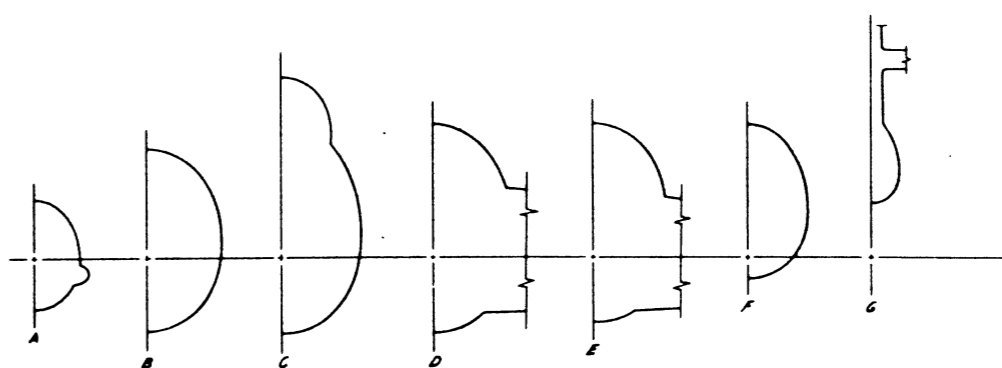
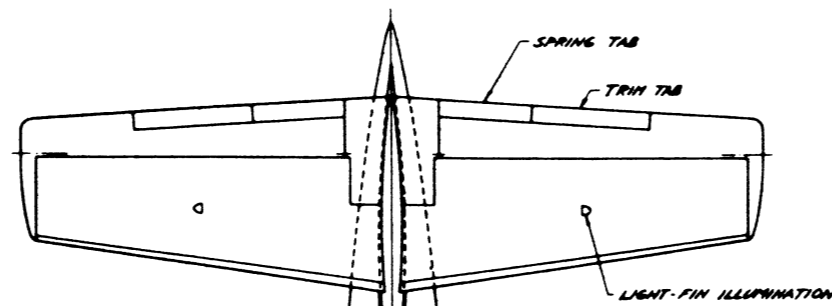
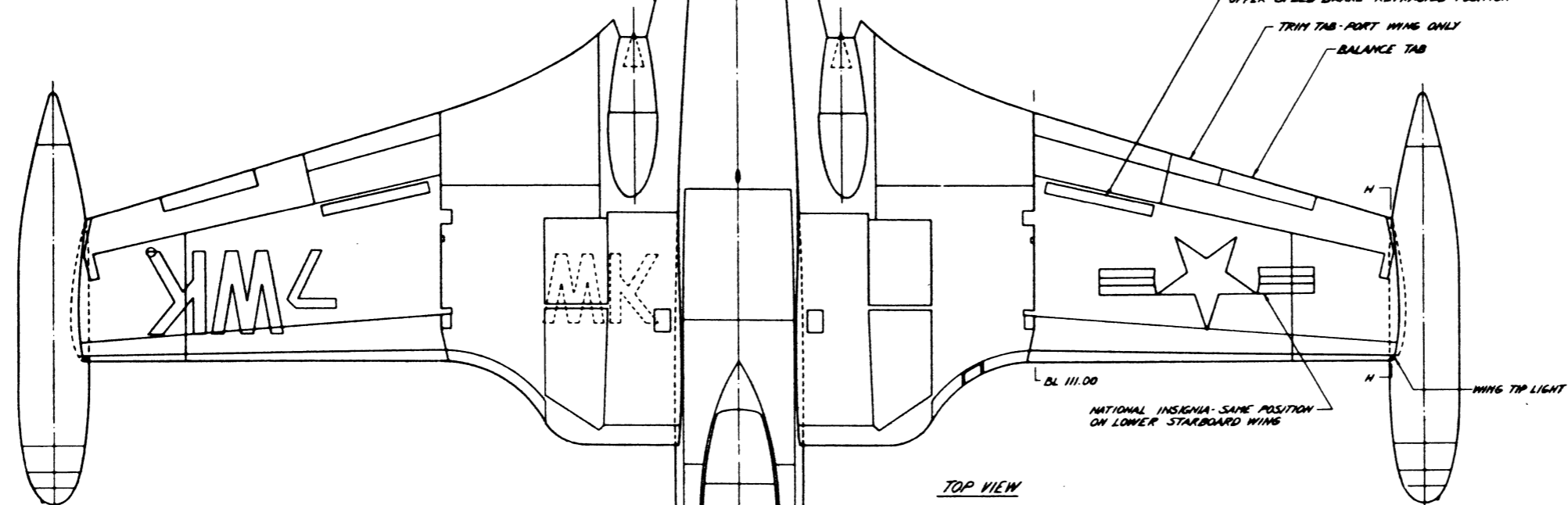
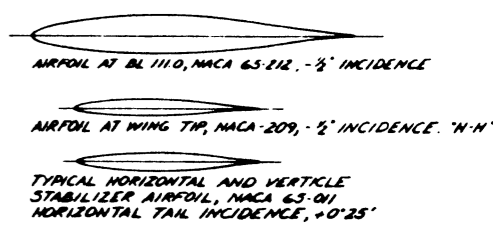


AIRPLANE SPECIFICATIONS

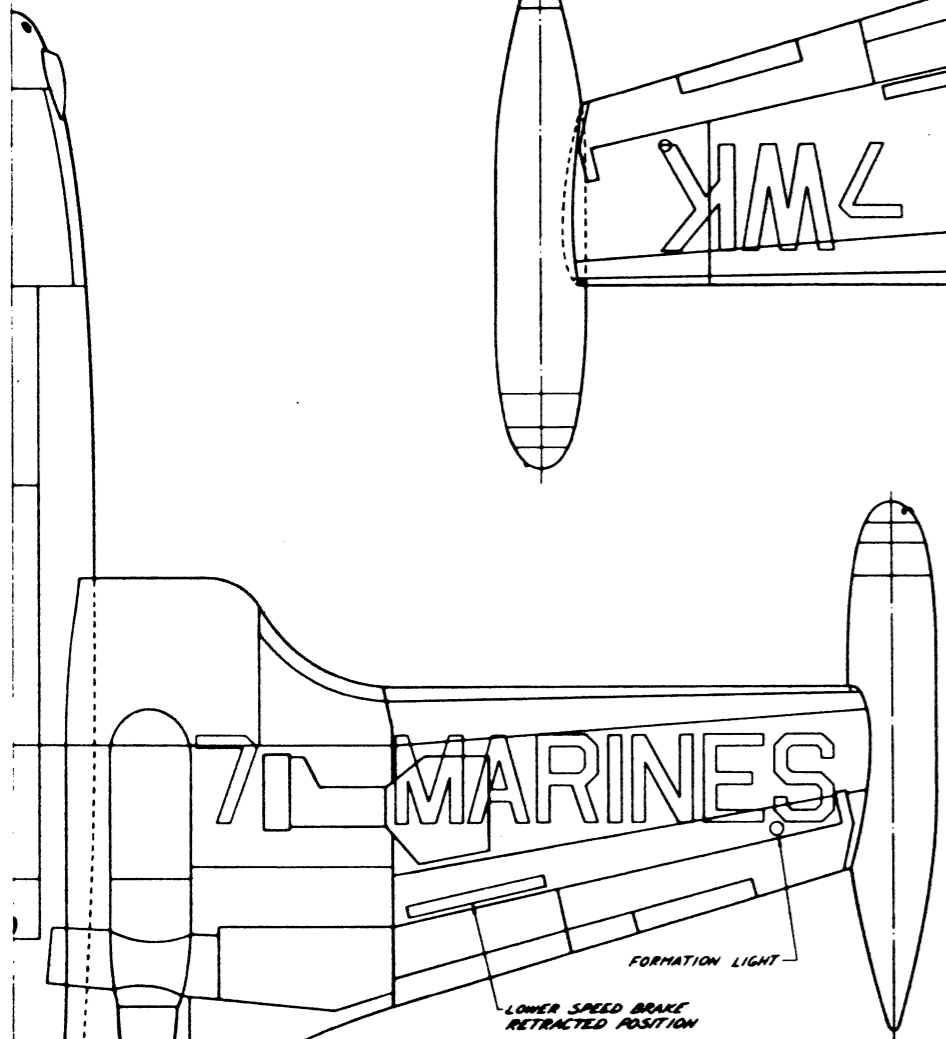
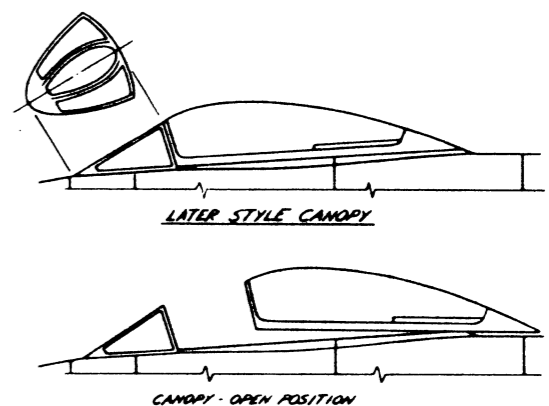
WINGSPAN WITH TIP TANKS	44 FT 11.70 IN
WINGSPAN WITHOUT TIP TANKS	41 FT 8.84 IN
LENGTH	48 FT 8.83 IN
HEIGHT	16 FT 5.50 IN
HEIGHT OVER CANOPY	8 FT 5.35 IN
HORIZONTAL TAIL SPAN	18 FT 9.37 IN
FUSELAGE DEPTH	5 FT 1 IN
TRACK	13 FT 6.86 IN
FUSELAGE REF FROM STATIC GND LINE	2 FT 2.30 IN
WEIGHT - EMPTY	11176 LBS
WEIGHT - MAXIMUM TAKE OFF	22512 LBS
SPEED - MAXIMUM	575 MPH
SERVICE CEILING	40000 FT
RANGE	1200 MILES
POWER PLANT	2) WESTINGHOUSE J34-WE
ARMAMENT	3) 50 LBS THRUST
	1) 20 1.191 CANNON



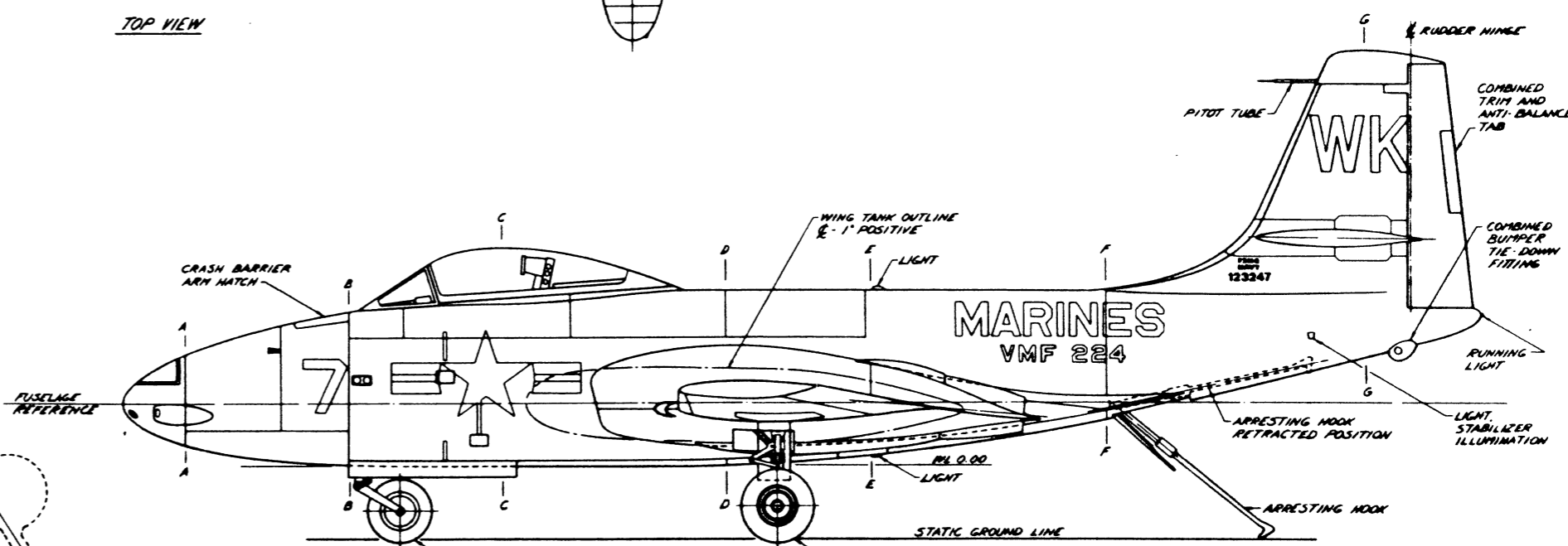
FUSELAGE SECTIONS



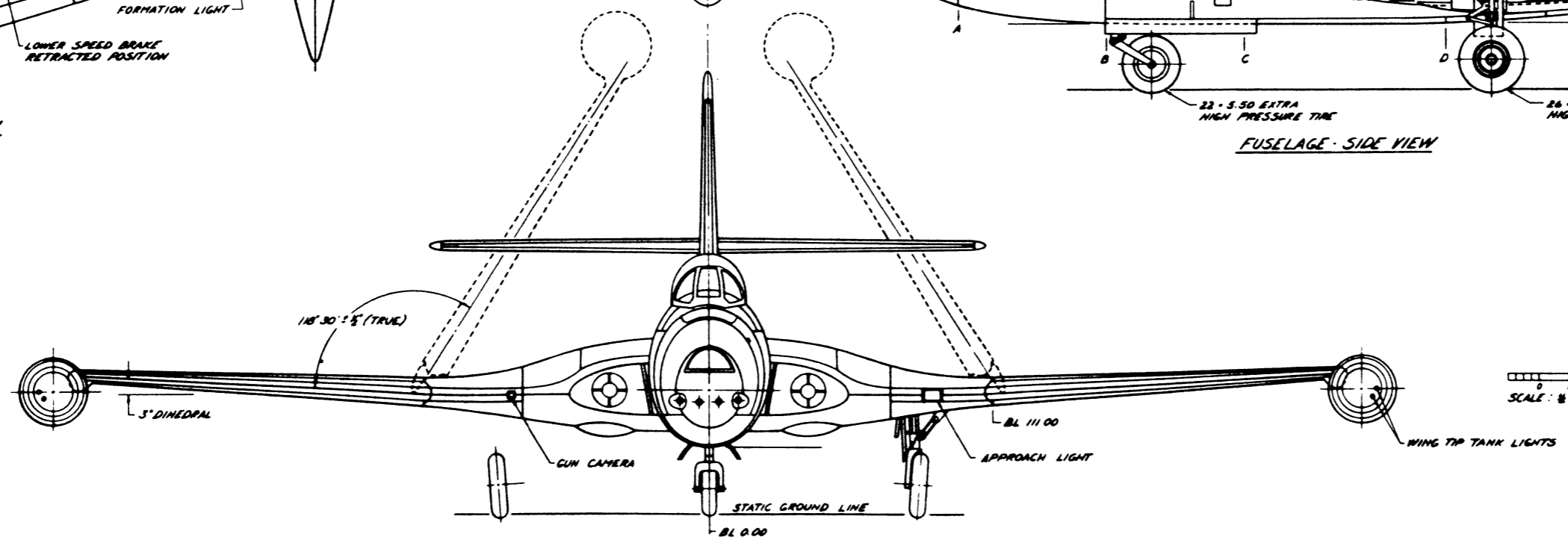
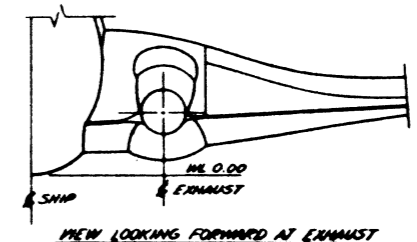
TOP VIEW



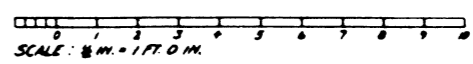
BOTTOM VIEW



FUSELAGE - SIDE VIEW



FRONT VIEW



- REFERENCE:**
1. PRDONWELL AIRCRAFT CORP DRAWING NO 15-0009
 2. NAVAL FIGHTERS NO 1, PRDONWELL BANNSHAW, STEPHAN J ENTER
 3. AIRTEL 1/78 SCALE MODEL AIRPLANE KIT
 4. UNITED STATES NAVAL AIR PROSELYT, PITHOCOLA, FLORIDA USA
 5. U.S. FIGHTERS OF THE PARTIES, WED SEAPLANE, FRANCE PHGV

PRDONWELL AIRCRAFT CORP, SAINT LOUIS, MISSOURI, USA
F2H-2 AIRPLANE
 DRAWN BY JOHN W BELL, 1993 SCALE: 1/8" = 1 FT 0 IN
 BELL MODEL AIRCRAFT CO
 650 PINE CREST DRIVE, LARGO, FLORIDA USA 32754-4003
 ALL RIGHTS RESERVED PRINTED IN USA REV 00