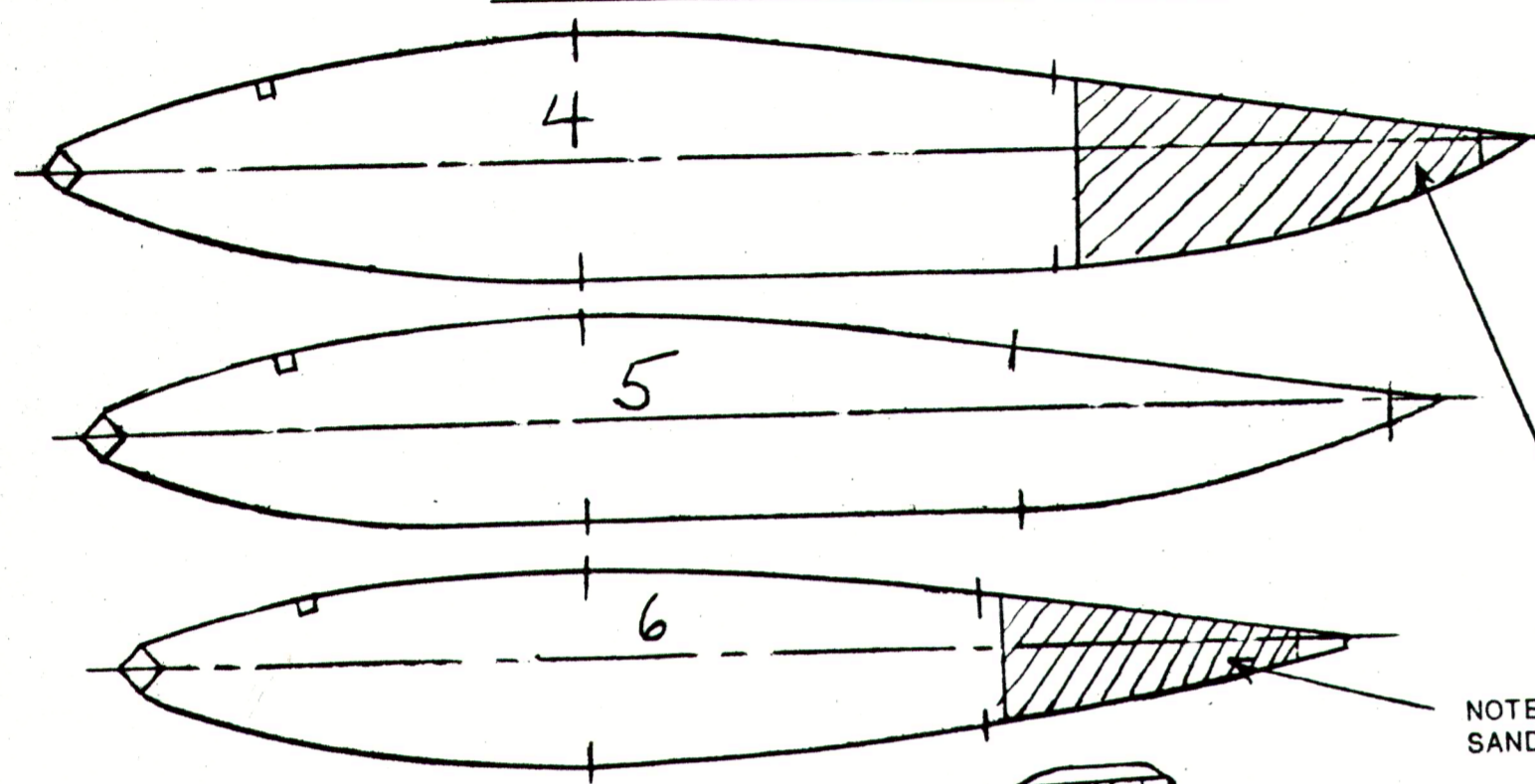
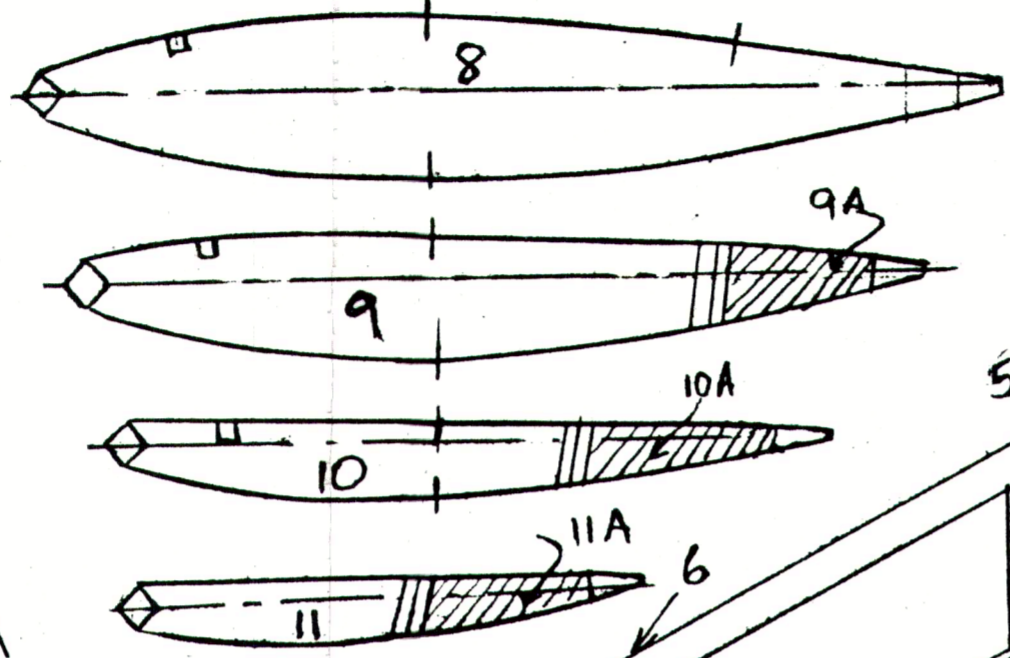


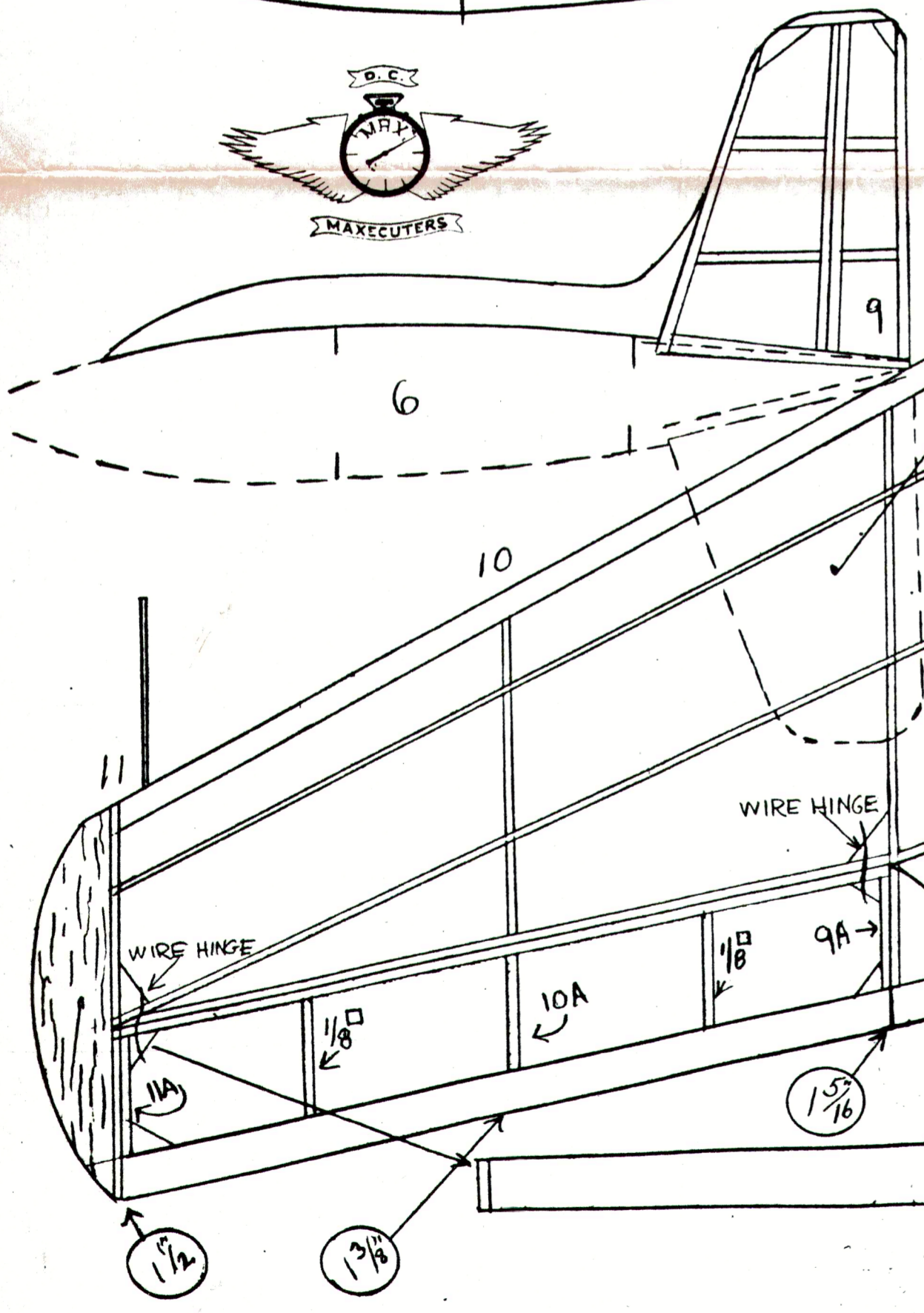
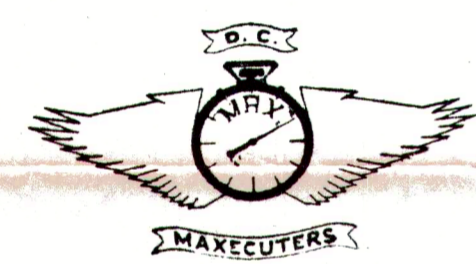
FULL SIZE ROOT RIB TEMPLATE FOR WING



NOTE DOUBLERS @ #4 & #6 TO MAKE SANDWICH OF ACETATE BOTTOM FIN

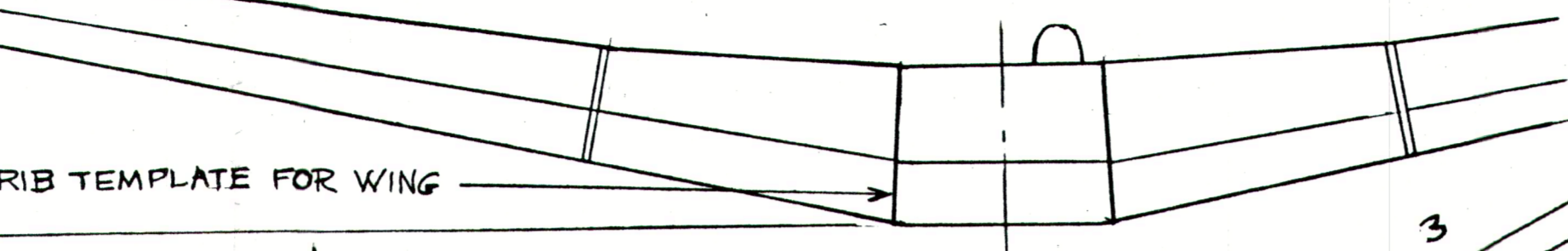


ACETATE FIN SANDWICHED BETWEEN DOUBLERS AT BOTH RIBS #4 & #6



WIRE HINGE

WIRE HINGE



3/16 HARD

1/8" SQ

1/16 x 3/16

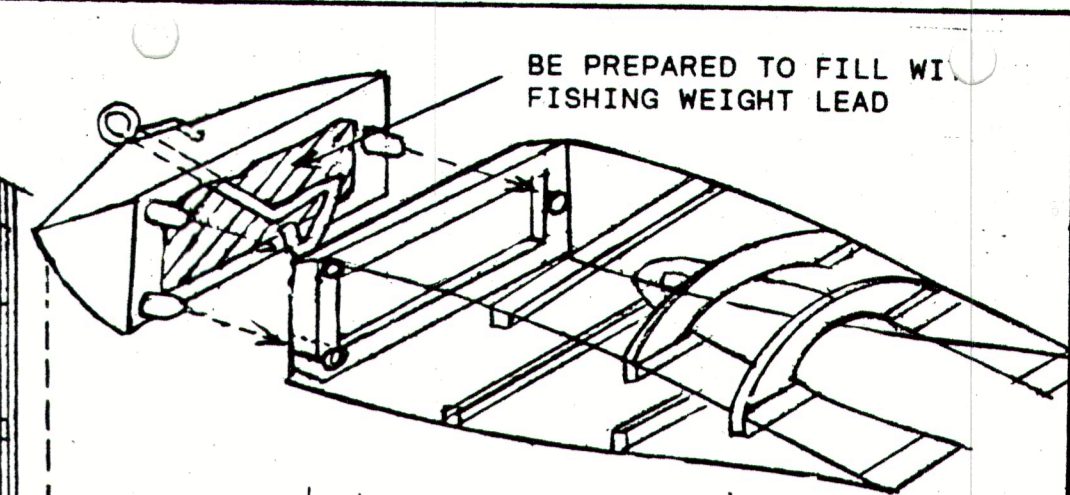
1/16 x 1/4

PAPER OR THIN Balsa FOR NACELLE SUPPORT 1/4 x 1/8 HARD TOP AND BOTTOM

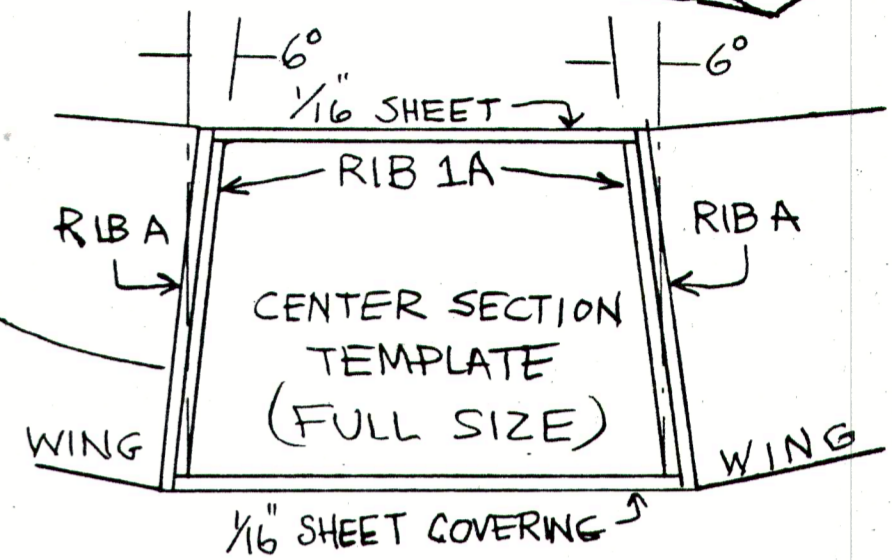
FILLET TO FACILITATE COVERING

Balsa FILL FROM N3 -----> N5

2 LAMINATIONS 1/16 SQ.



BE PREPARED TO FILL WITH FISHING WEIGHT LEAD



TOP AND BOTTOM NACELLE STRINGERS ARE SOAKED IN HOT H2O & LAID FLUSH TO THE Balsa SKIN AFTER THE FORMERS HAVE BEEN CENTERED AND AFFIXED.



HATCHED AREAS REMOVED AFTER ASSEMBLY



1 OF Balsa & 1 OF 1/32 PLY SANS NOTCHES FOR FACING

