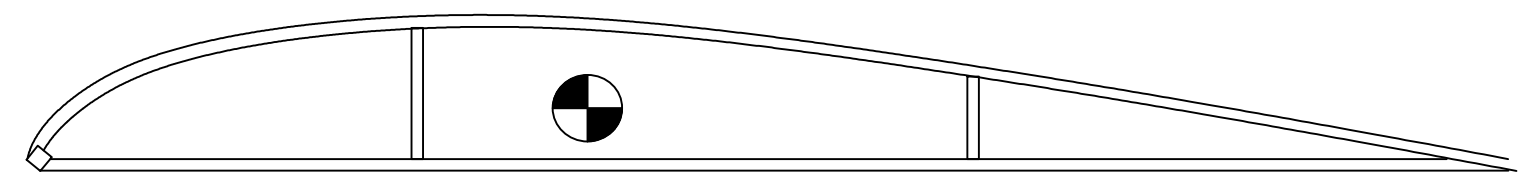
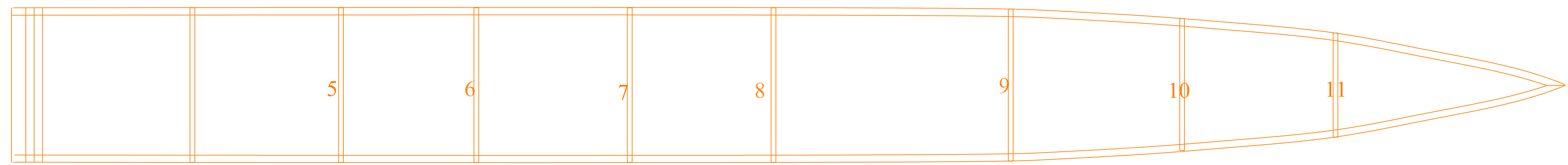
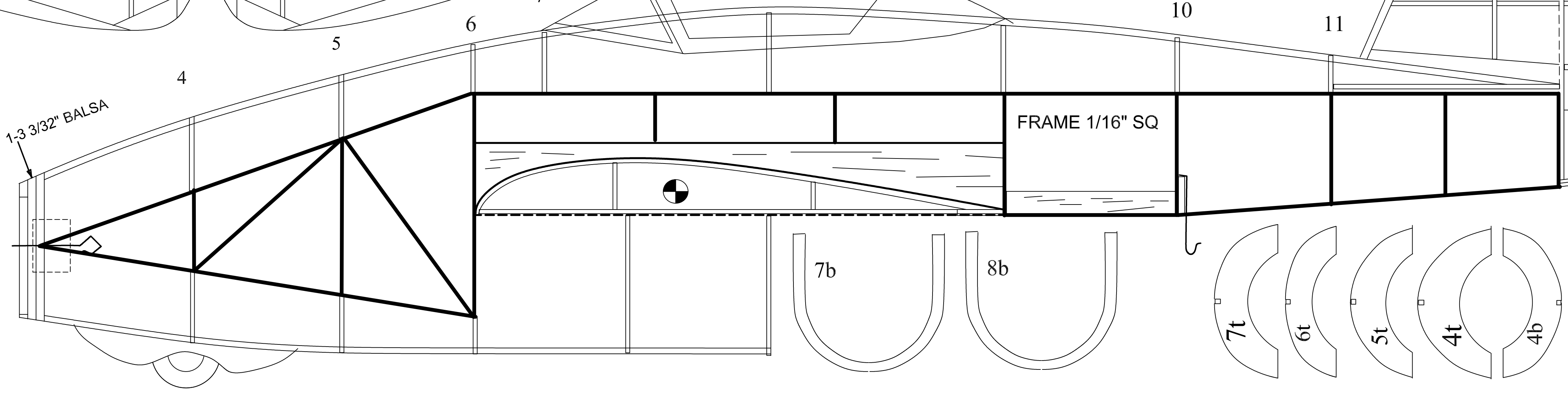
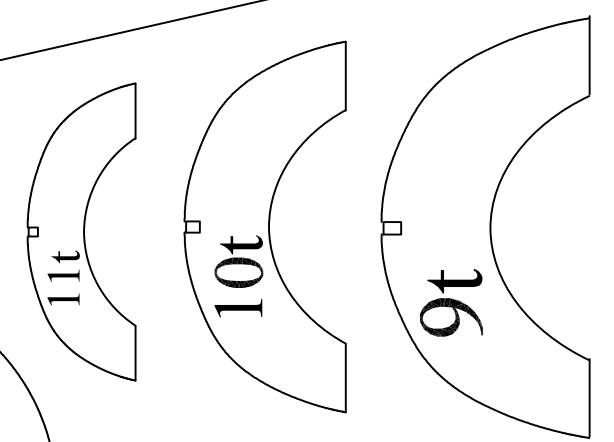
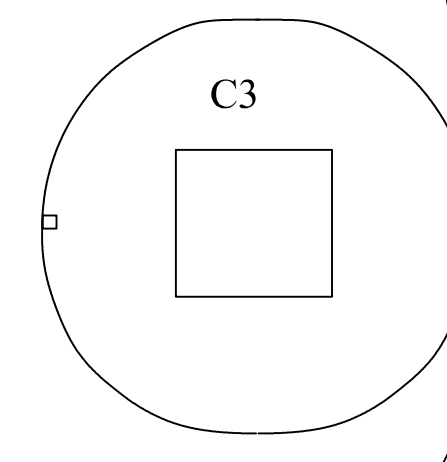
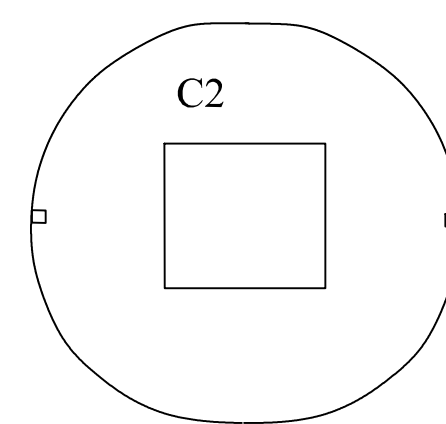
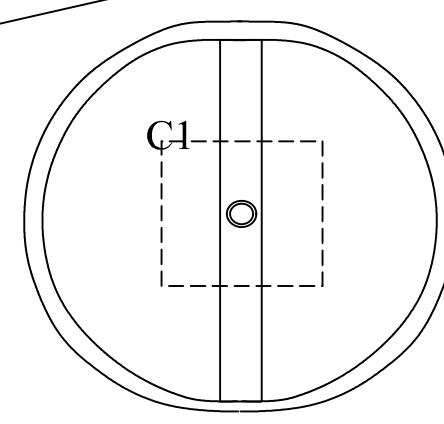
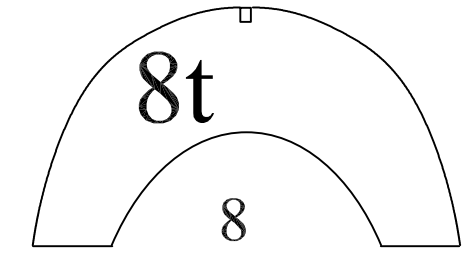
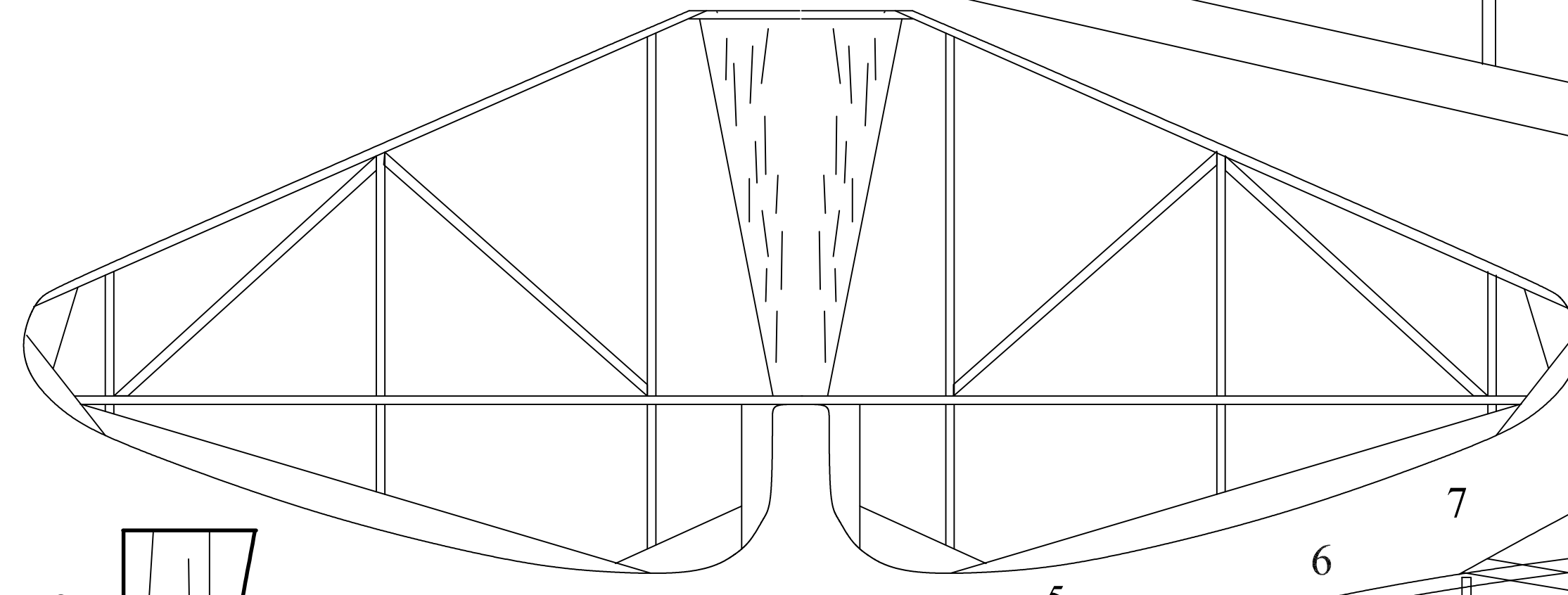
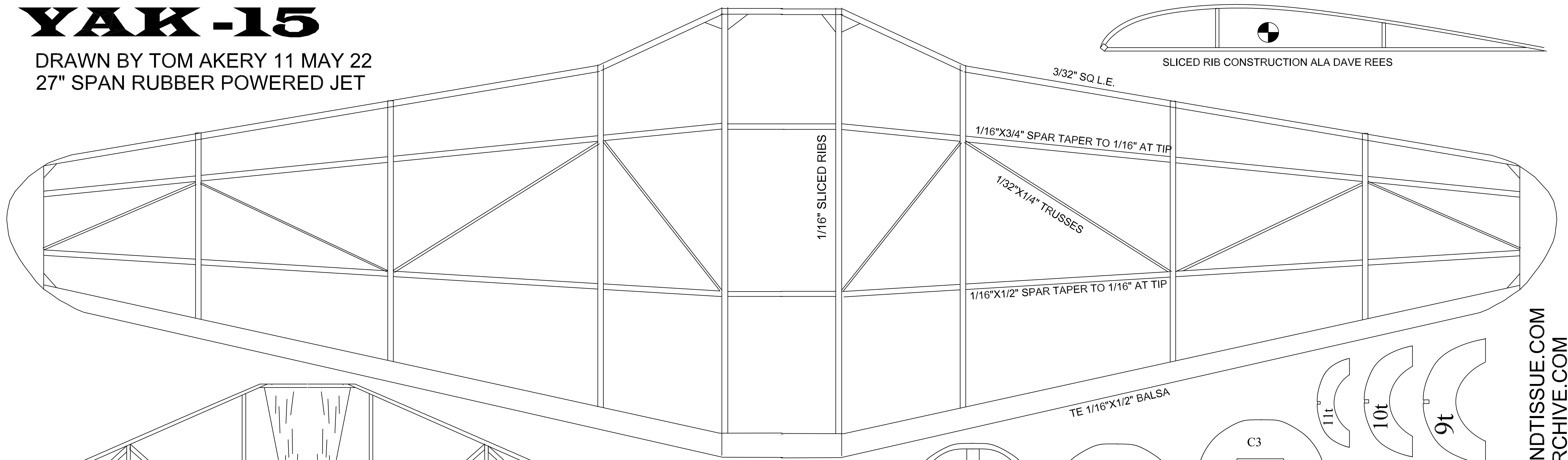


YAK-15

DRAWN BY TOM AKERY 11 MAY 22
27" SPAN RUBBER POWERED JET



SLICED RIB CONSTRUCTION ALA DAVE REES



MAKE TWO WING SADDLES FOR FUSELAGE SIDES

MAKE A CLEAR PROP FOR THE NOSE
USING YOUR FAVORITE PROP CONST

CHECK OUT STICKANDTISSUE.COM
AND FREEFLIGHTARCHIVE.COM