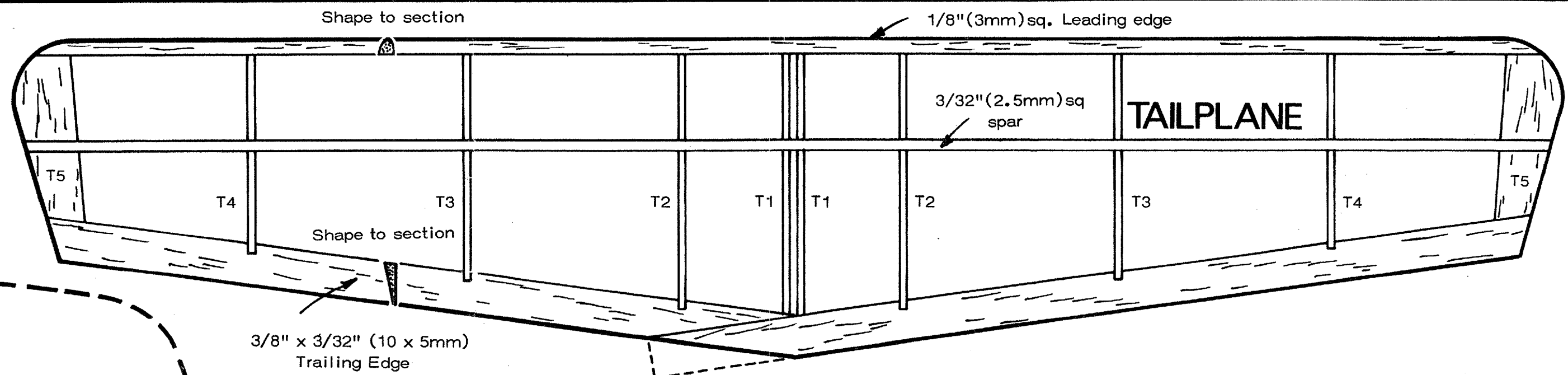


# KEIL KRAFT

## CONQUEST

30" (760mm) span Towline Glider



Front of fuselage is covered with 1/16" (1.5mm) sheet balsa, back to F2 on top and to F3 on bottom. Grain runs across fuselage.

