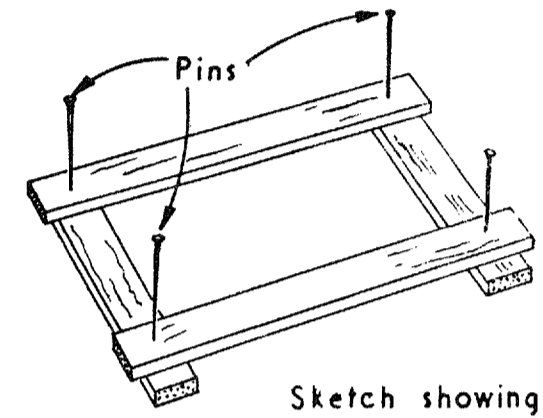
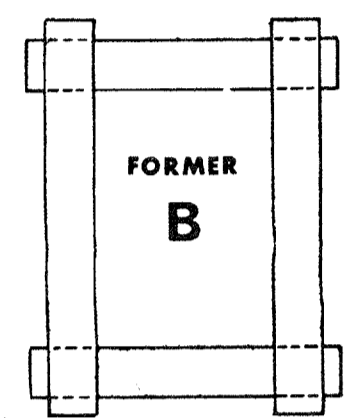
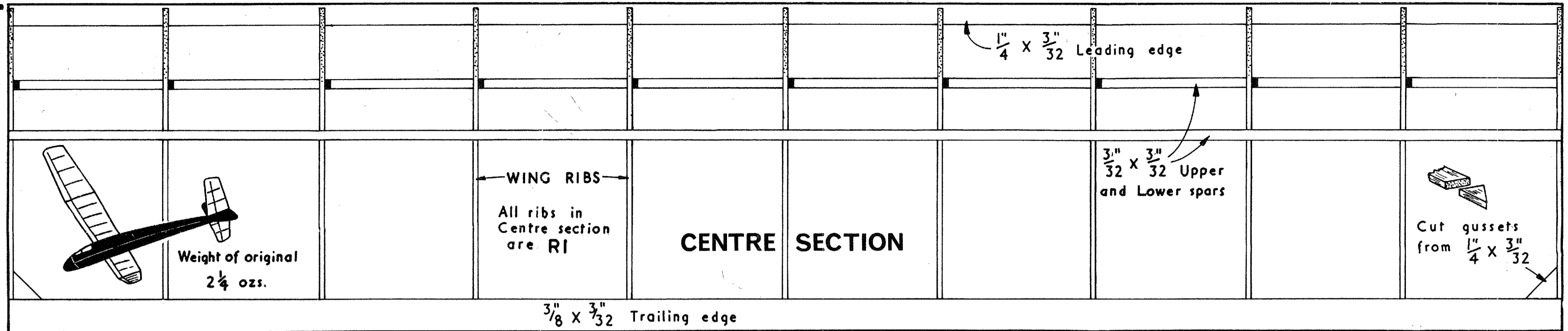


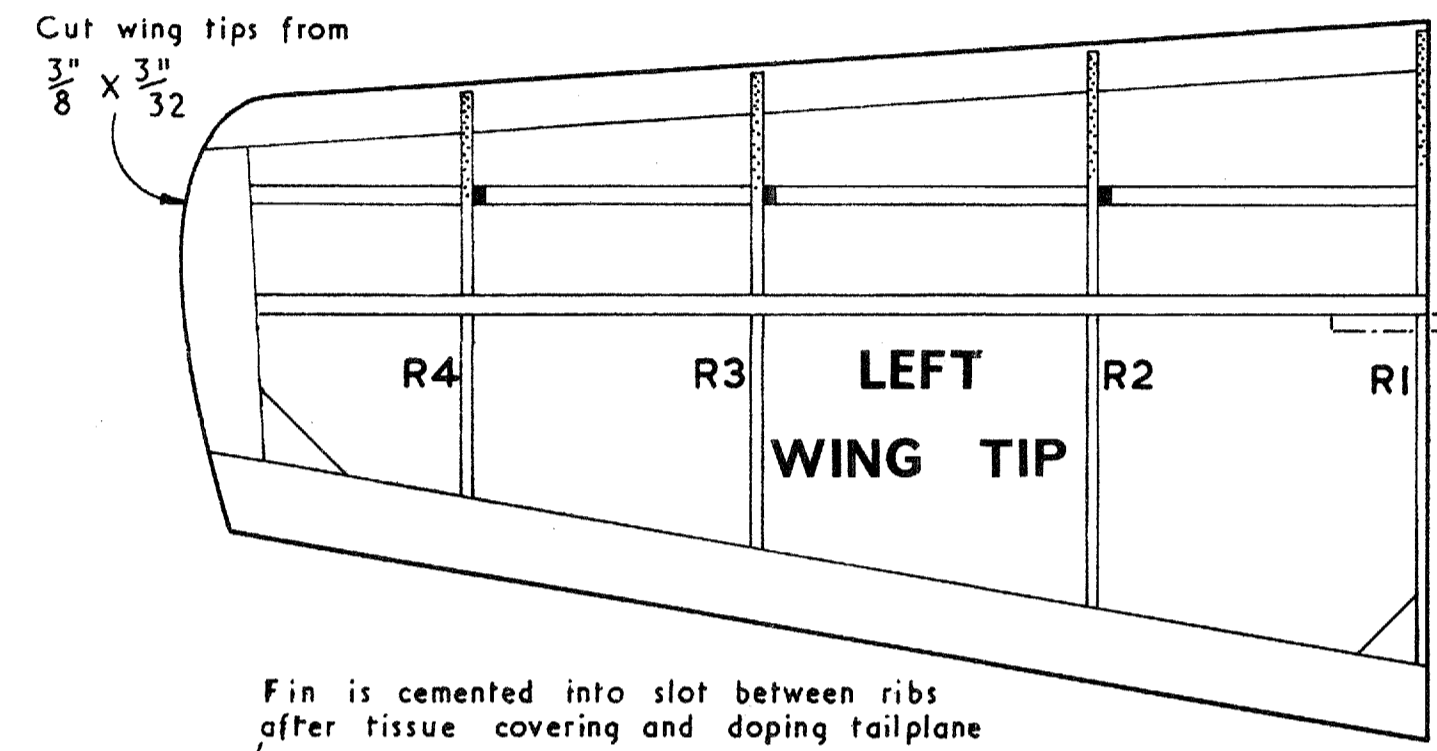
KEIL KRAFT

DOLPHIN

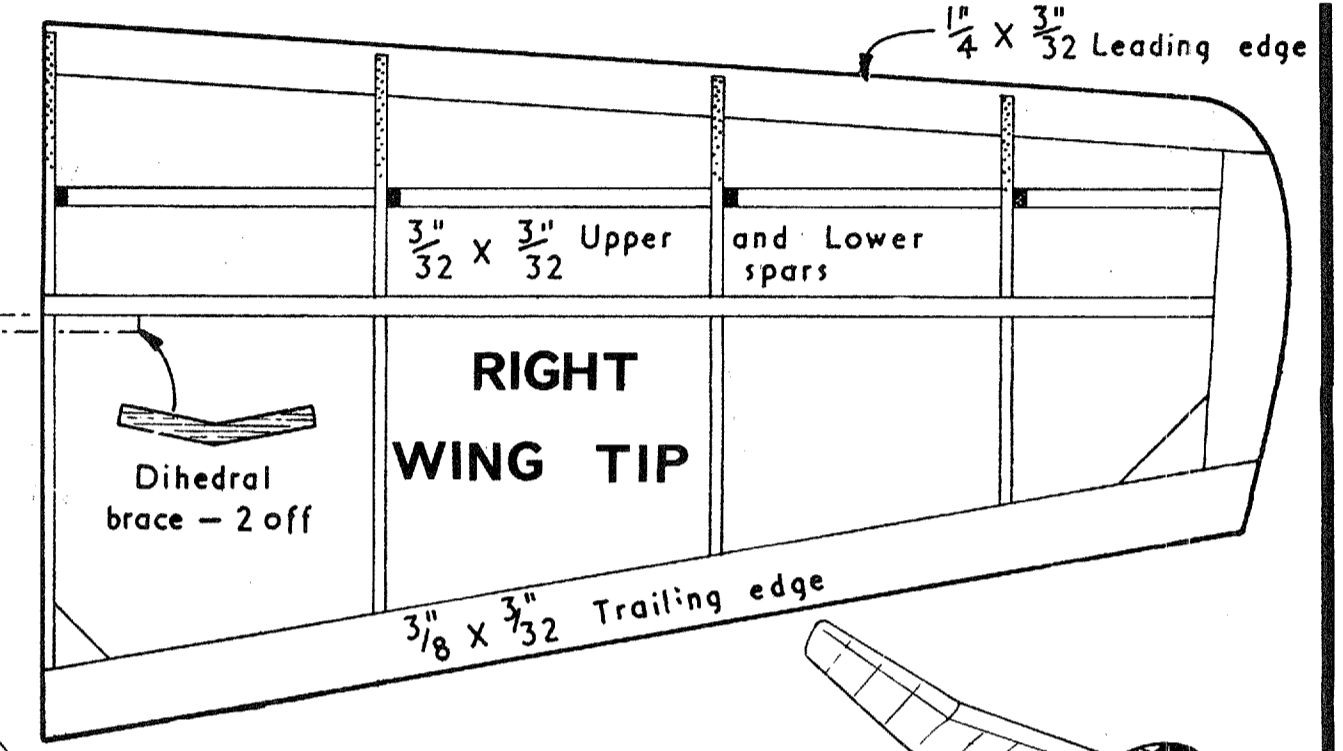
30" Span TOWLINE GLIDER



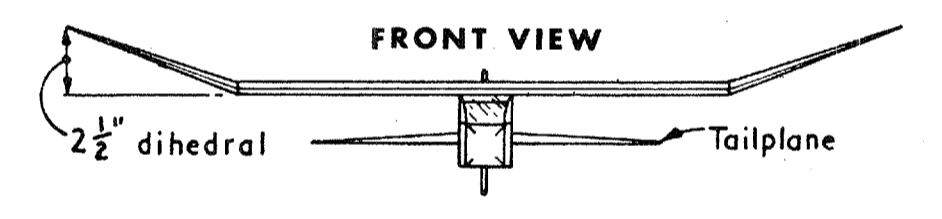
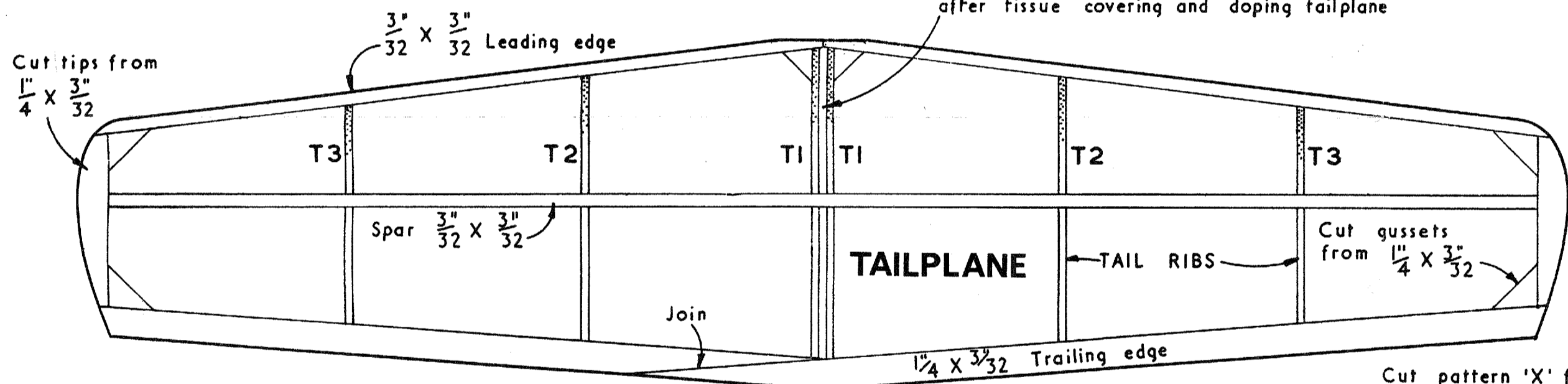
Make Former B over this layout from $\frac{1}{4} \times \frac{3}{32}$



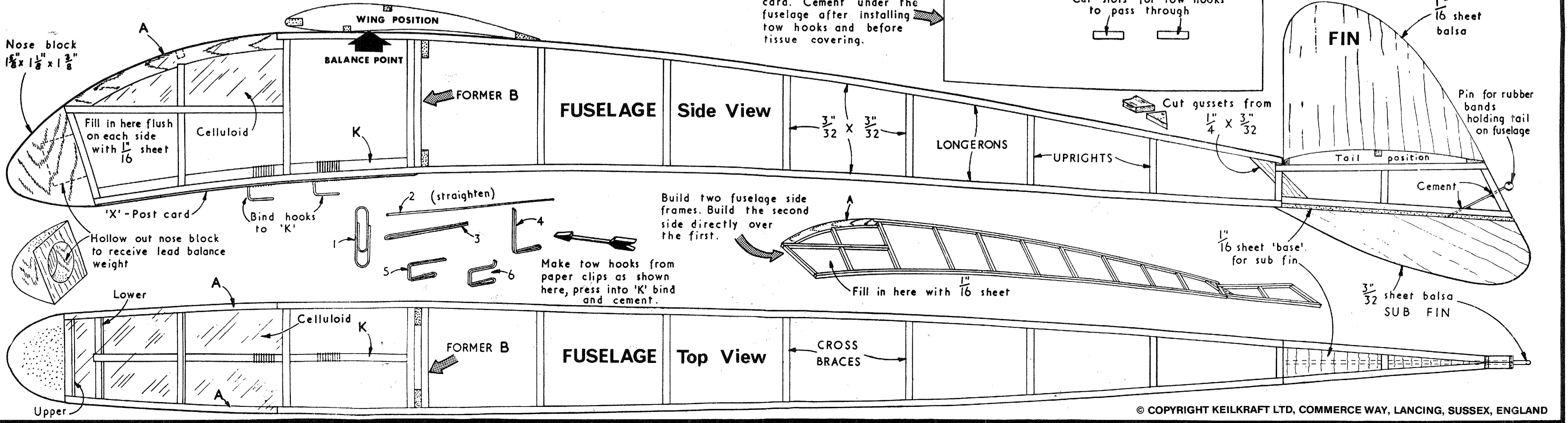
Cut this template from card and use it to tilt ribs R1 of each wing tip, so that $2\frac{1}{2}$ " dihedral is obtained when the tips are joined to the centre section



Sketch of tip construction showing method of using card template to tilt rib R1



DESIGNED BY Albert Hatfull



Build two fuselage side frames. Build the second side directly over the first.

Make tow hooks from paper clips as shown here, press into 'K' bind and cement.