

FIG. 3 - WINGS

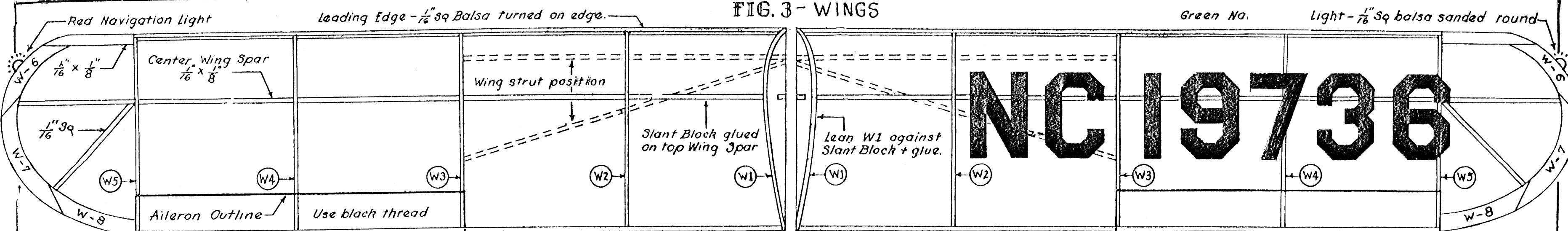


FIG. 4 ADJUSTABLE STABILIZER

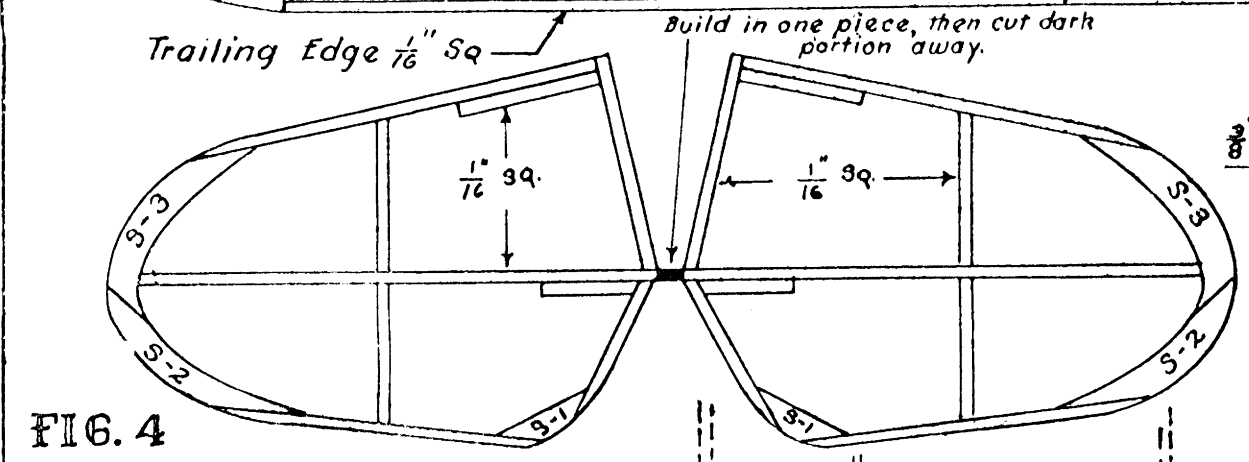


FIG. 2 FUSELAGE (Top View)

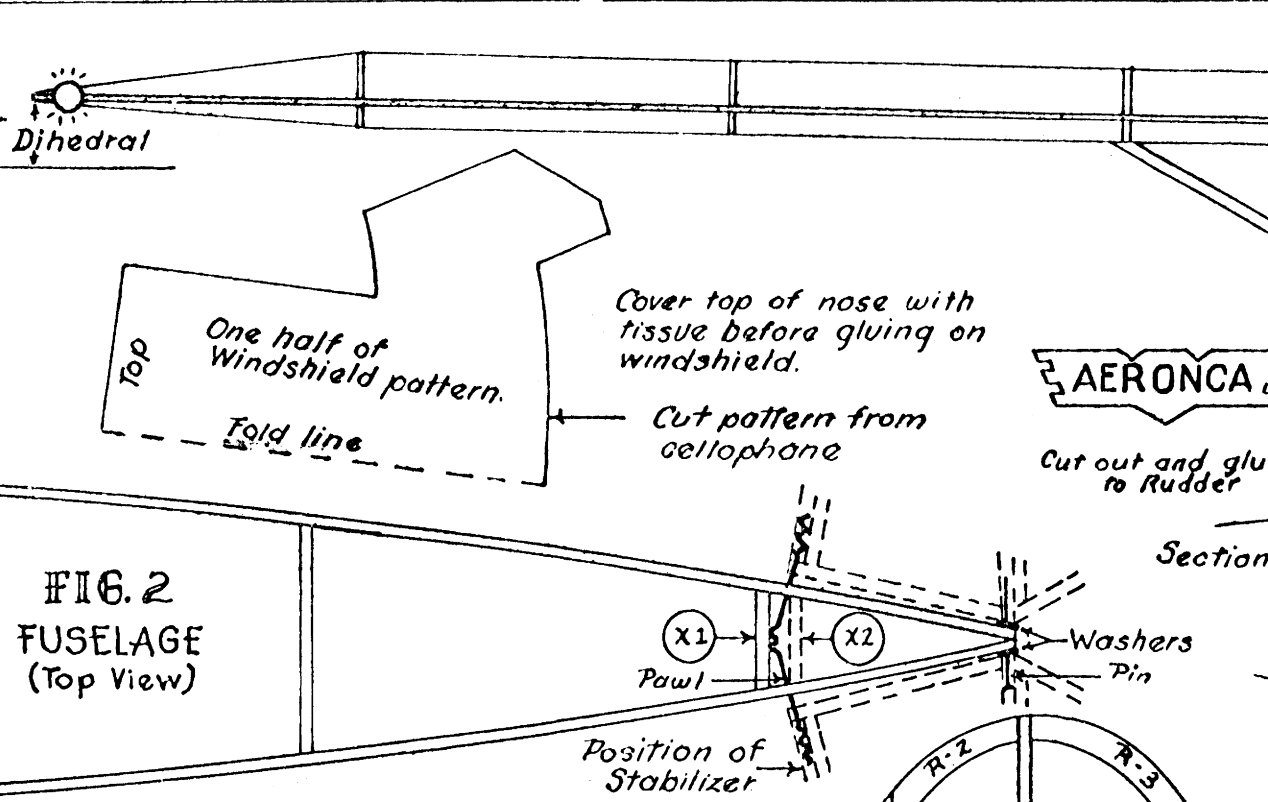
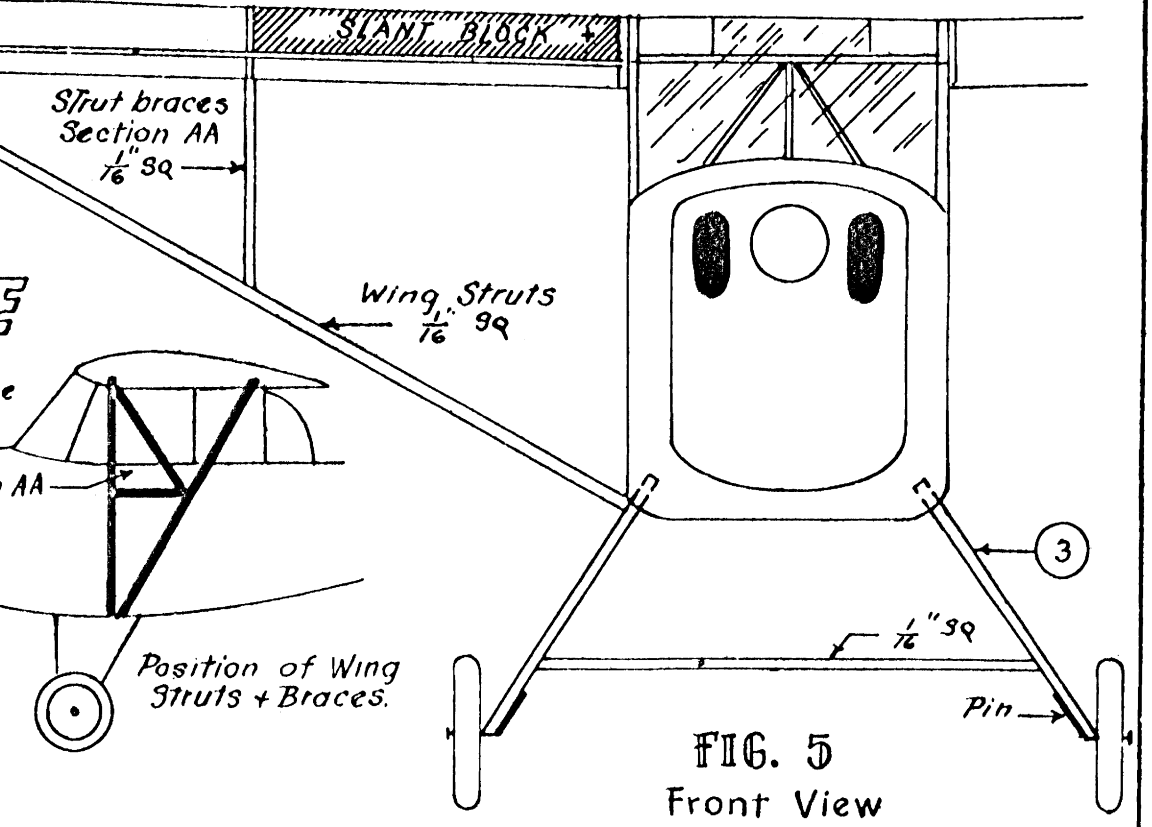


FIG. 5 Front View



Perspective View of FUSELAGE frame.

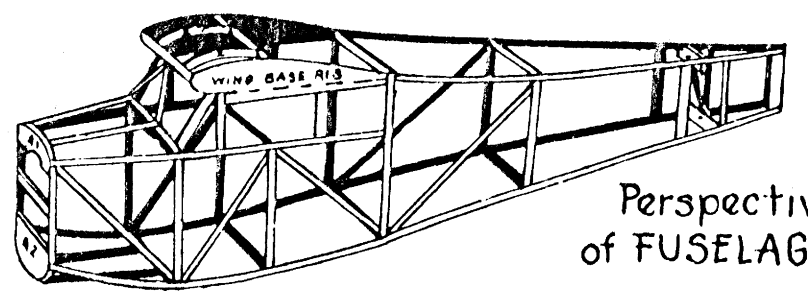
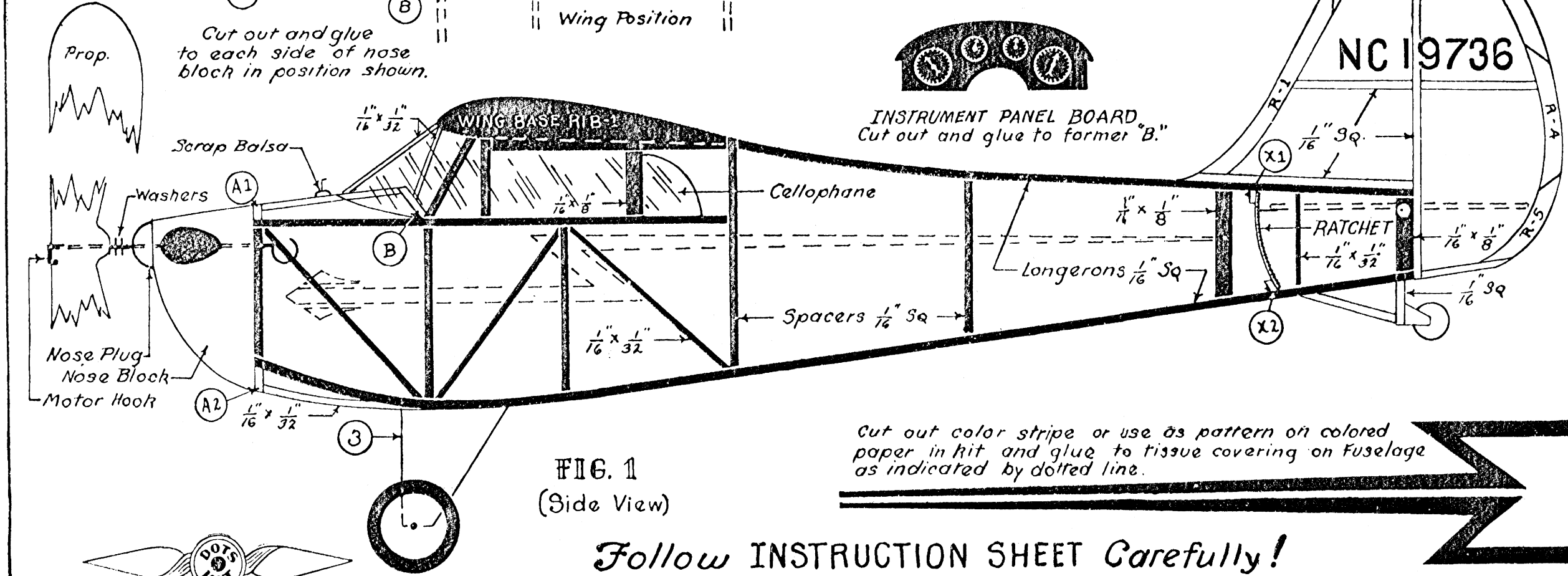


FIG. 1 (Side View)



Cut out color stripe or use as pattern on colored paper in kit and glue to tissue covering on fuselage as indicated by dotted line.

Follow INSTRUCTION SHEET Carefully!

TRADE MARK  REG. U.S. PAT. OFF.

**ARONCA-KC 113-2**  
WING SPAN ~ 21 in.

The **HI-FLIER MFG. CO.**  
DECATUR - ILLINOIS  
The World's Largest Manufacturers of Aerial Toys  
PAT. APPL'D FOR US PATENT OFFICE