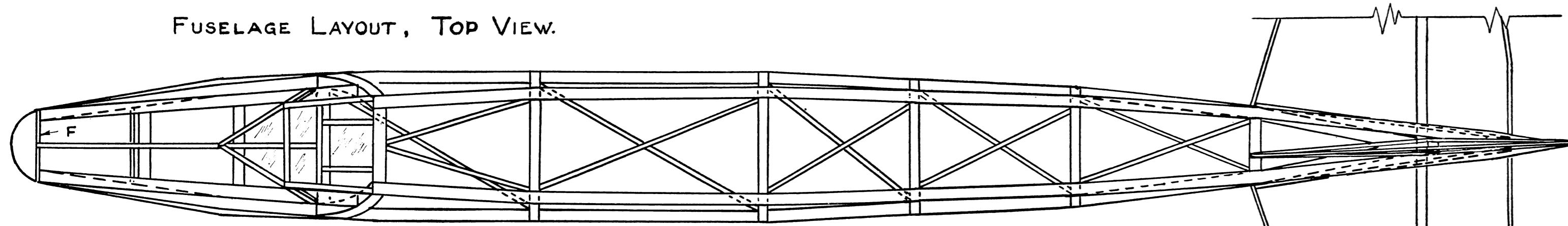
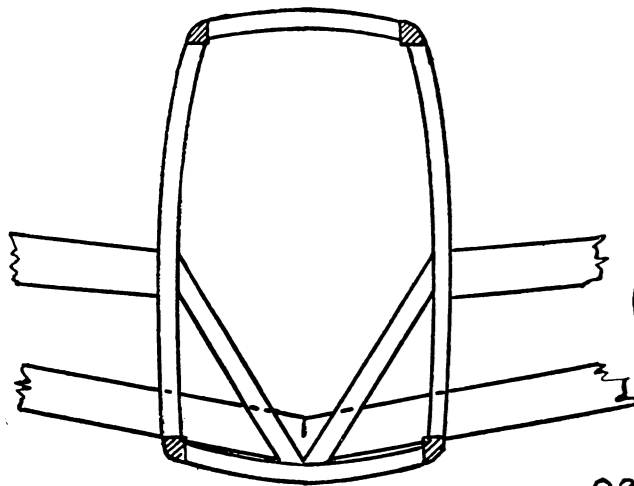


FUSELAGE LAYOUT, TOP VIEW.

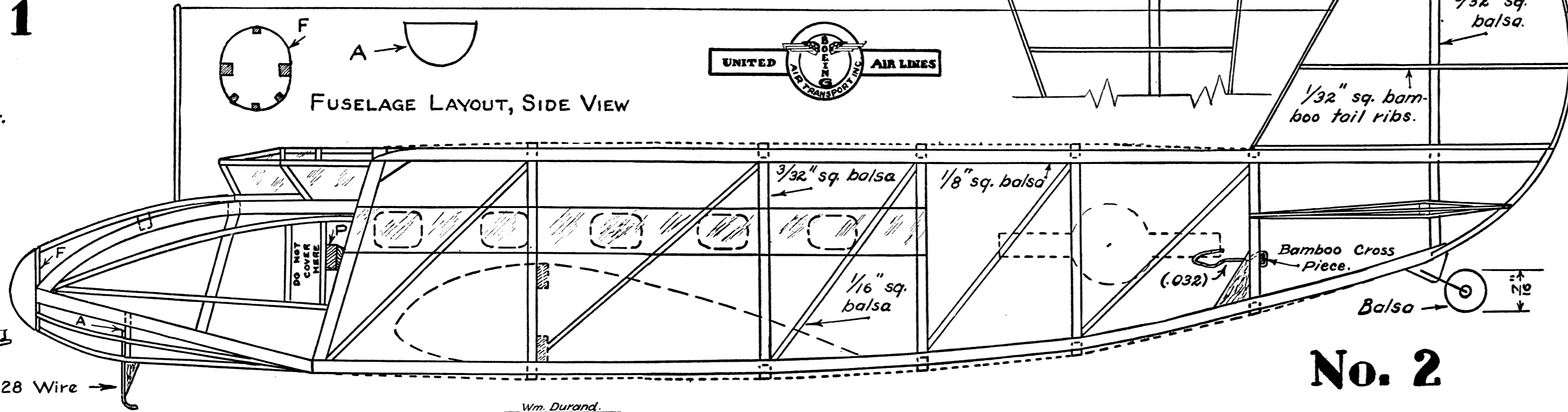


No. 1

Below: FUSELAGE CROSS SECTION AT WING ROOT.

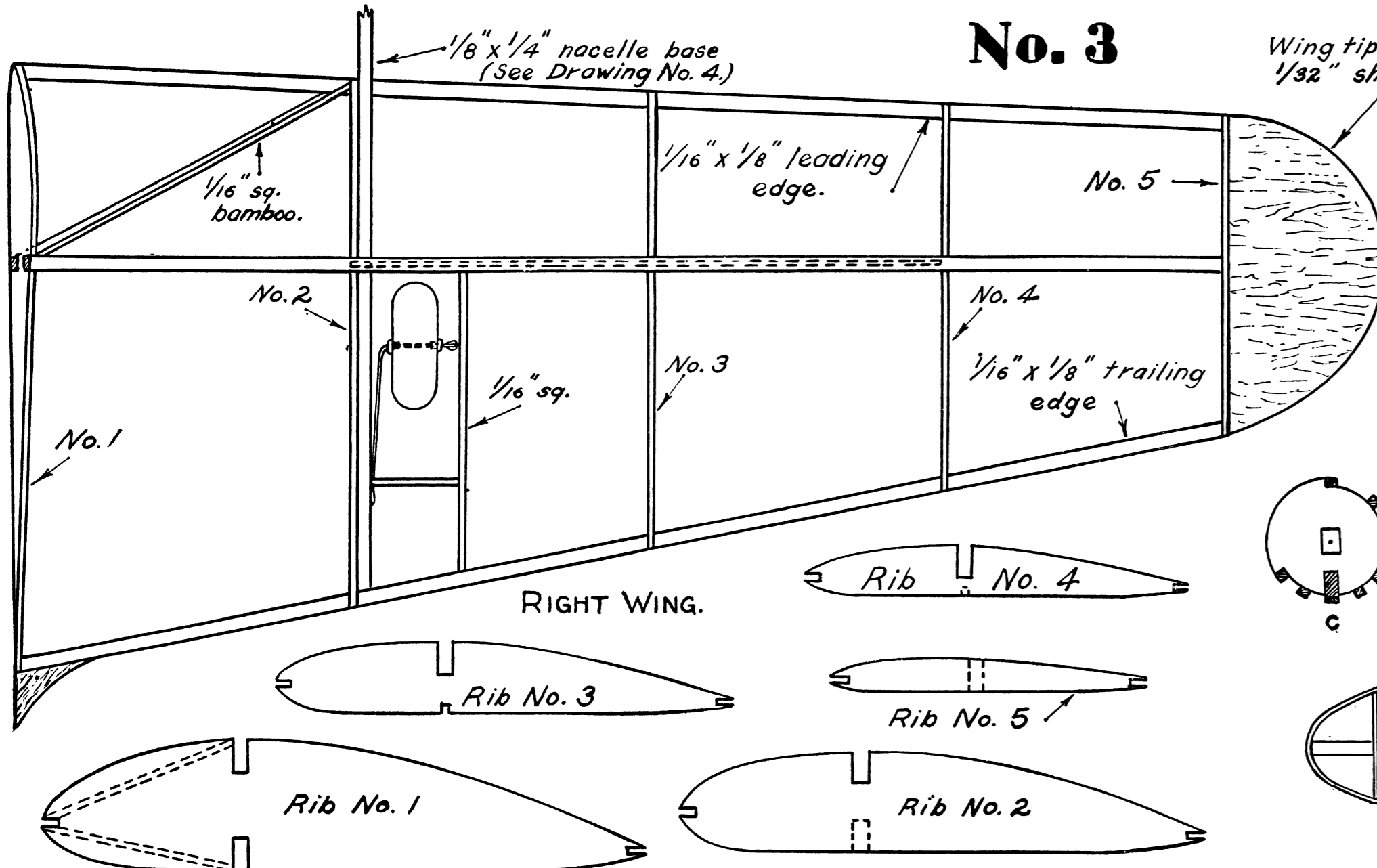


FUSELAGE LAYOUT, SIDE VIEW



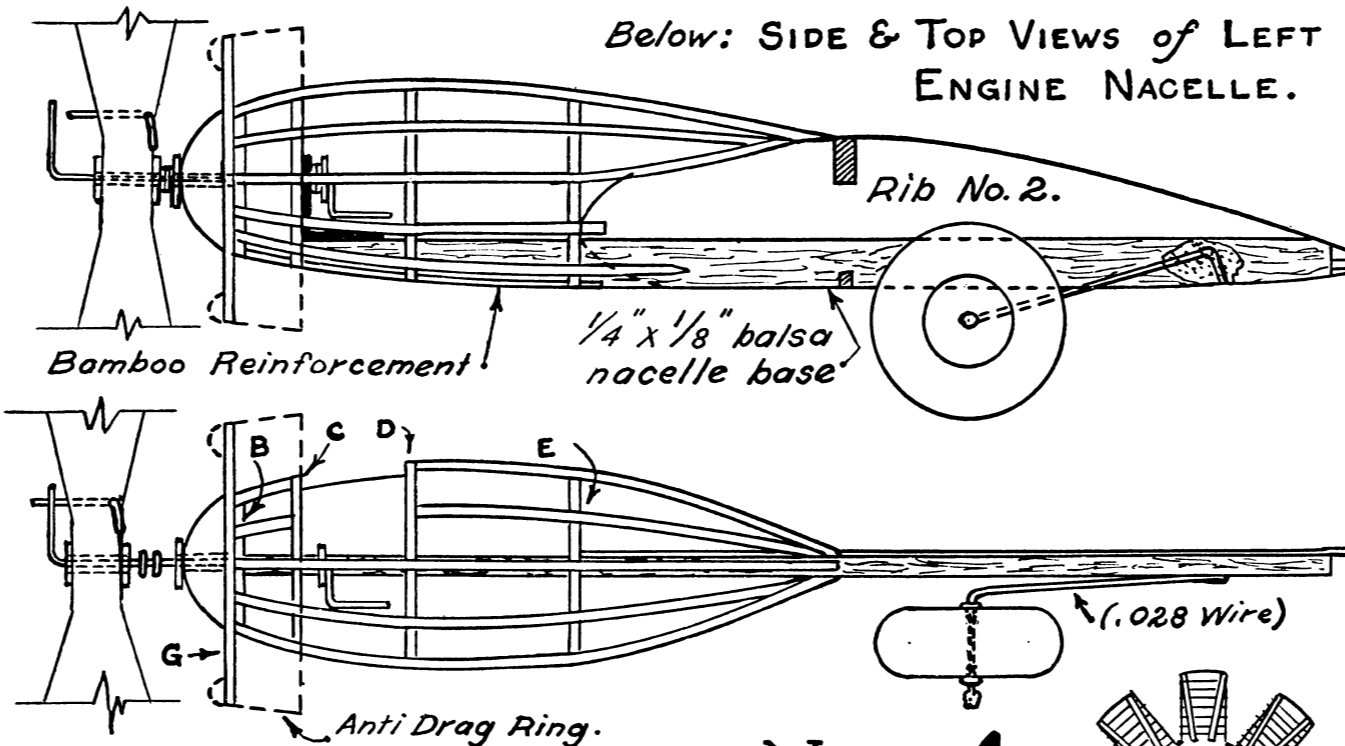
No. 2

No. 3



RIGHT WING.

Below: SIDE & TOP VIEWS of LEFT ENGINE NACELLE.

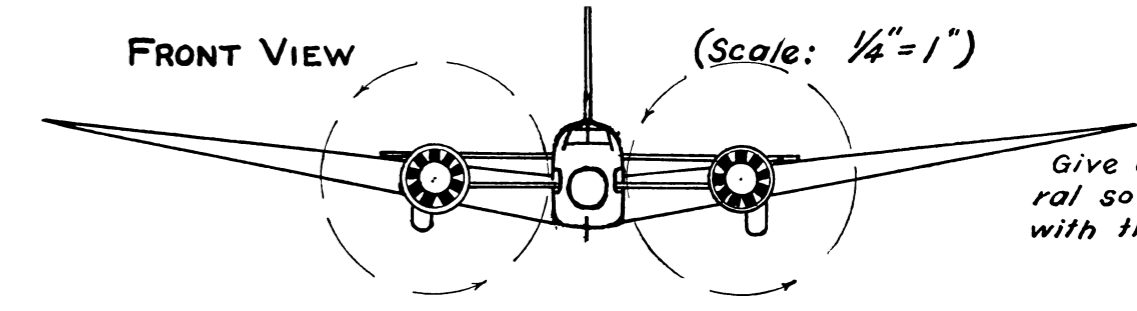


No. 4

STABILIZER.

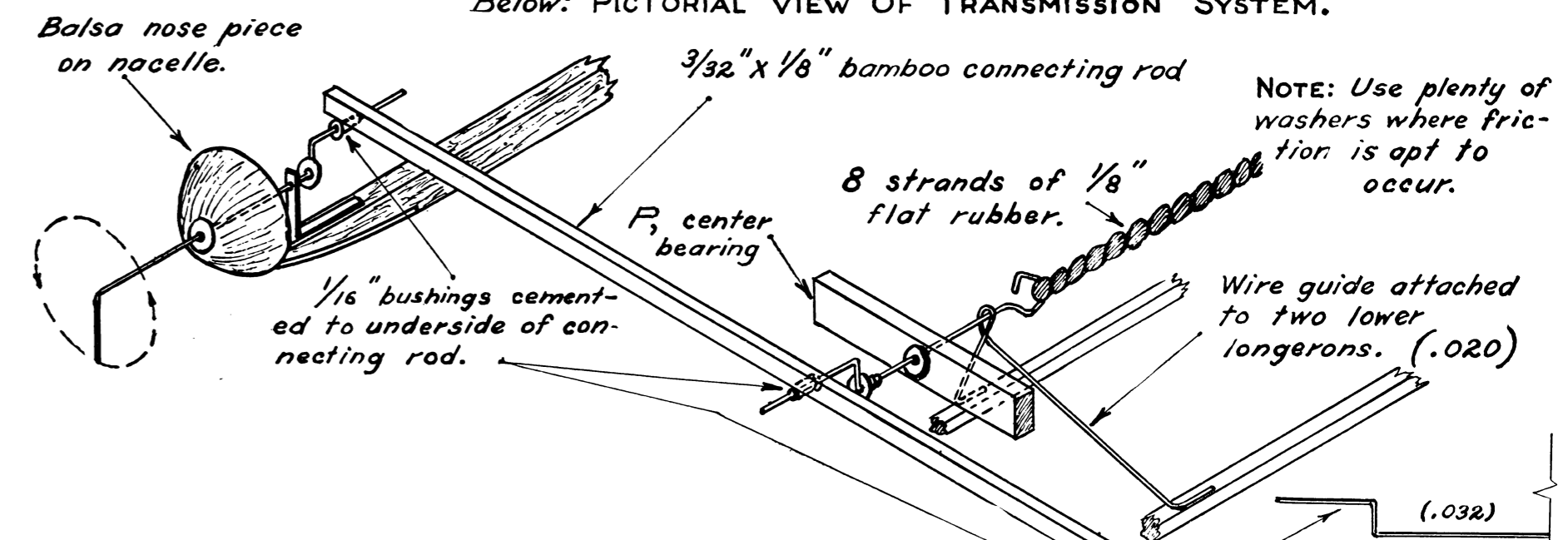
No. 5

FRONT VIEW (Scale:  $1/4"=1"$ )



Give each wing enough dihedral so that the tips are even with the top longerons of the fuselage.

Below: PICTORIAL VIEW OF TRANSMISSION SYSTEM.



Below: PROPELLER BLOCK DETAIL

