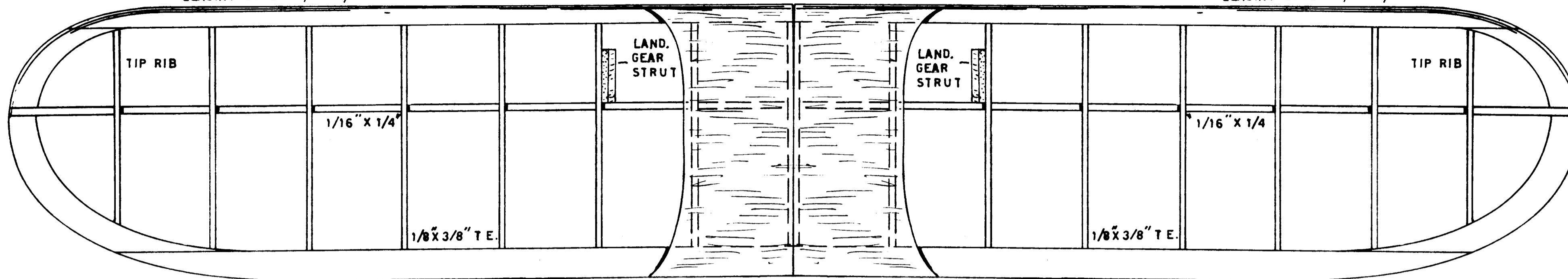
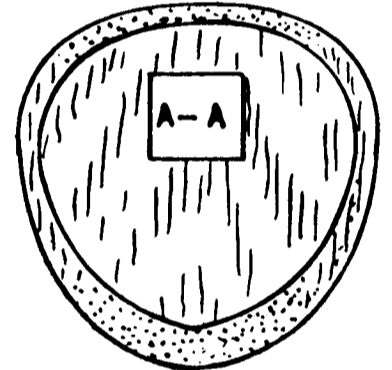
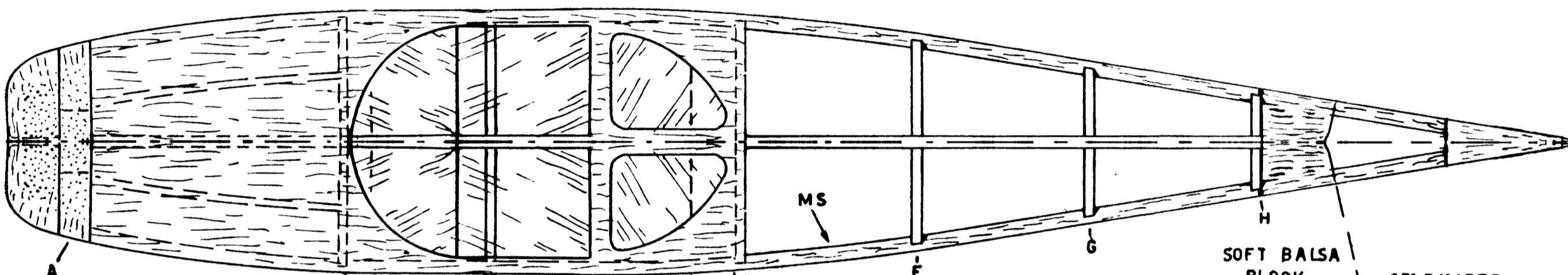


LEADING EDGE IS 1/4" X 1/4"

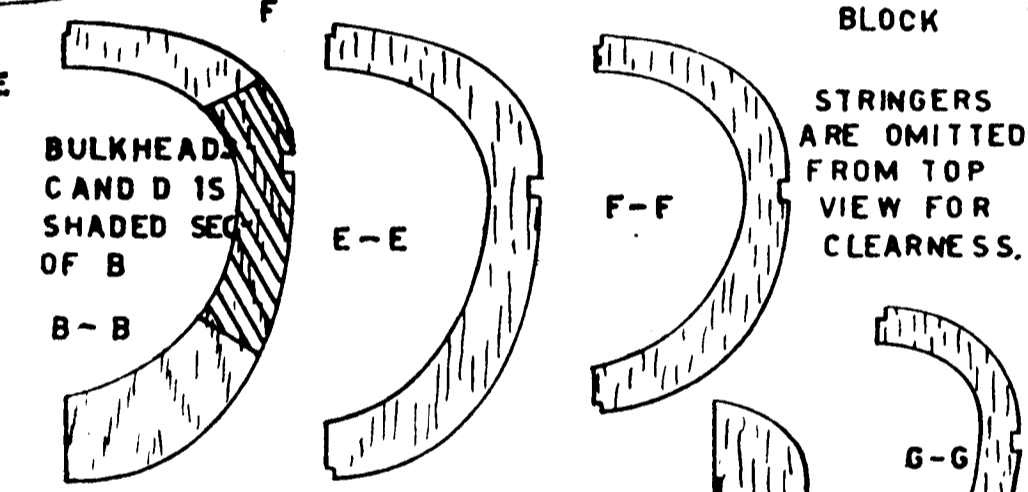
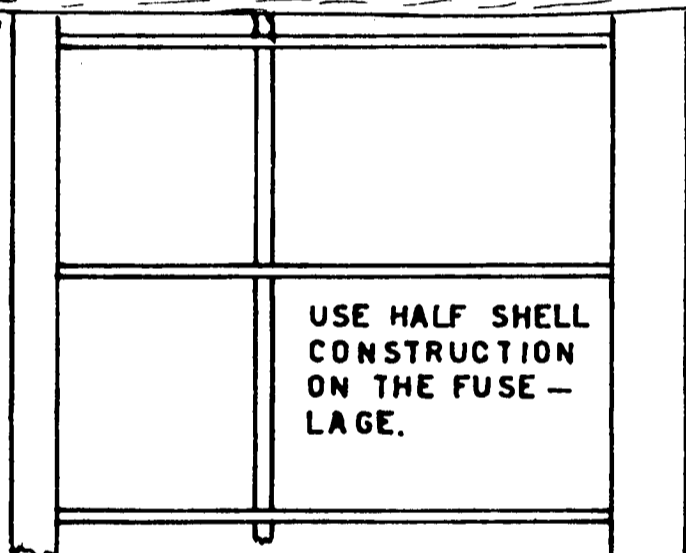
LEADING EDGE IS 1/4" X 1/4"



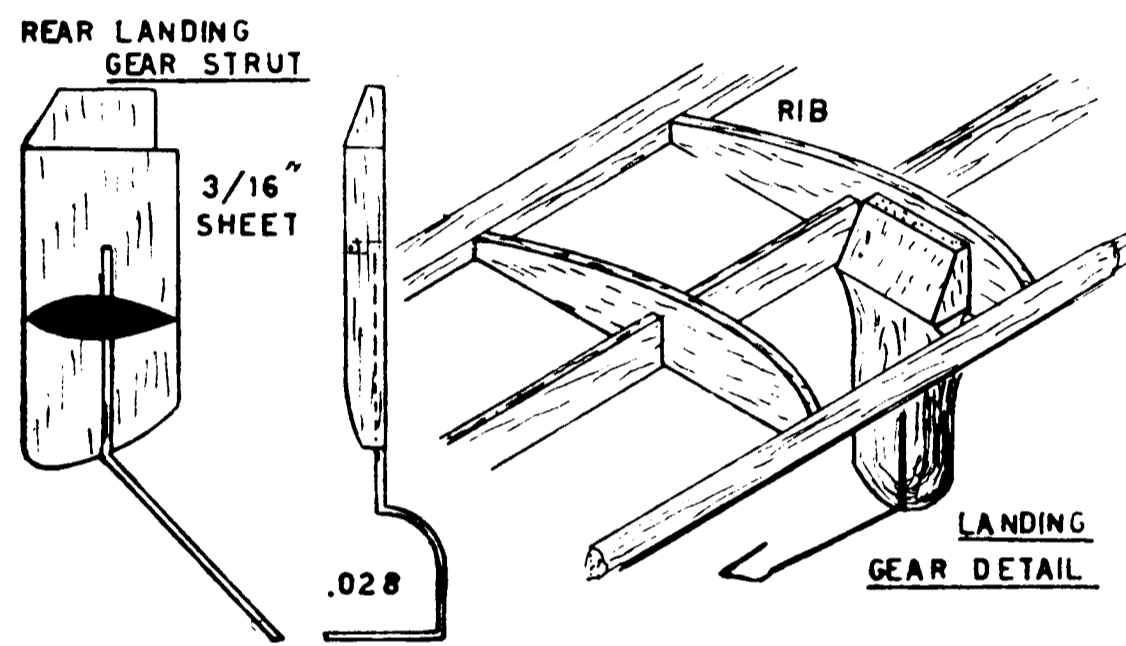
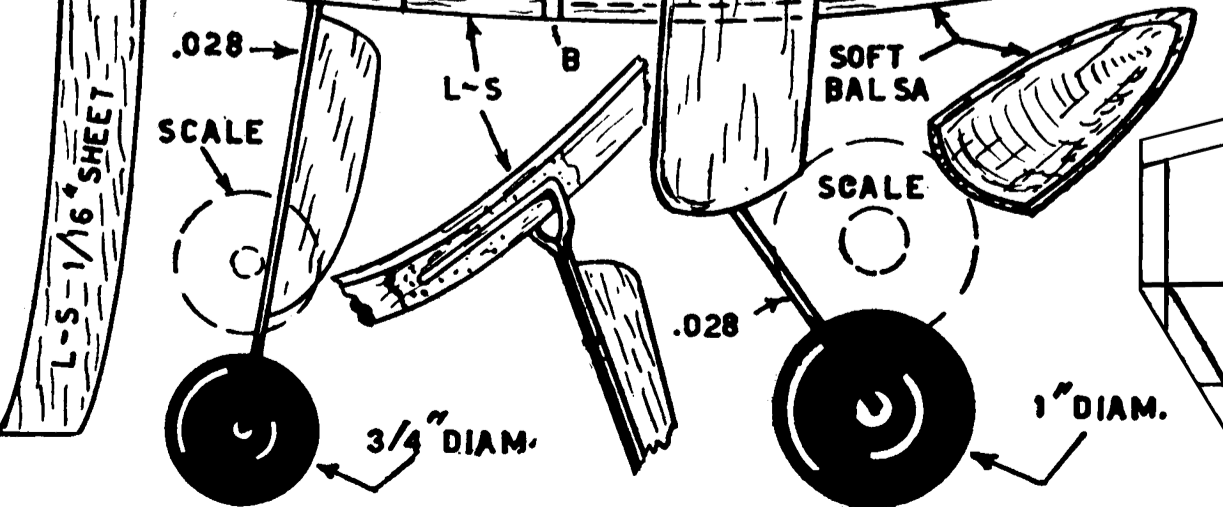
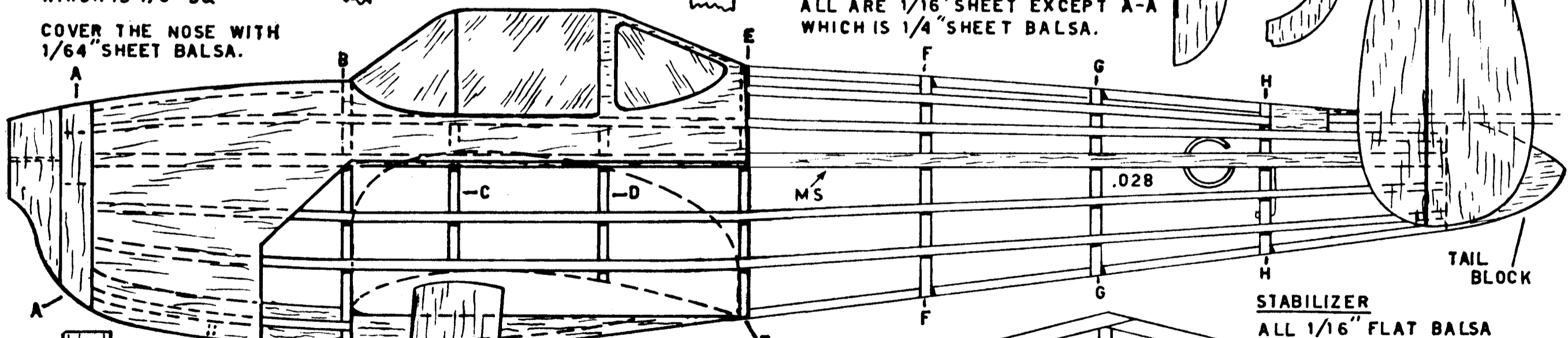
From  
February 1941  
**Model Airplane News**



ALL FUSELAGE STRINGERS ARE 1/16" X 1/16" BUT MS WHICH IS 1/8" SQ.  
COVER THE NOSE WITH 1/64" SHEET BALS.



FUSELAGE BULKHEADS ALL ARE 1/16" SHEET EXCEPT A-A WHICH IS 1/4" SHEET BALS.



ALL THE WING RIBS ARE CUT FROM 1/16" SHEET BALS AS IS THE WING TIP. COVER THE CENTER SECTION WITH 1/64" SHEET BALS.

**"THE ERCOUCPE SPORTPLANE"**

SCALE PROP. - BASSWOOD

