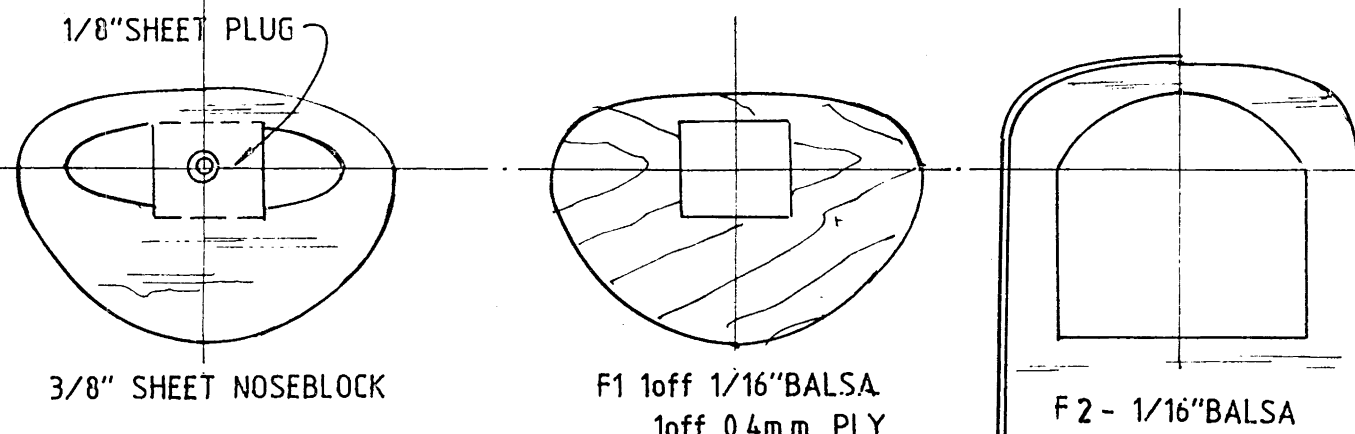


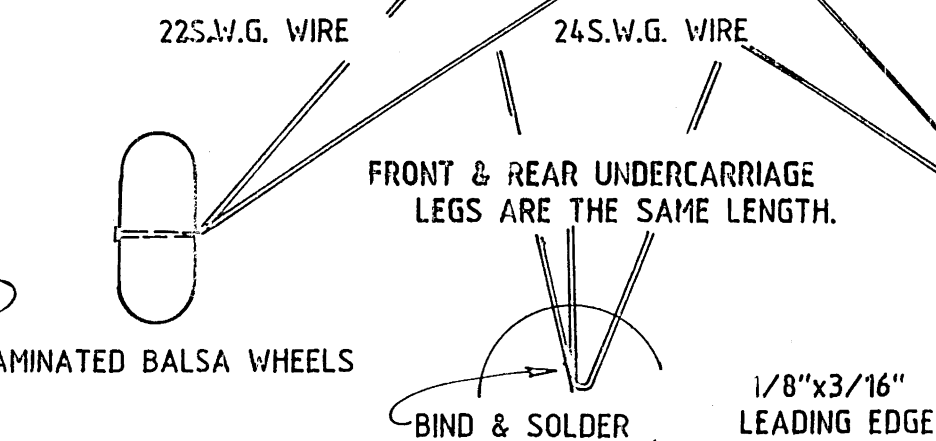
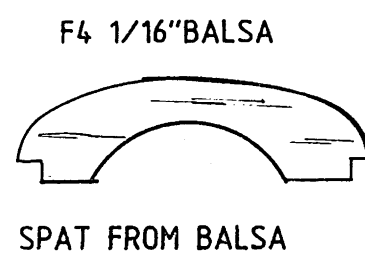
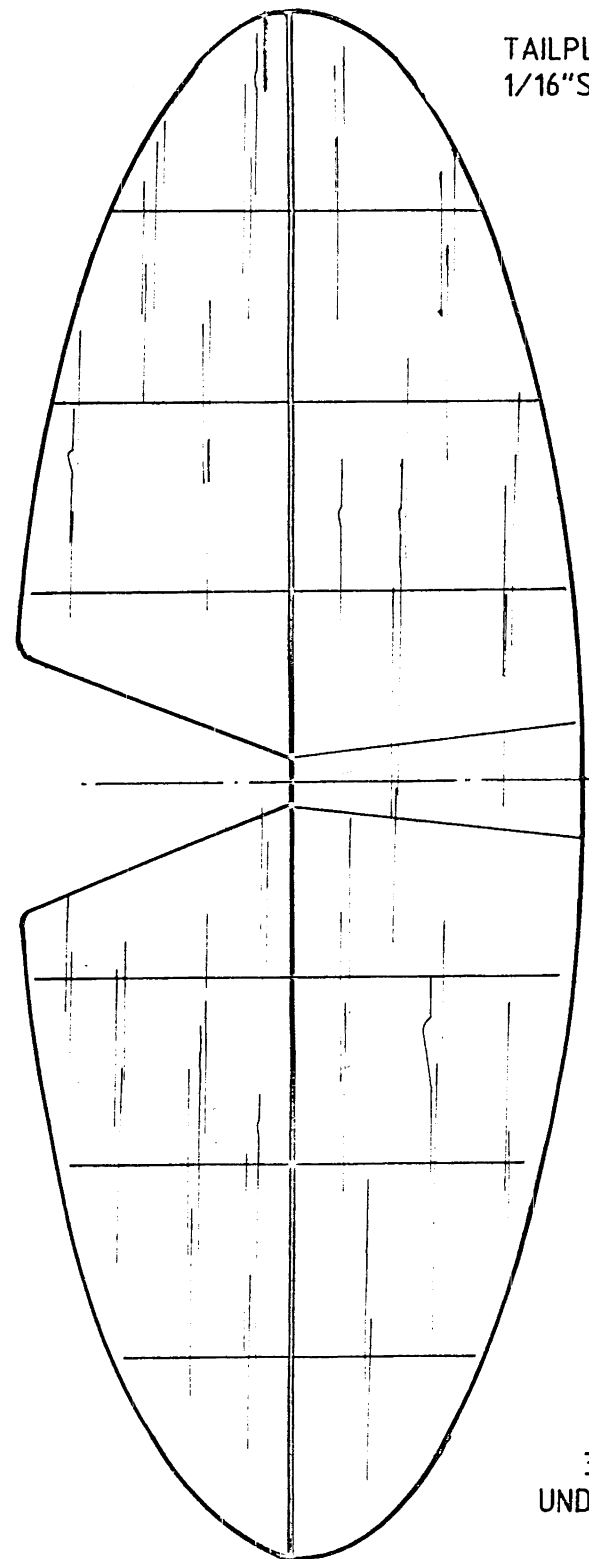
INTERSTATE CADET

DESIGNED BY PHILLIP S. KENT

STANDARD COLOUR SCHEME ON NC15535
YELLOW WINGS, BLUE FUSELAGE WITH
YELLOW TRIM.
N37394 RED ALL OVER WITH BLACK &
WHITE TRIM.



TAILPLANE FROM MEDIUM
1/16" SHEET Balsa



6" Ø PLASTIC
PROP.

BUILD IN
DOWN &
RIGHT
SIDE THRUSTS

SECTION AT A-A

ORIGINAL MODEL COVERED IN
LIGHTWEIGHT MODELSPAN TISSUE
MAKE UP COWL & BUTT JOIN
ONTO MAIN FUSELAGE

COWL FROM 1/24"
ROLLED Balsa

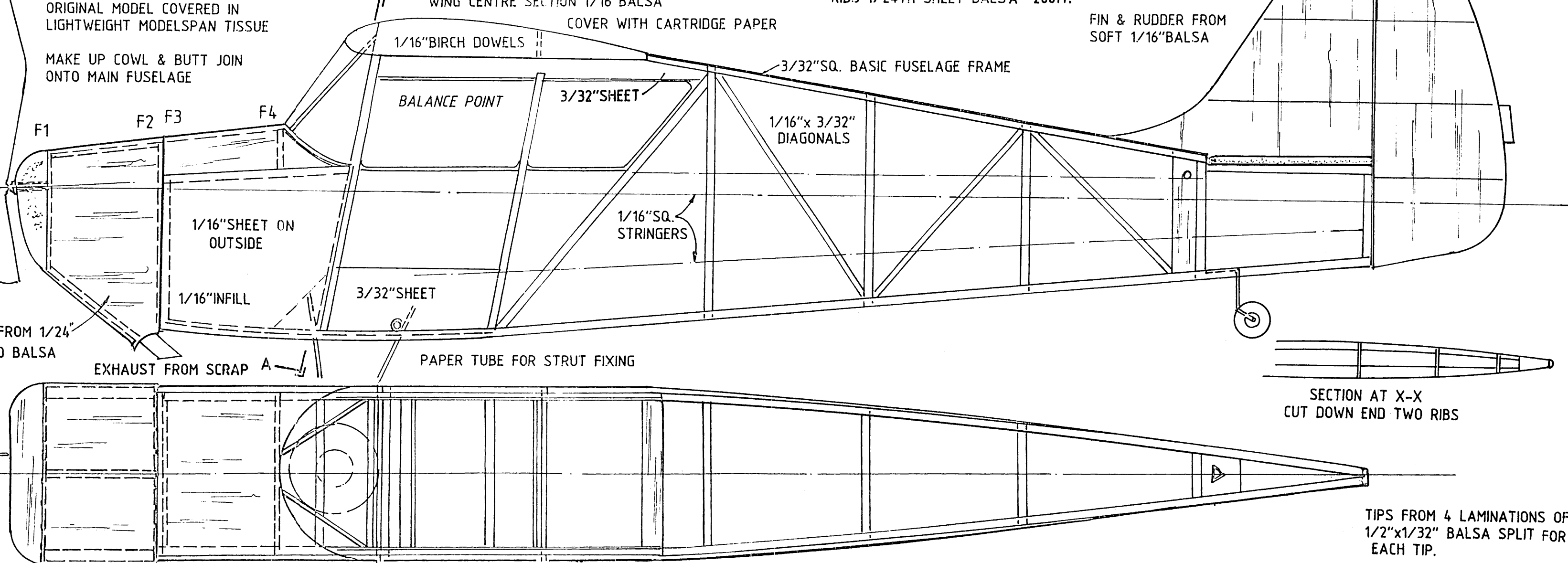
EXHAUST FROM SCRAP

PAPER TUBE FOR STRUT FIXING

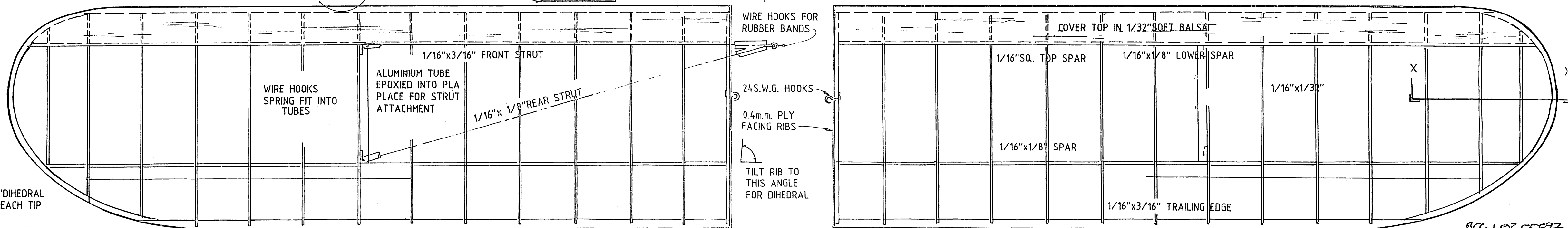
WING CENTRE SECTION 1/16" Balsa
COVER WITH CARTRIDGE PAPER

RIBS 1/24TH SHEET Balsa 28 off.

FIN & RUDDER FROM
SOFT 1/16" Balsa



TIPS FROM 4 LAMINATIONS OF
1/2" x 1/32" Balsa SPLIT FOR
EACH TIP.



BCW 020097