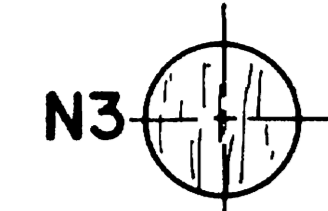


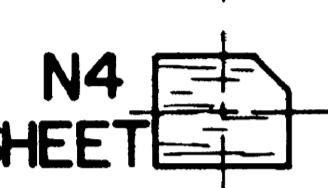
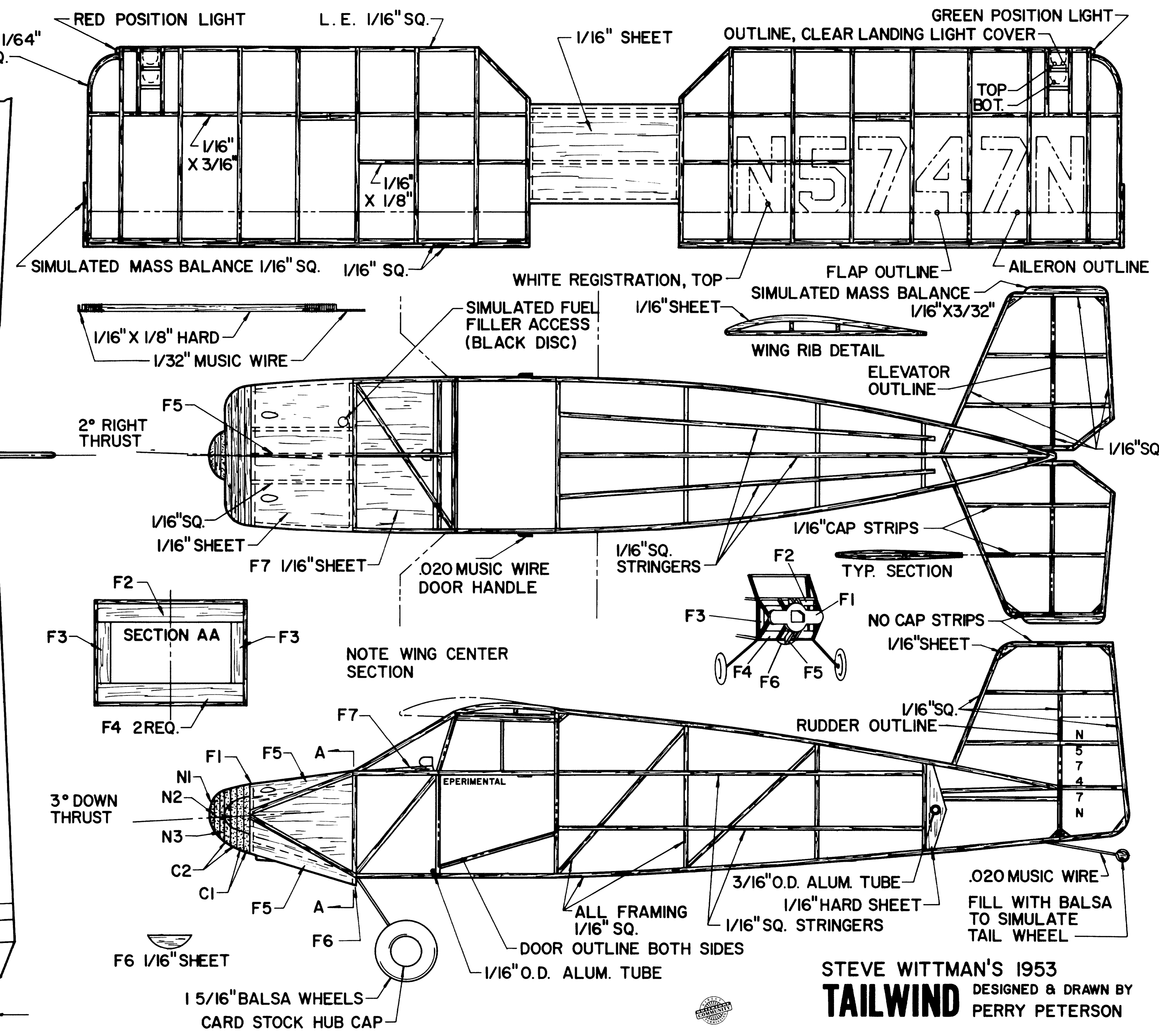
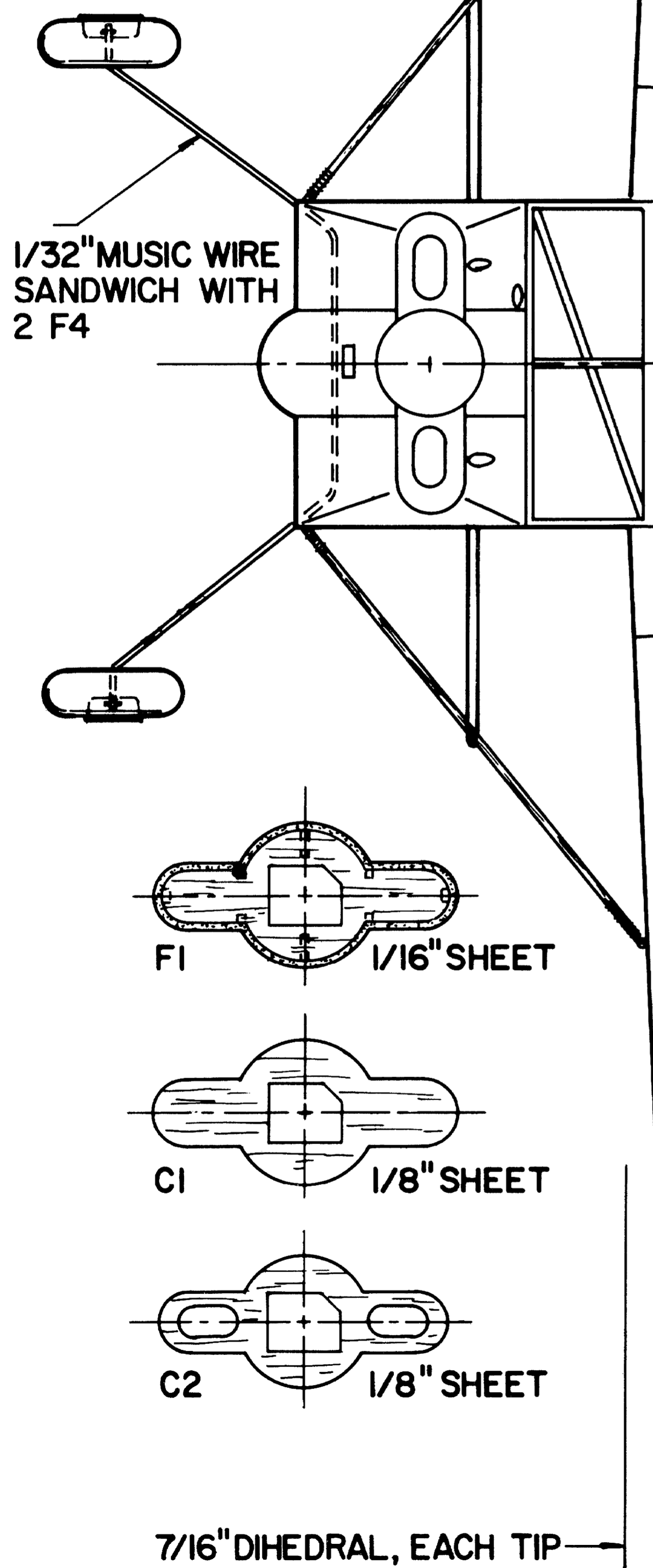


- N3  LAMINATED 1/64" X 1/16" 5 REQ.
- N2  N1, 2 & 3 3/32" SHEET
- N1  1/16" O.D. ALUM. TUBE
- N4  1/8" SHEET



STEVE WITTMAN'S 1953
TAILWIND DESIGNED & DRAWN BY
 PERRY PETERSON

