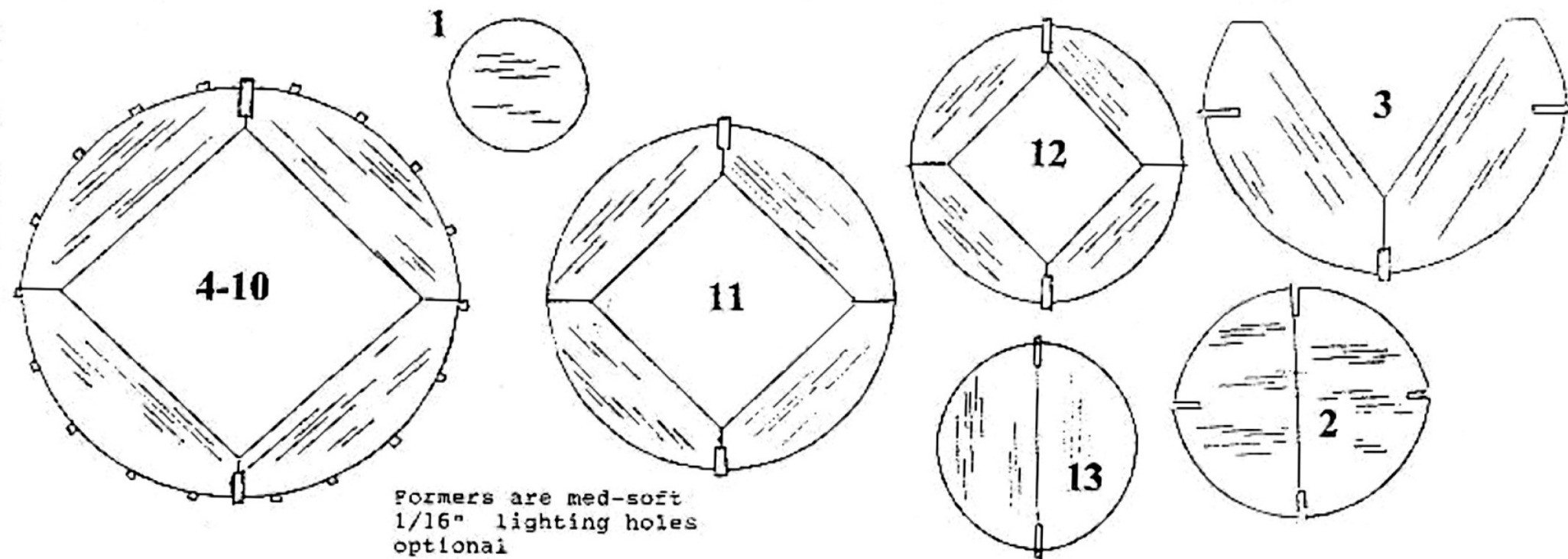


# Dehavilland DASH-8

- 32" Wingspan for Rubber Powered Free Flight
- Prototype weight 77 grams without rubber
- Designed and drawn by Chris Starleaf 1996

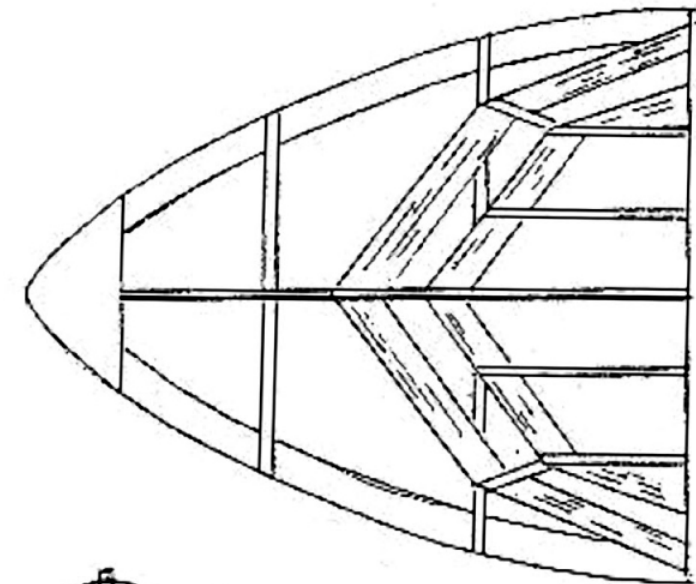


Formers are med-soft  
1/16" lighting holes  
optional

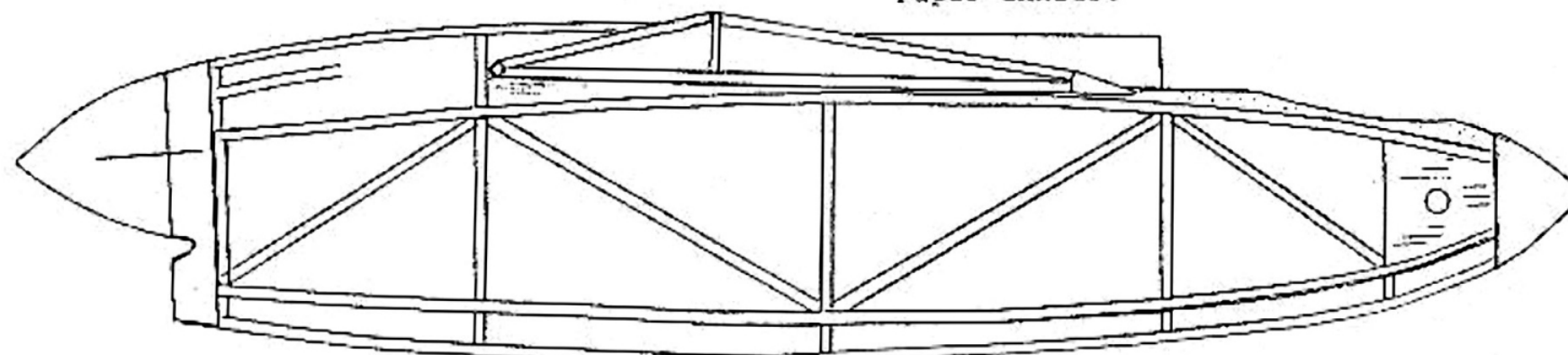


station 2

station 1

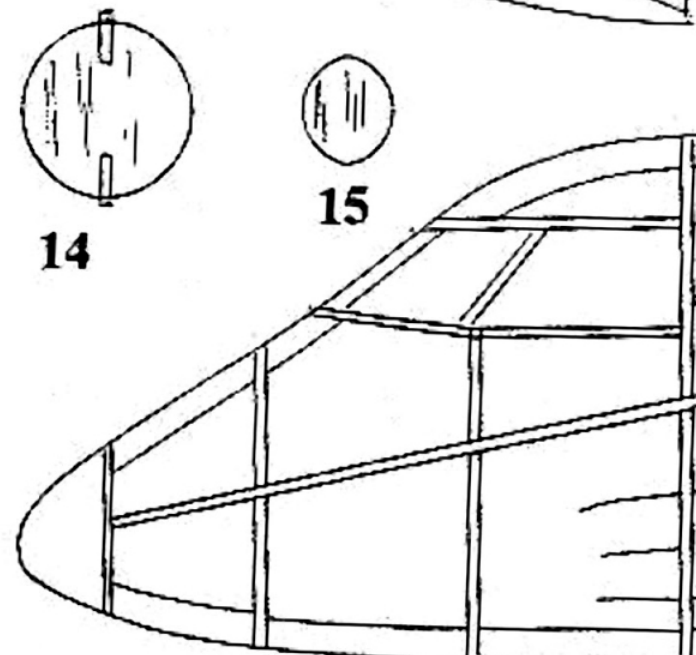
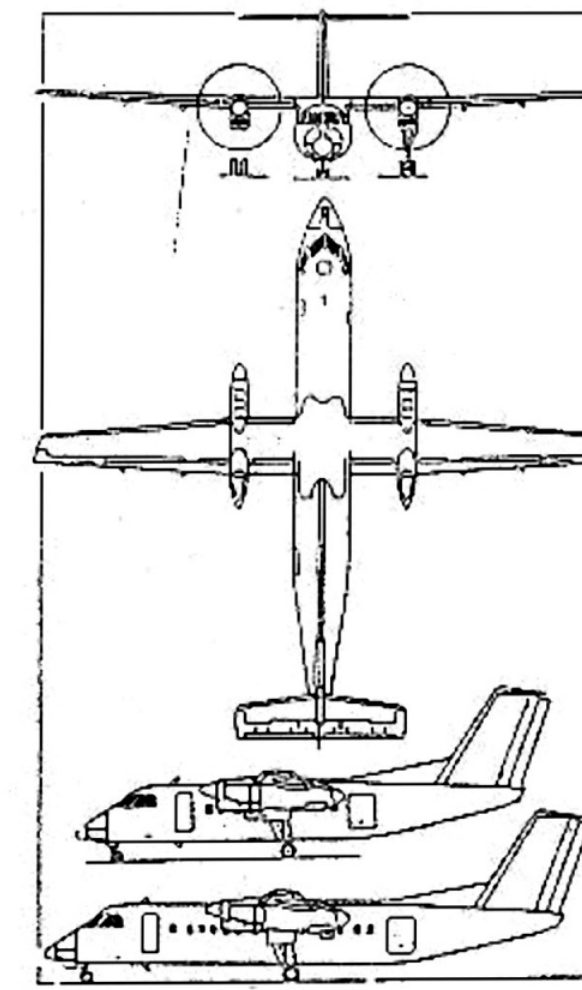


spun balsa spinner



Paper exhaust

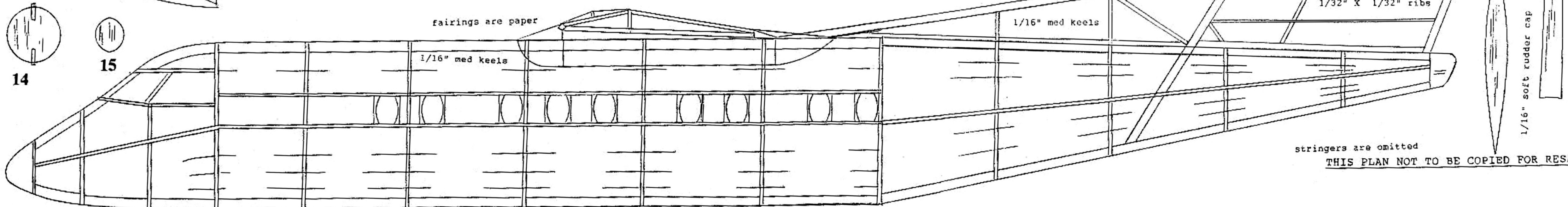
Left & Right Nacelles are identical



14

15

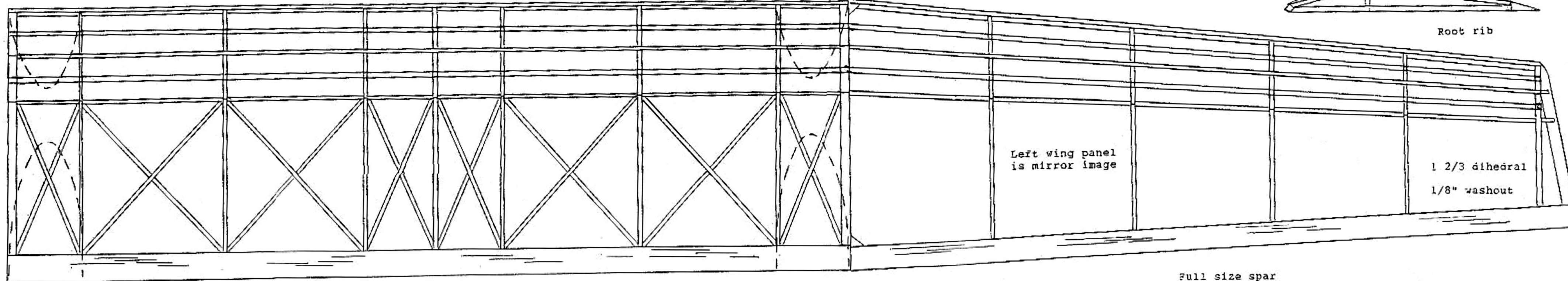
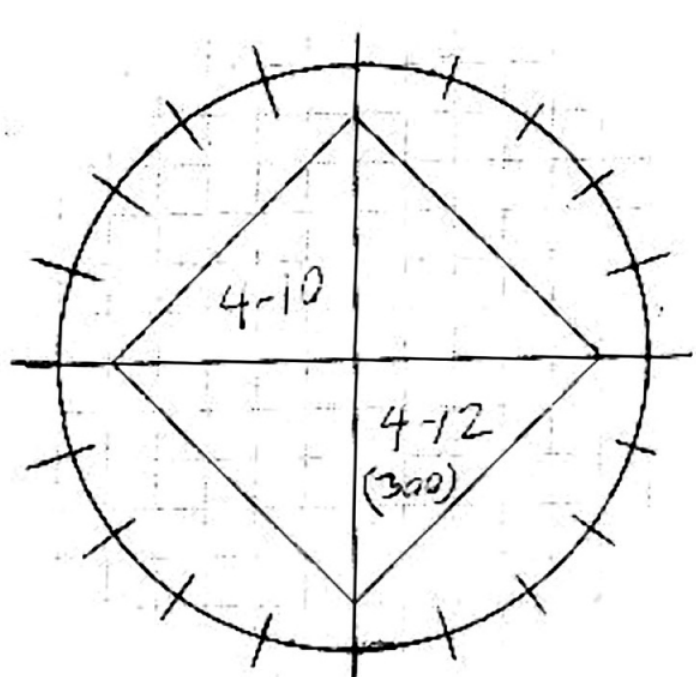
fairings are paper



Nose soft balsa

stringers are omitted  
THIS PLAN NOT TO BE COPIED FOR RESALE

Wing center section

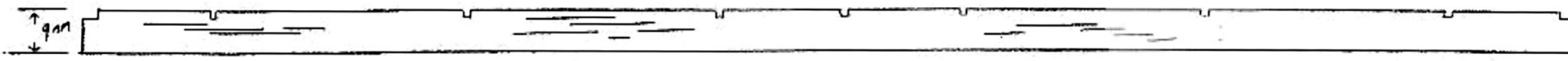


Root rib

Left wing panel  
is mirror image

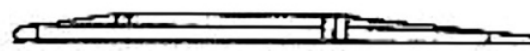
1 2/3 dihedral  
1/8" washout

Full size spar



Full size spar 1/16 med.

Stab root cutaway



stab med and soft 1/16"

Stab must be hinged due to  
the T-tail configuration and  
the lack of any external braces

Tips soft 1/8"

