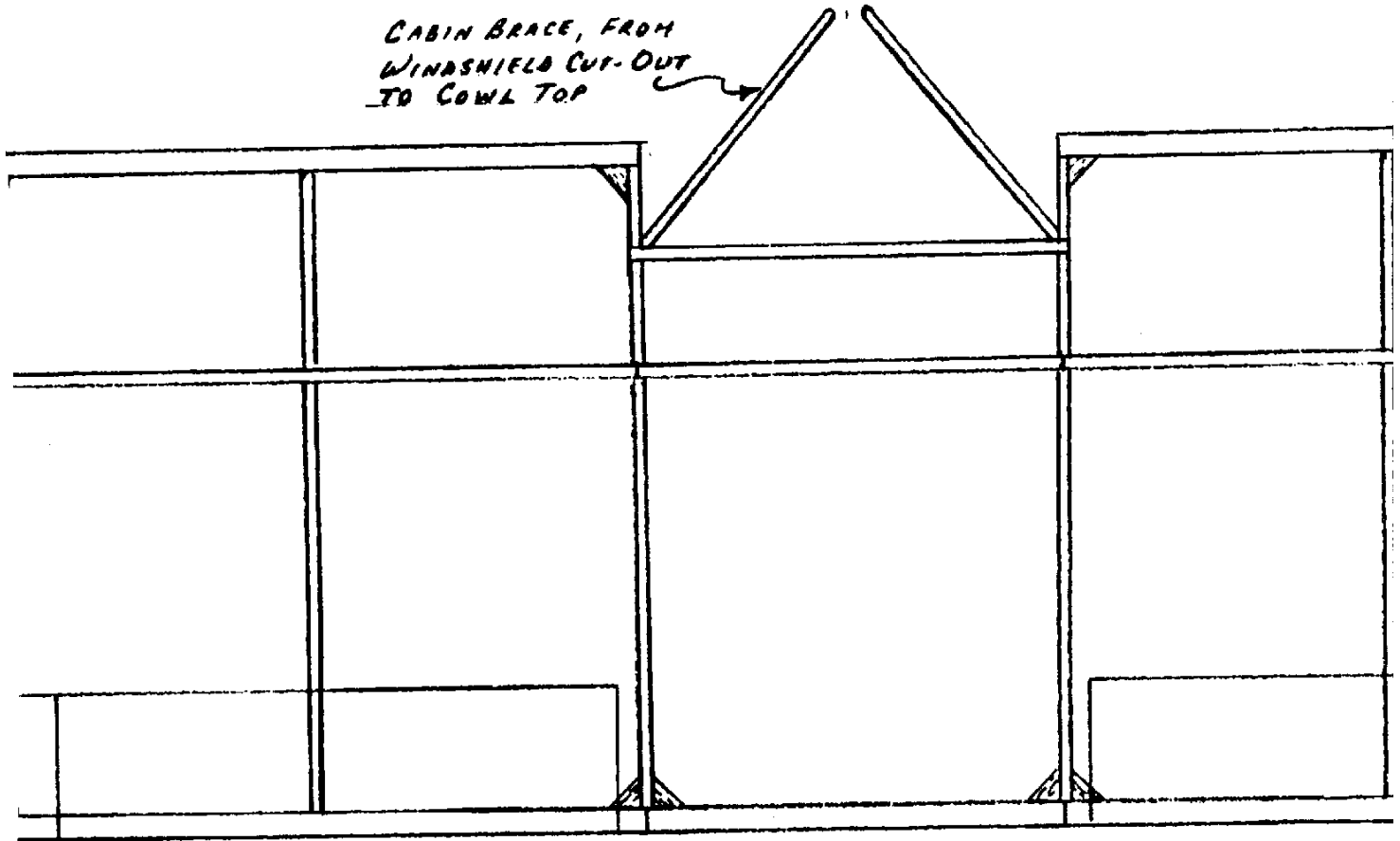
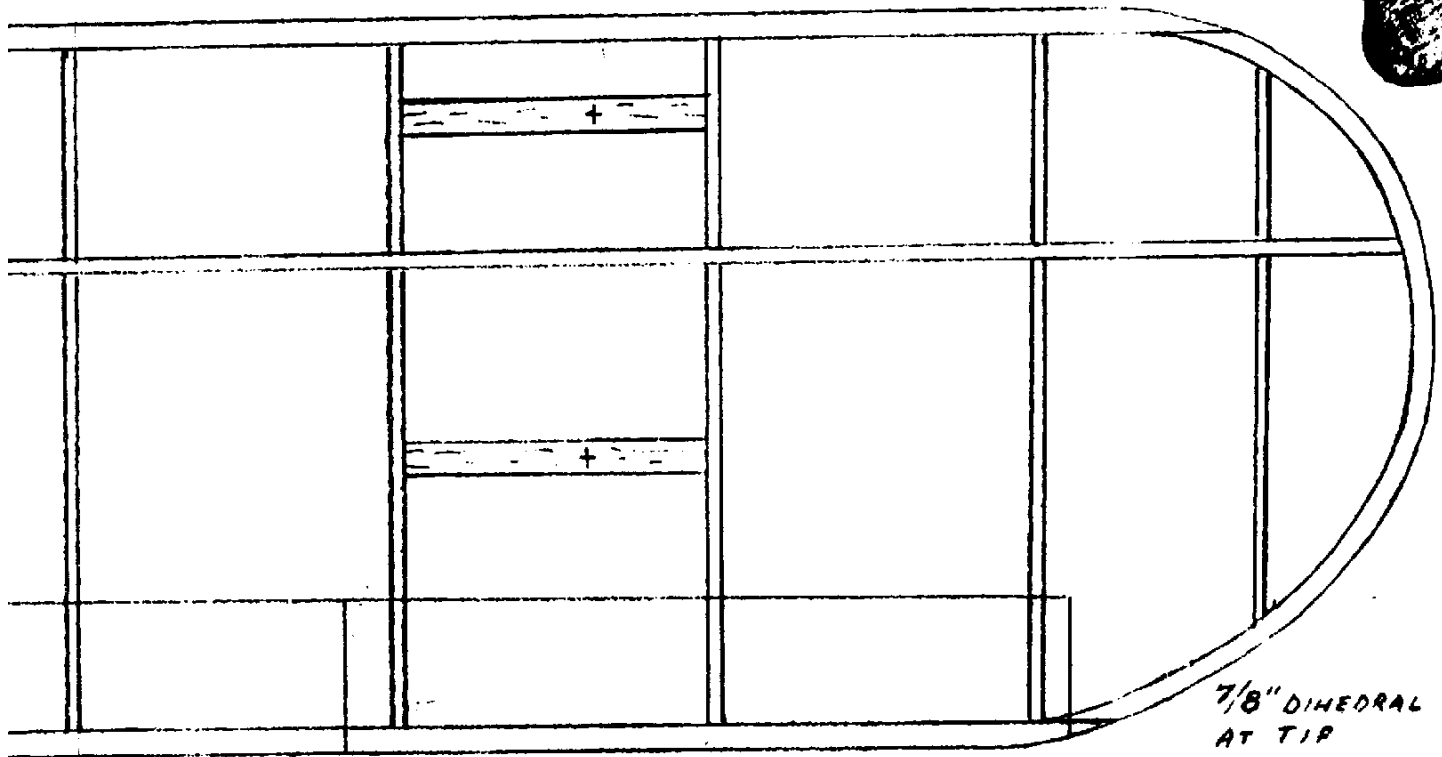
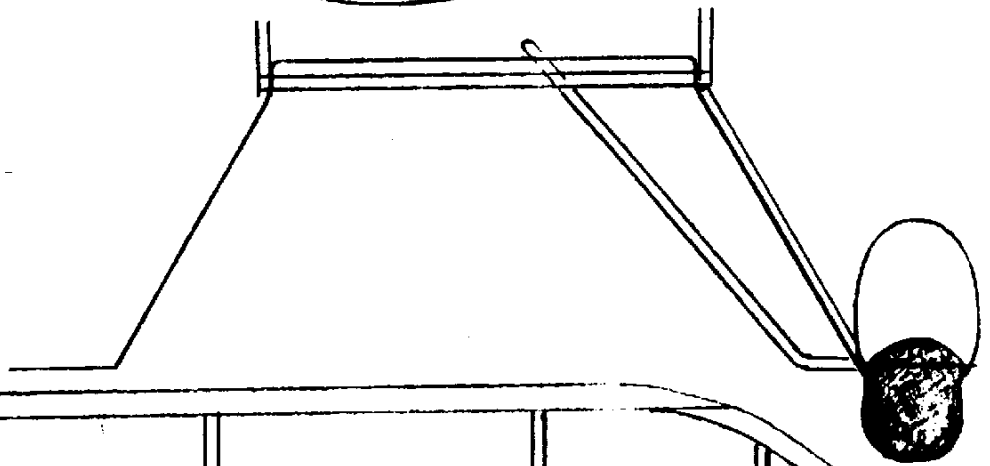
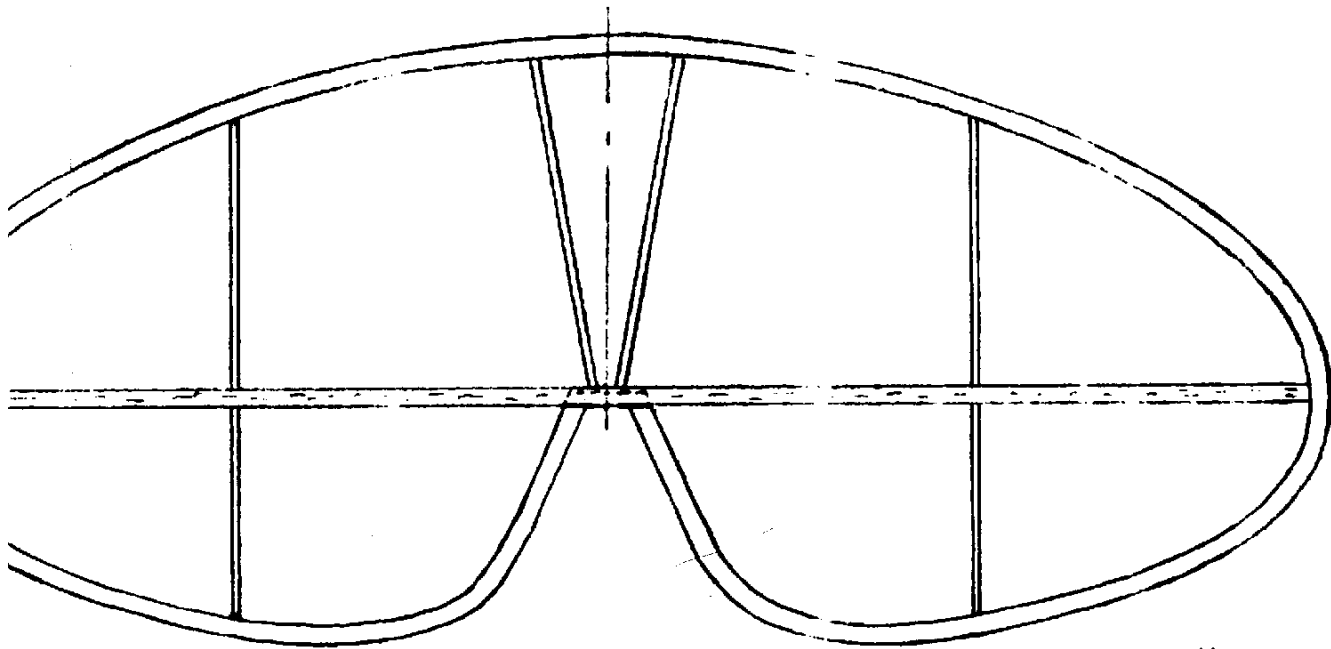


CABIN BRACE, FROM
WINDSHIELD CUT-OUT
TO COWL TOP






7/8" DIHEDRAL
AT TIP

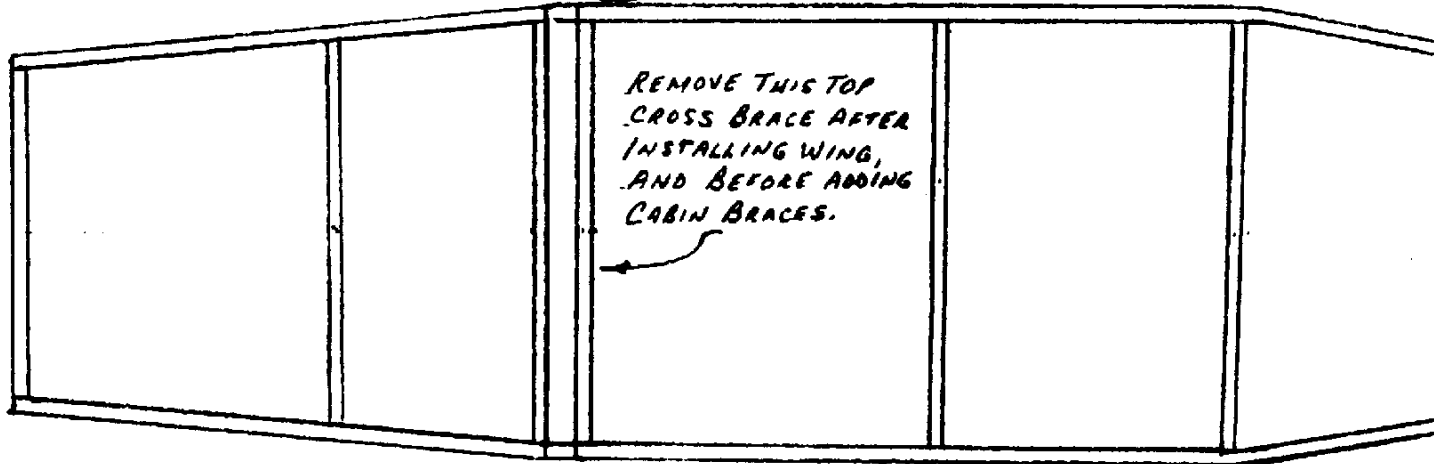
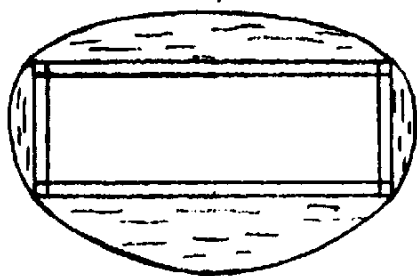
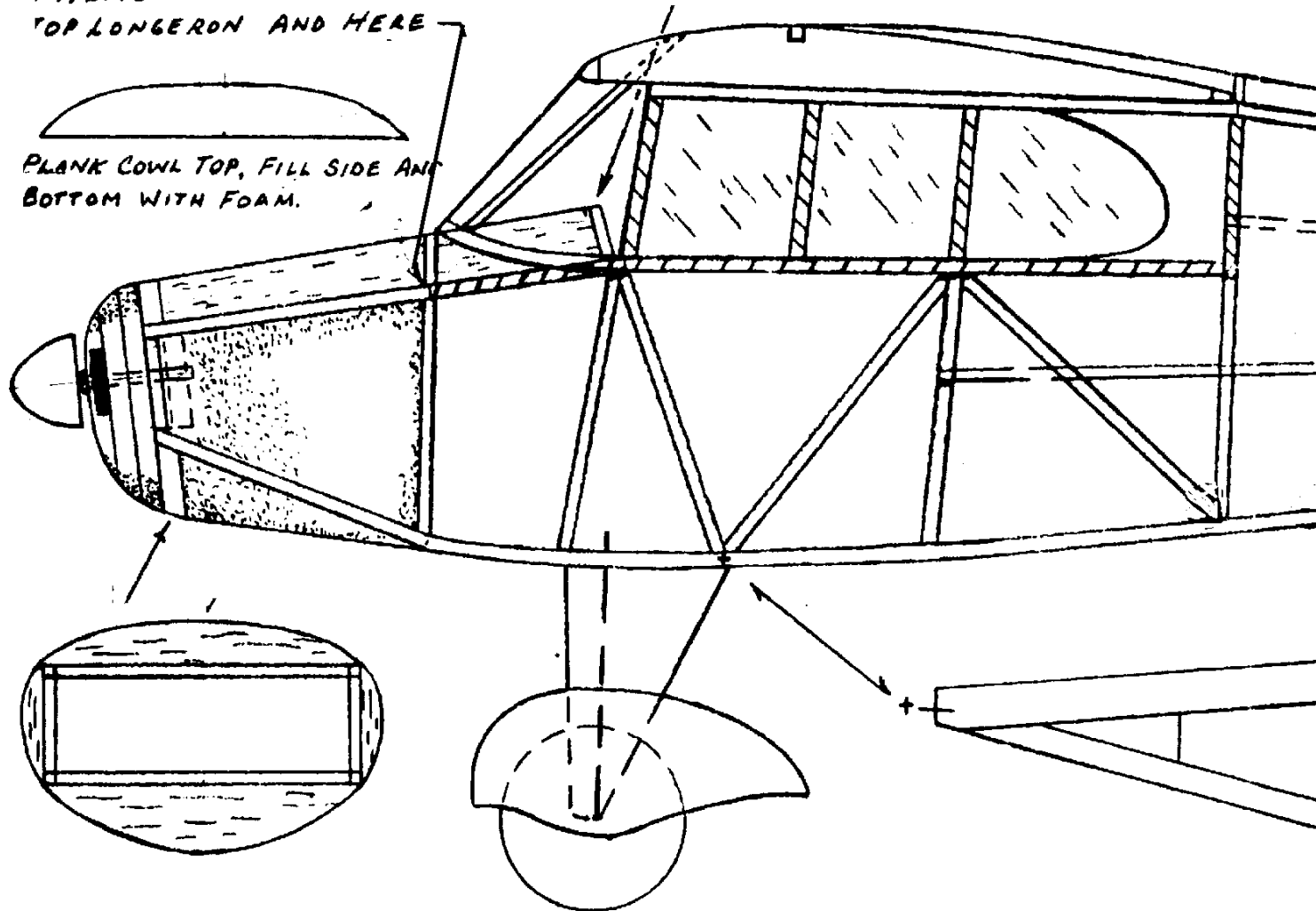
PIPER PACER PA-20

PAUL BOYANOWSKI

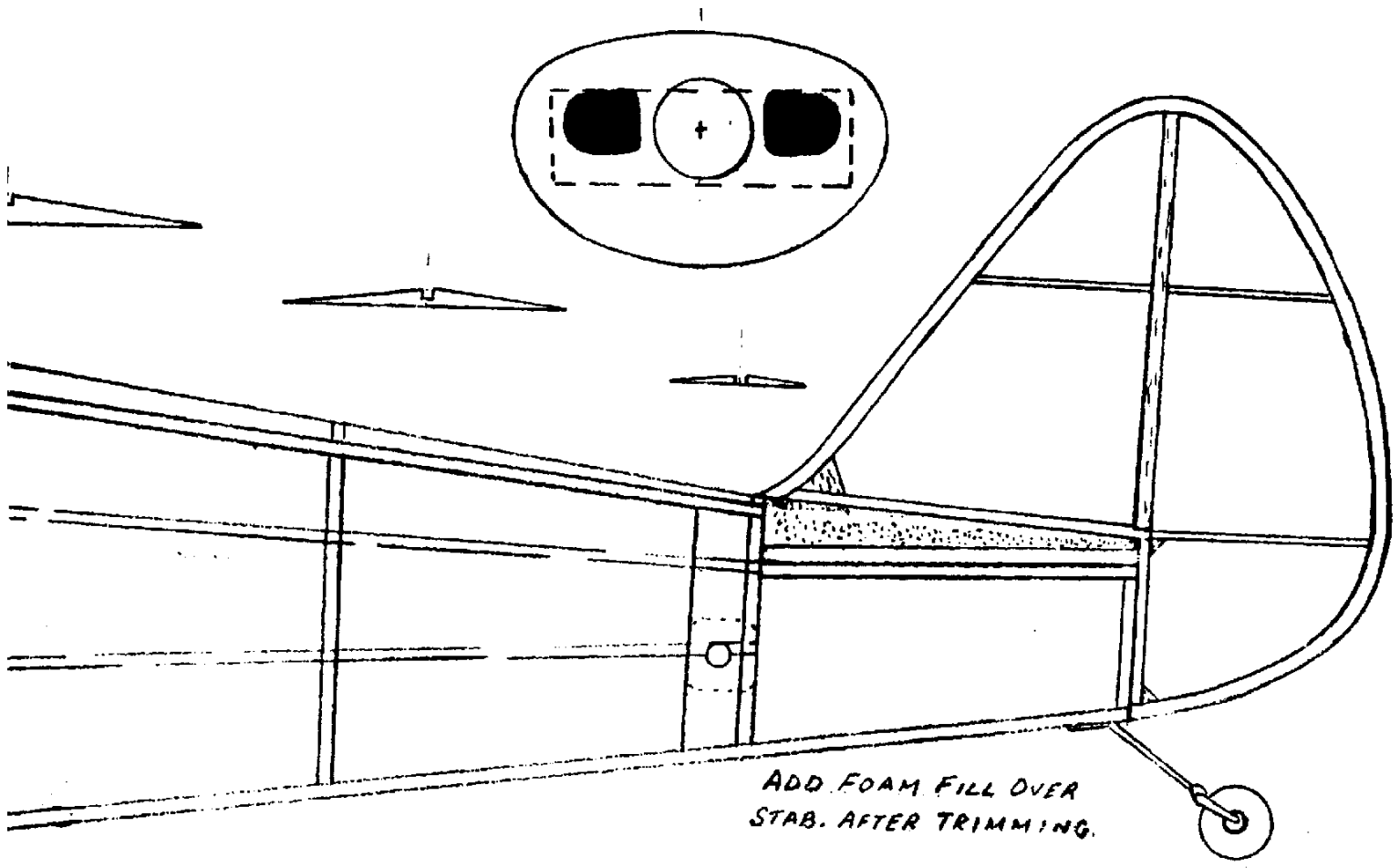


 : $\frac{1}{16}$ " SQ. WINDOW FRAME
APPLIED TO FUSELAGE SIDE FRAME. TAPER TO
TOP LONGERON AND HERE


PLANK COWL TOP, FILL SIDE AND
BOTTOM WITH FOAM.



REMOVE THIS TOP
CROSS BRACE AFTER
INSTALLING WING,
AND BEFORE ADDING
CABIN BRACES.



ADD FOAM FILL OVER STAB. AFTER TRIMMING.

