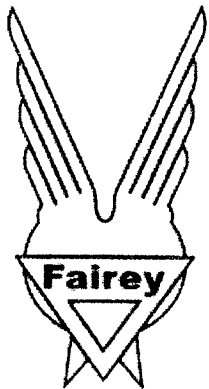


Color Scheme
 Upper surfaces dark sea gray & slate gray.
 Lower surfaces light gray. Spinner & fuse lettering black.



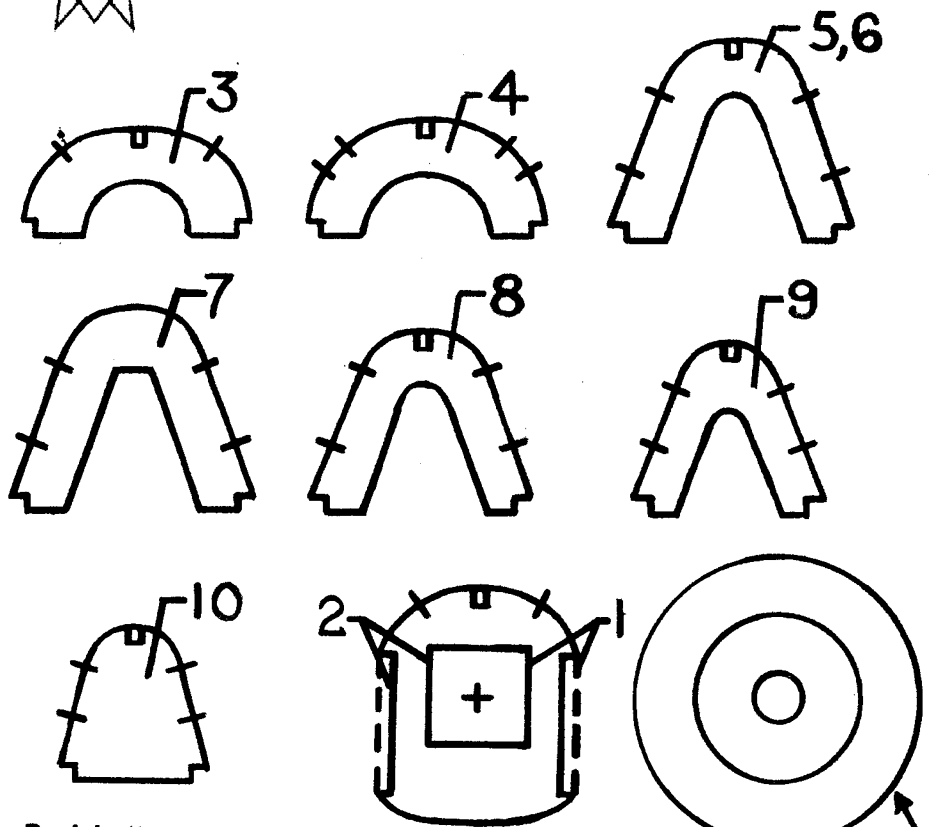
BAY STATE MODEL CO.
ROYAL NAVY FAIREY FULMAR MK. I
 Wingspan 16" Length 14 3/8"
 Designed & Drawn by Mike Nassise, 9/07



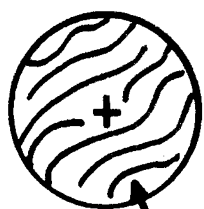
BAY STATE MODEL COMPANY
ROYAL NAVY FAIREY FULMAR MK. I

SHEET 2 OF 2

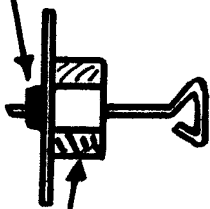
Both #1 formers from 1/8" sheet.
 All others from 1/16" sheet.



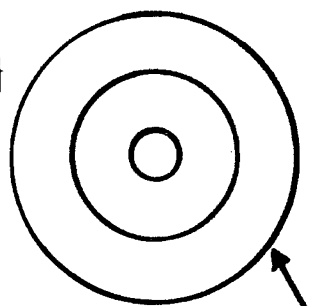
Peck button



1/32" ply disc



Plug box from
 1/8" x 1/4" strip.



roundel pattern wing bottom

Radiator detail not to scale.



card stock bottom

1/16" sh. typical

