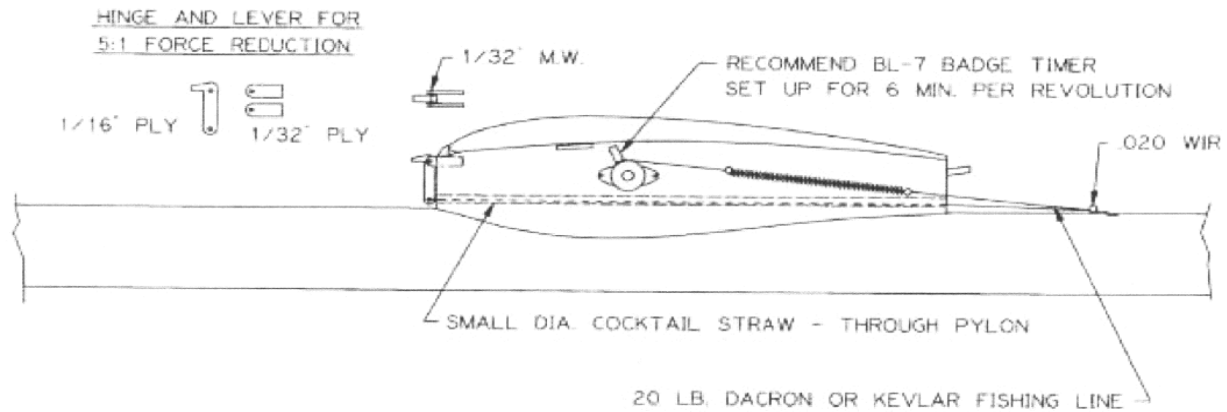


# P-30 Wing Dethermalizer Set-Up

by Don Deloach

*An Article published in the May 2012 Issue of the Wichita Historical Aircraft Modelers newsletter, Jeff Englert, Editor*

This is a slick wing dethermalizer set-up developed by Don Deloach. It blows the wing off in a straight-forward manner. The diagram shows a viscous timer, but a fuse or radio DT could be substituted. The key difference is the use of a straw as a gunnel to run the DT string through the pylon to run the forward lever, which is used a rubber band hold-down. (PFFT ed. Note: This scheme would also work on light cabin models as well e.g. Jimmy Allen/Embryo models.)



# A Pop-off Wing DT for P-30's

by Larry Bagalini

*Published in the October 2004 issue of the "Scale Staffel," Gerald Sullivan, Editor*

The following was a hand out at the recent Orbiteers general meeting. It was drawn up by John Oldenkamp. The identified parts go a long way to showing how the device is made. Not shown is the line from a wing tip to the rear of the fuselage. A fishing swivel must be placed in this line.

1. Bell crank. Make from thin plastic, aluminum, or ply.
2. 1/8" i.d. aluminum tube. Drill 1/32, then file slot for axle.
3. Bell crank axle. # 90 nylon bolt, paper clip, or thin tubing.
4. Viscous Timer. Badger, Flite Tech or FAI Czech, Buddenbohm, etc.
5. Small stainless steel spring. Some ballpoint pen springs work well.
6. Plastic small diameter cocktail straw runs through pylon.
7. Spider wire lanyard. From WalMart fishing department or 10# monofilament.
8. .020 or .015 inch closed loop music wire turnaround.
9. Wing held down with 2 #10 bands tied together.
10. .5 or .75 oz. glass clothe over turnaround. Attach with CyA glue.

(Larry ties the bands to the peg at illustration 9 to keep from losing the bands.)

