

power: 6 strands 1x3

lead

sheet

b2x3

197

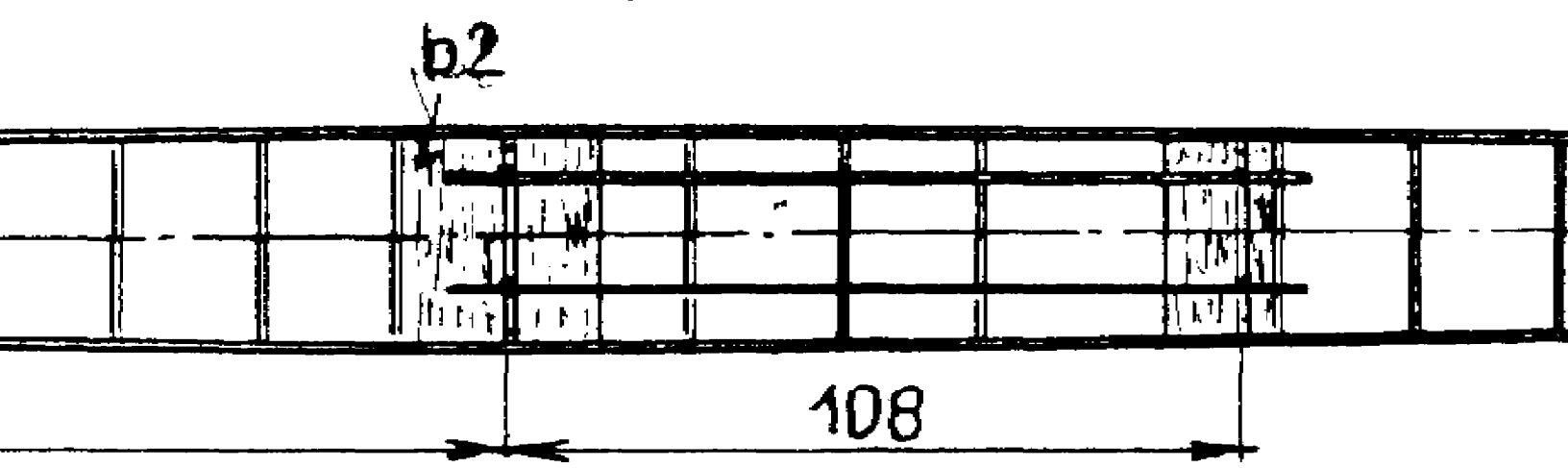
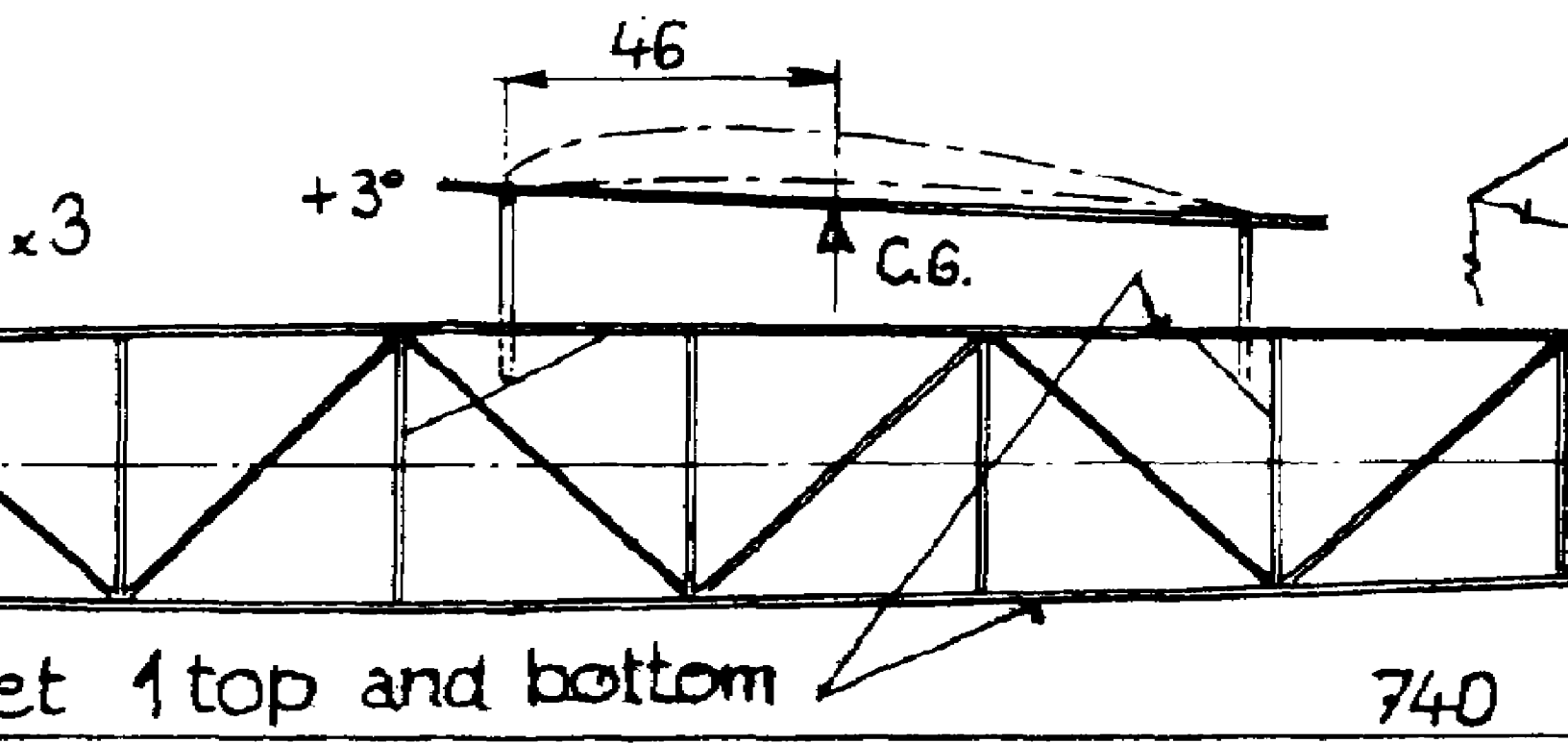
6x33

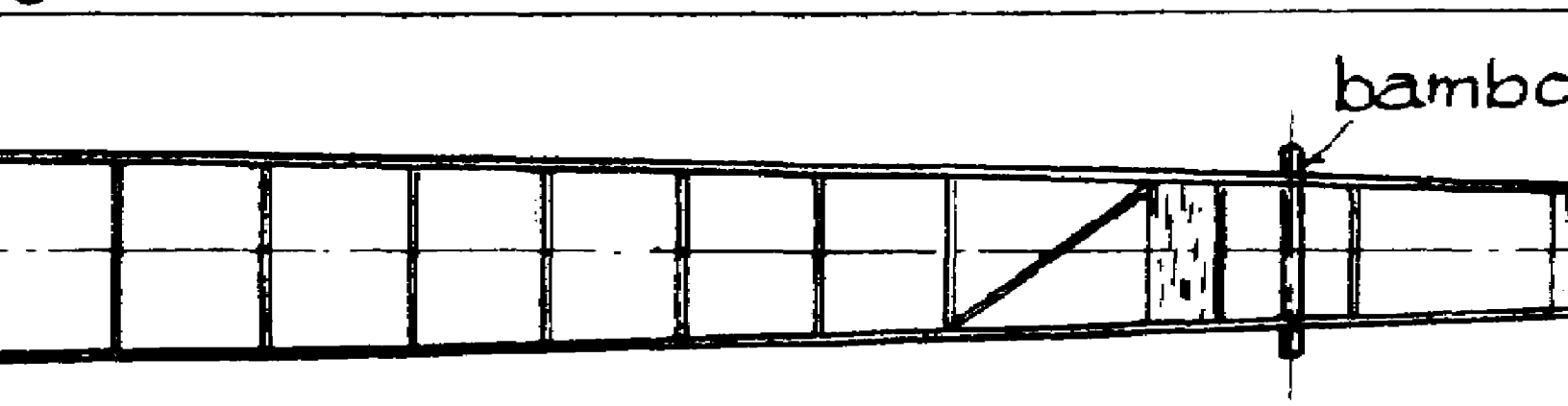
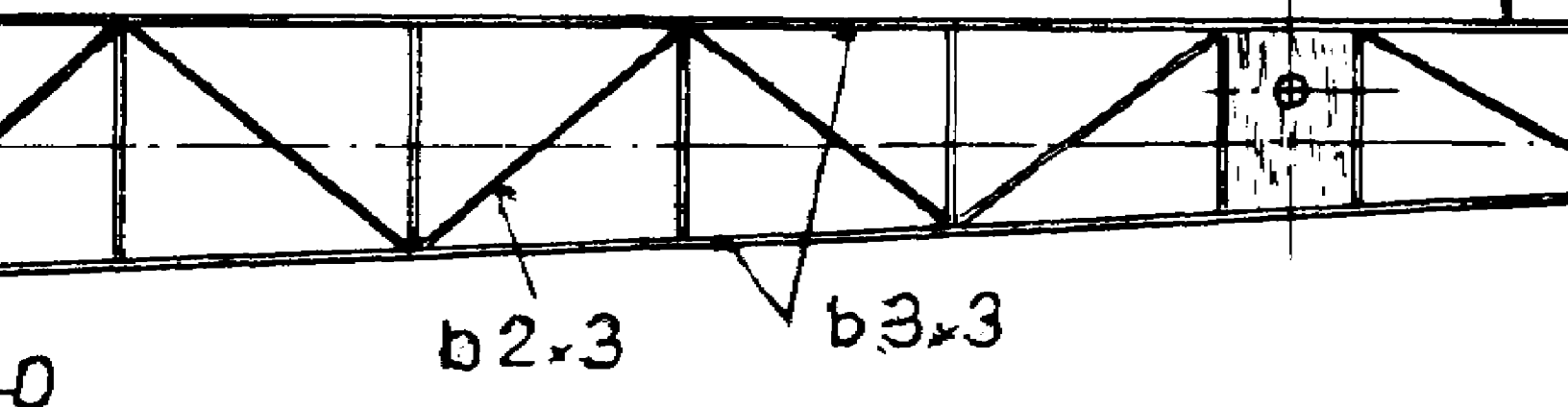
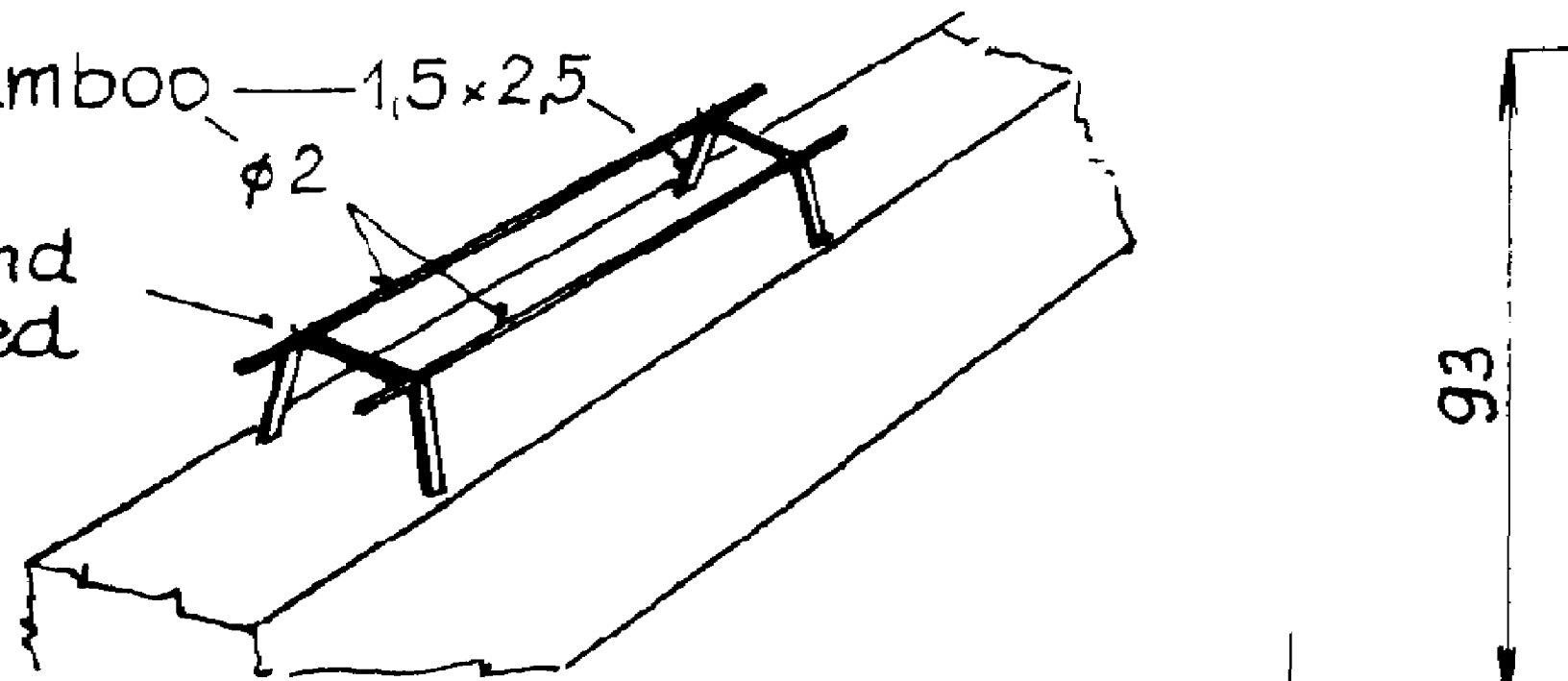
b7

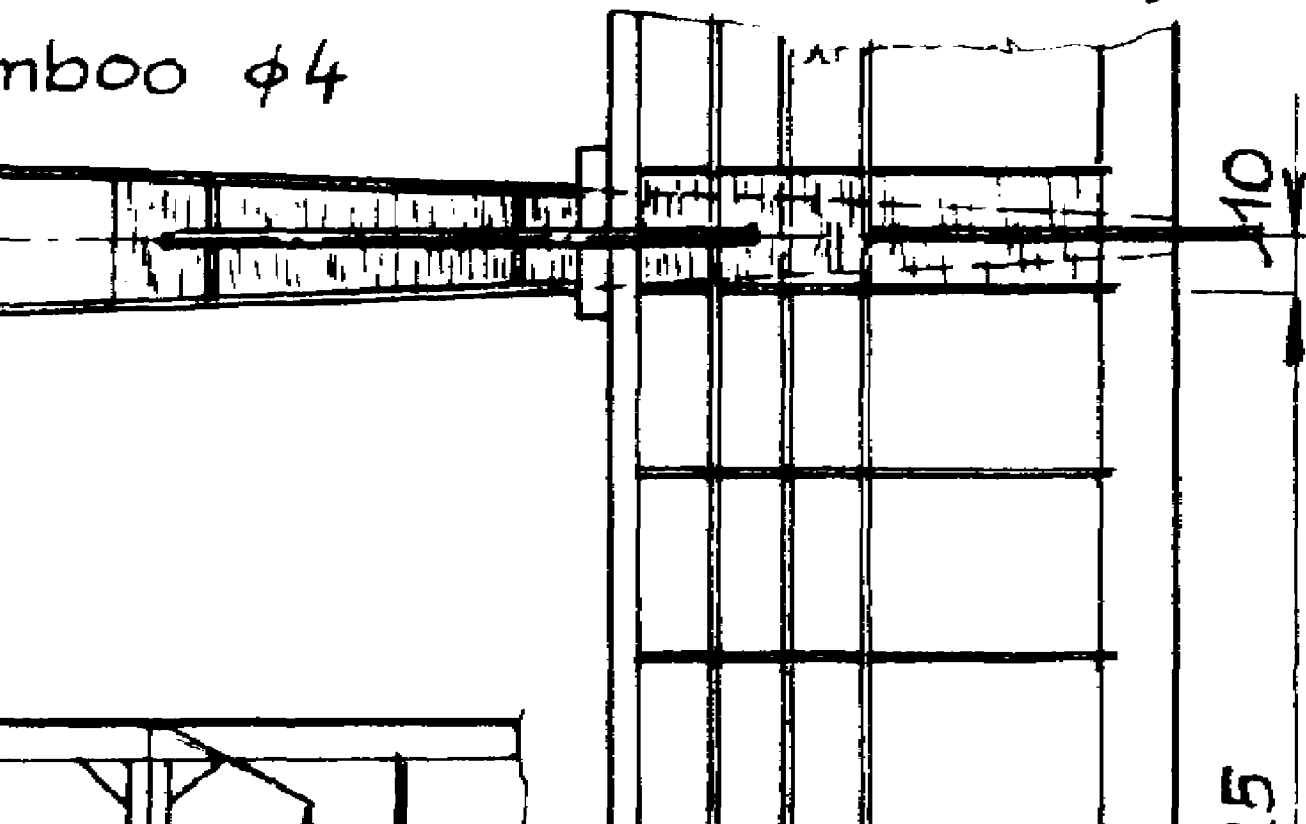
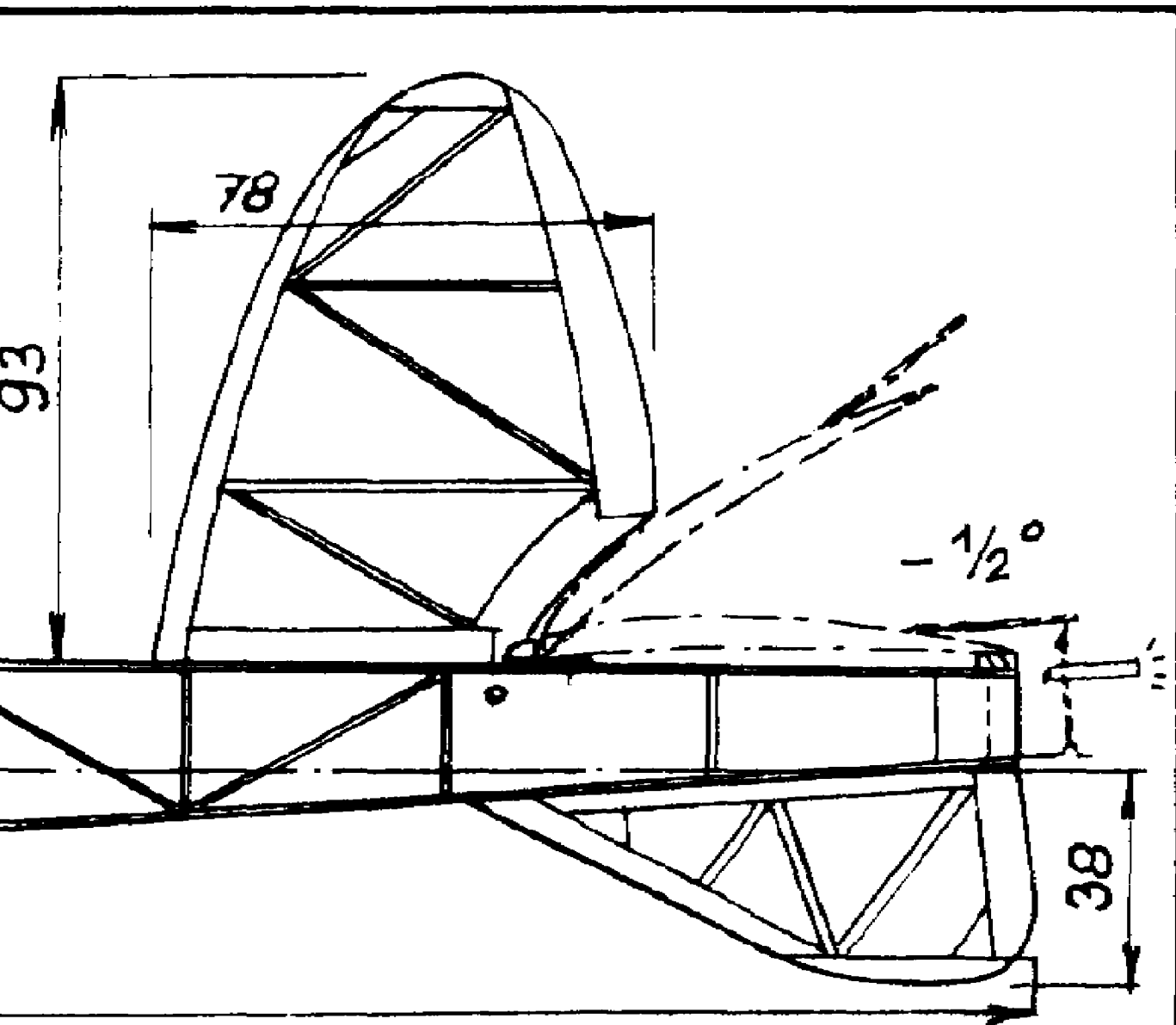
12 inch

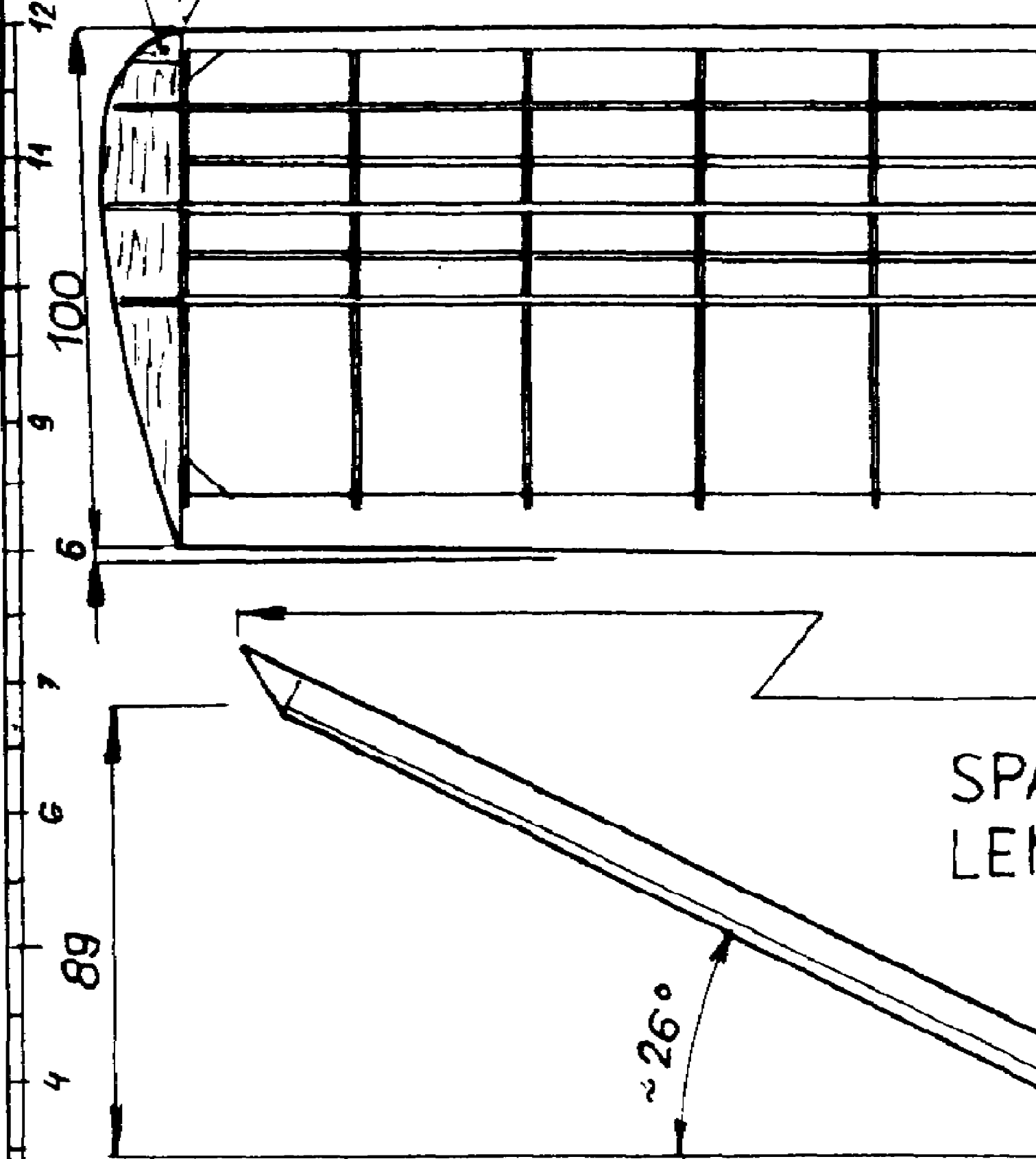
bamb

bind and
cemented



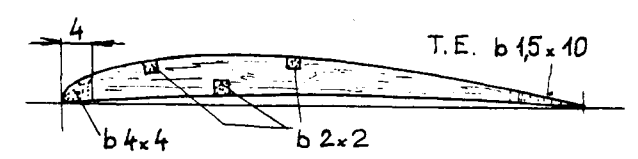




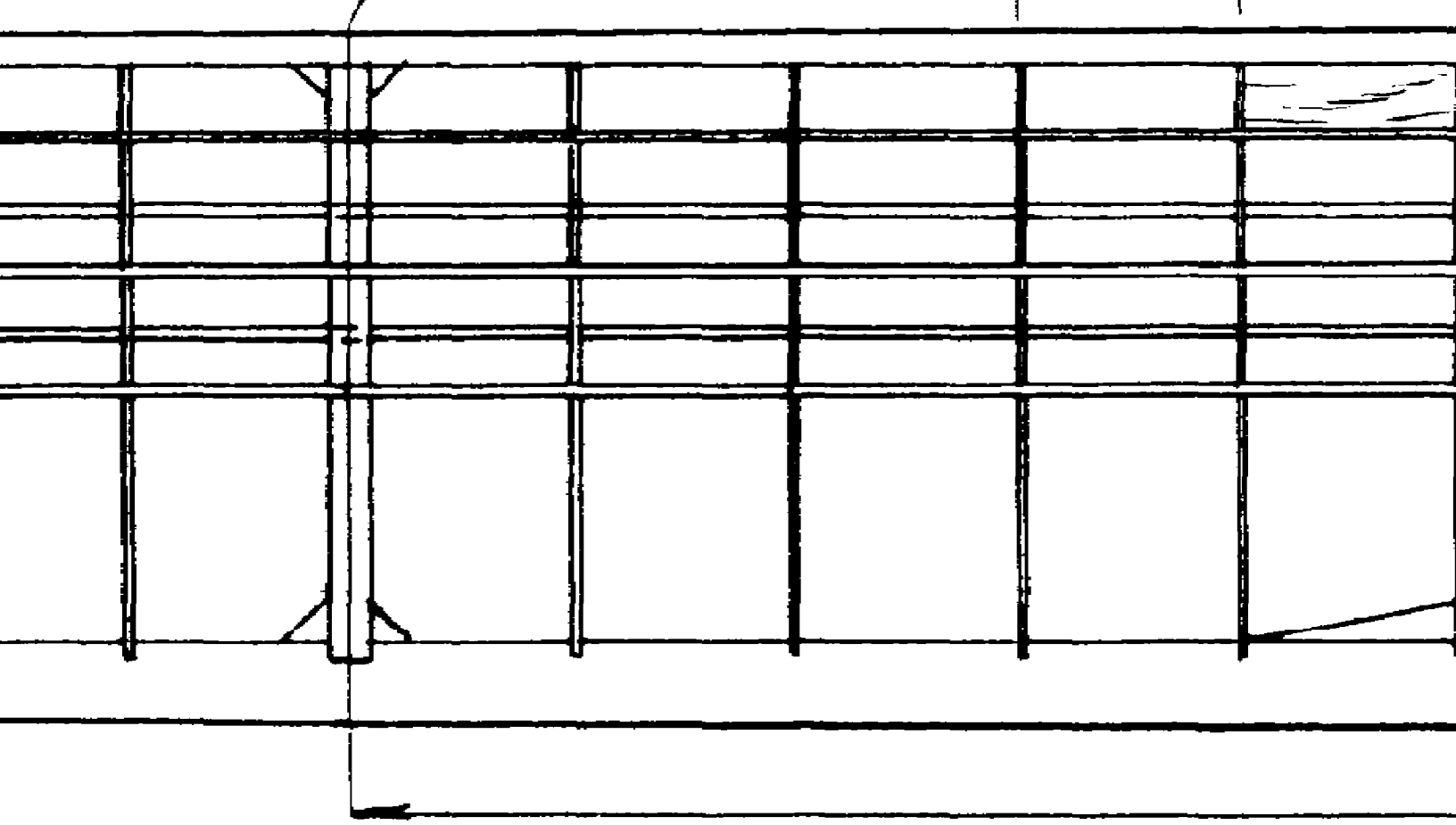


SPA
LEN

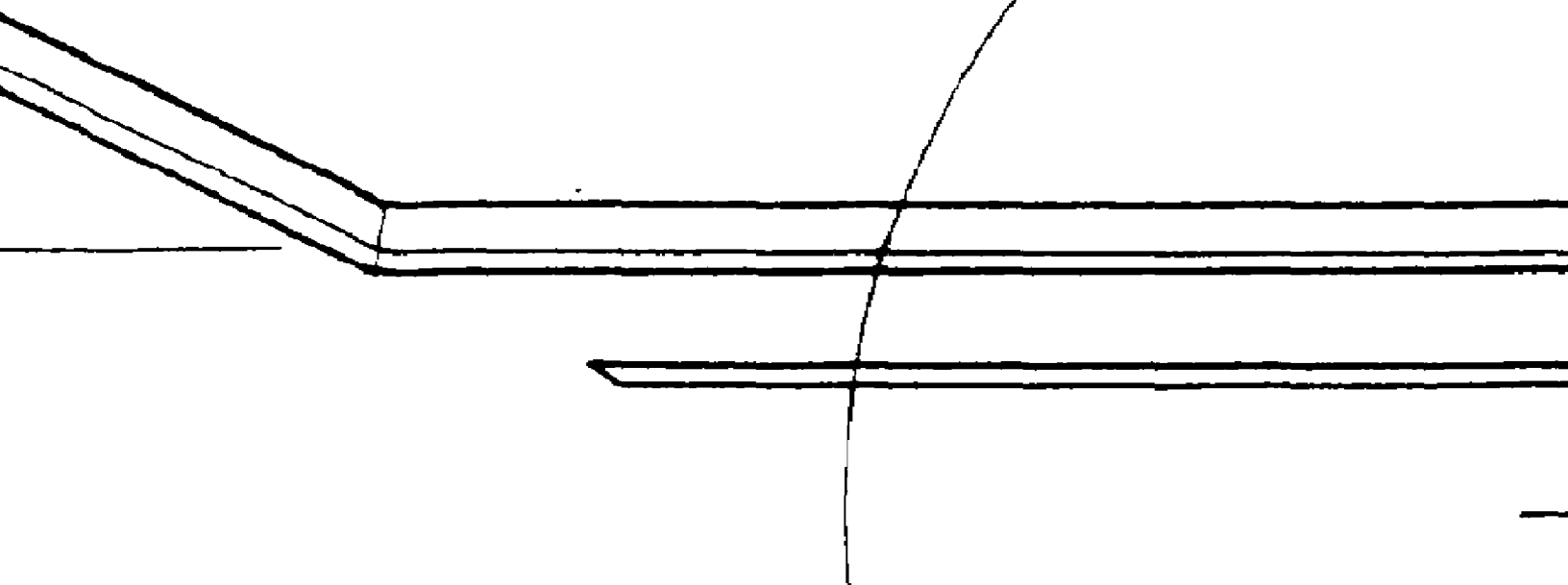
SCALE:

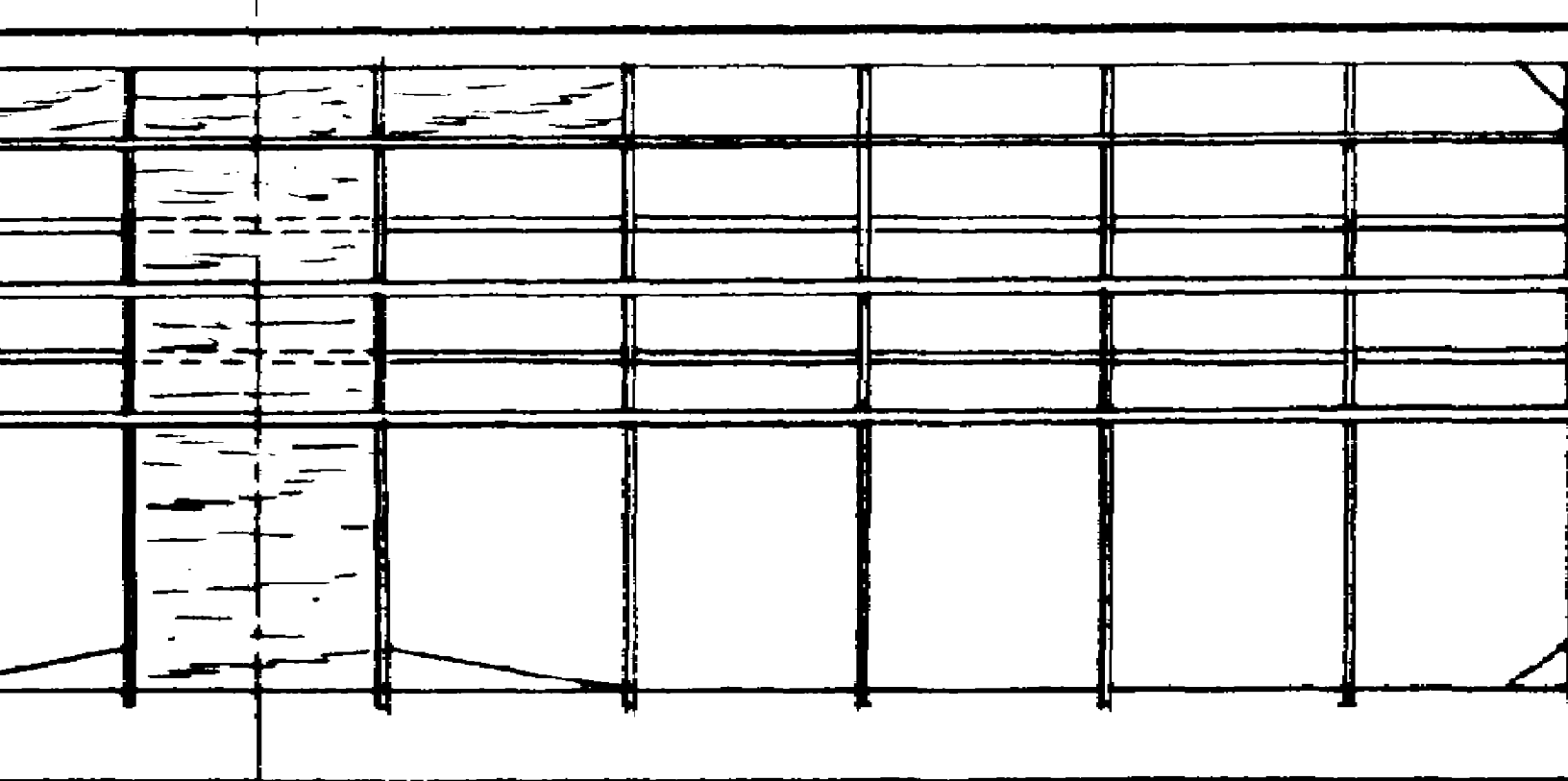


WING SECTION (own)



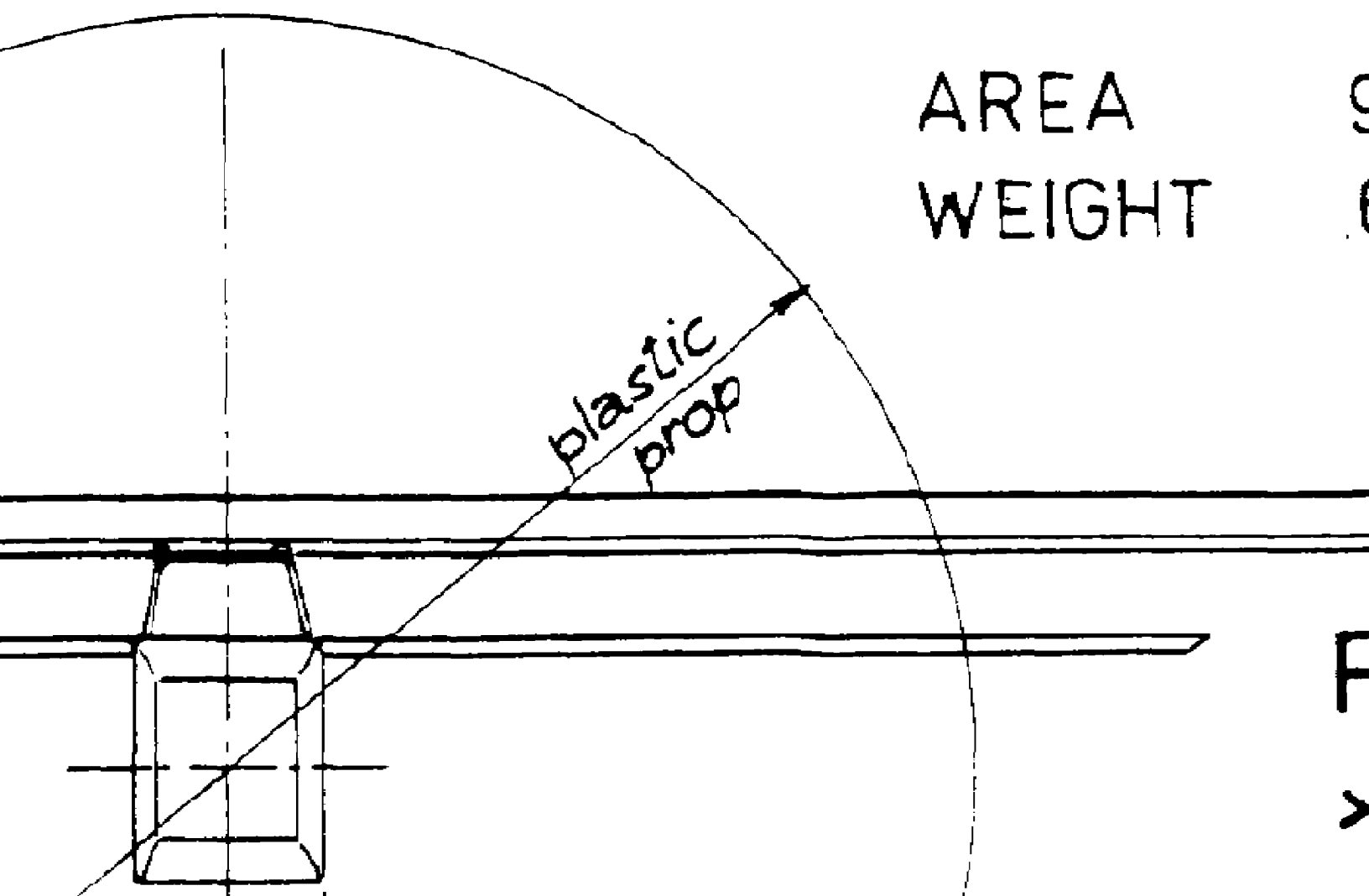
SPAN 740 mm
LENGHT 740





* 365

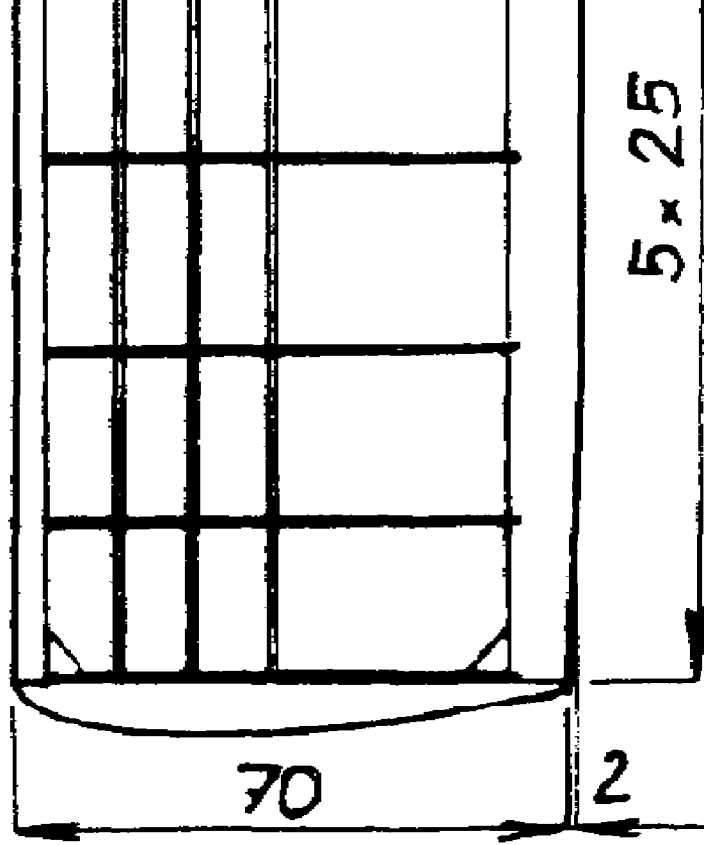
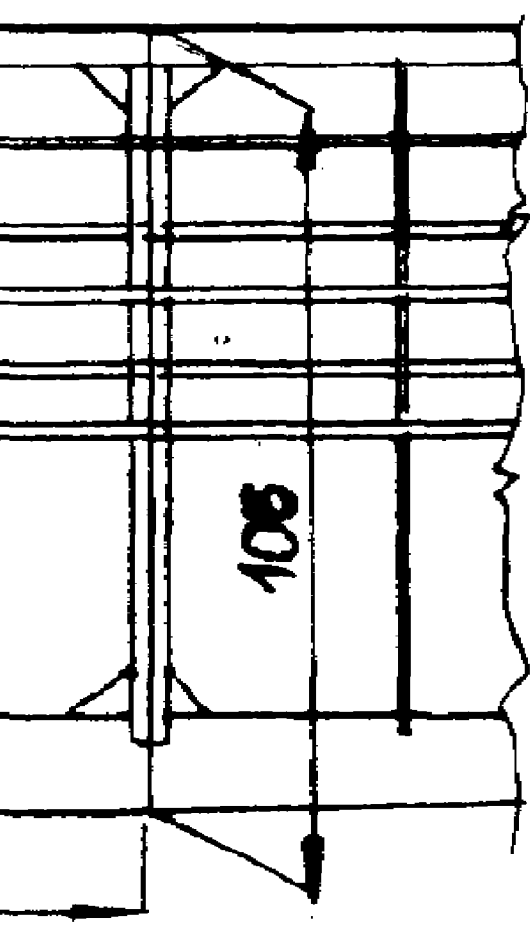
740



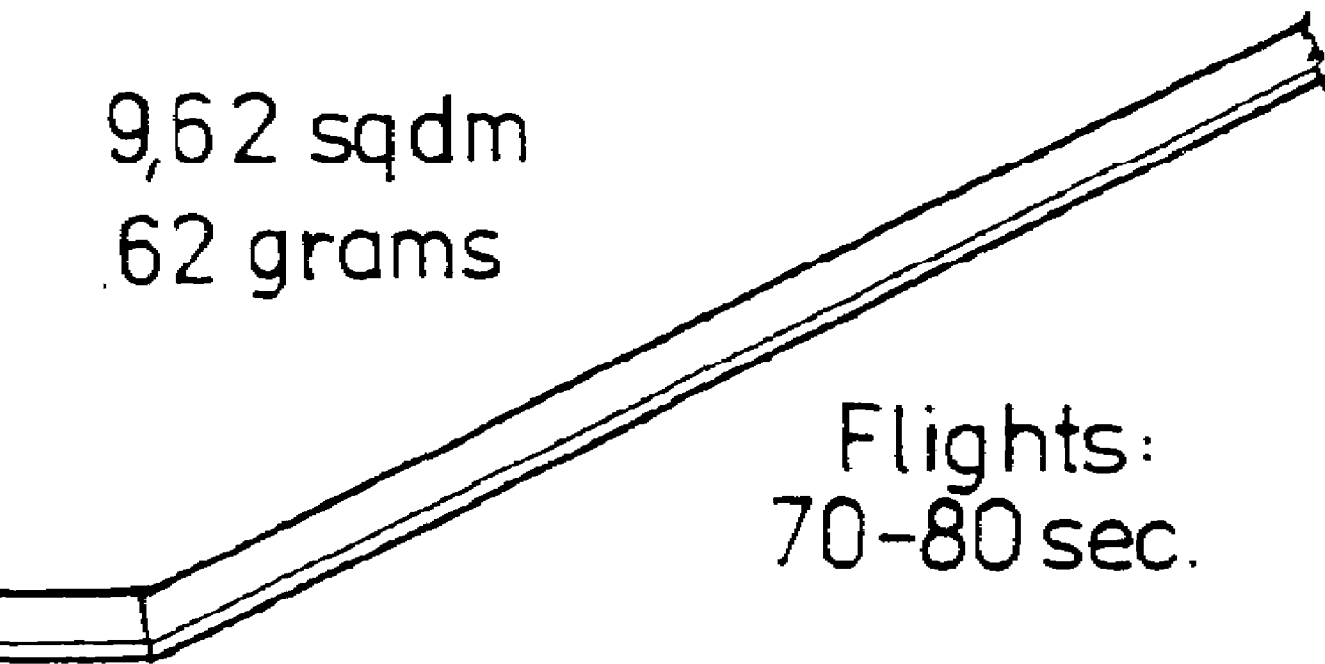
AREA
WEIGHT

S
C

F
Y



9,62 sqdm
62 grams



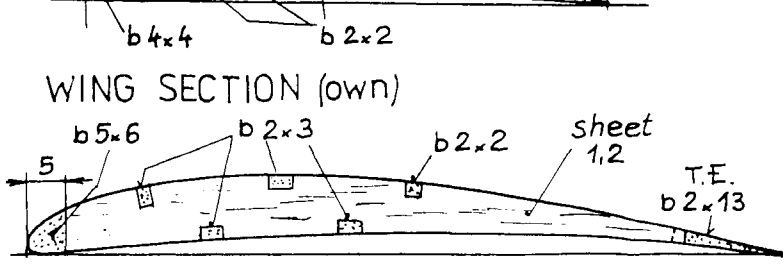
Flights:
70-80 sec.

P 30 RUBBER POWER .

> TEREZKA <

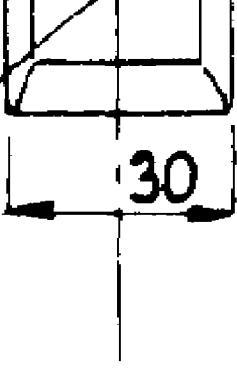
NFFS

SC
1
0



T.E.
b 2x13

$\Phi 240$



Y
O

> TEREZKA <

by Rad. Čížek

CZECHOSLOVAKIA

OFFS

