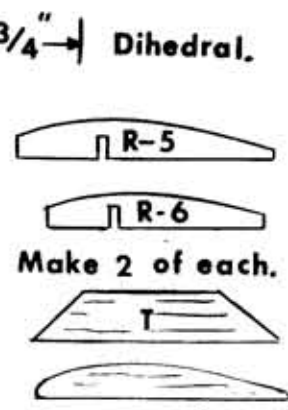
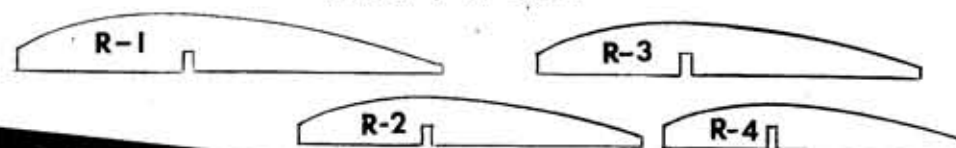


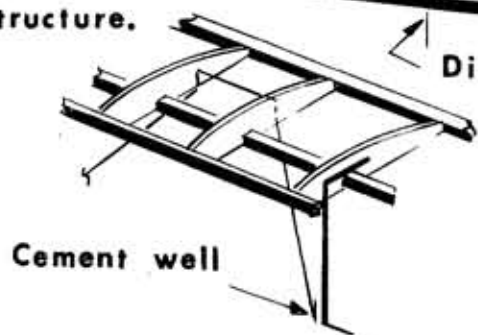
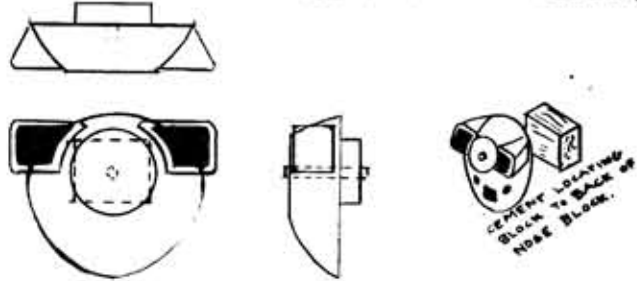
Slant root ribs for dihedral angle use template

Make 1 of each



**NOTE**

Nose block is removable and has a locating block on the back side that fits inside the fuselage structure.

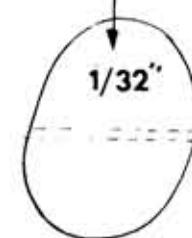


Dihedral break.

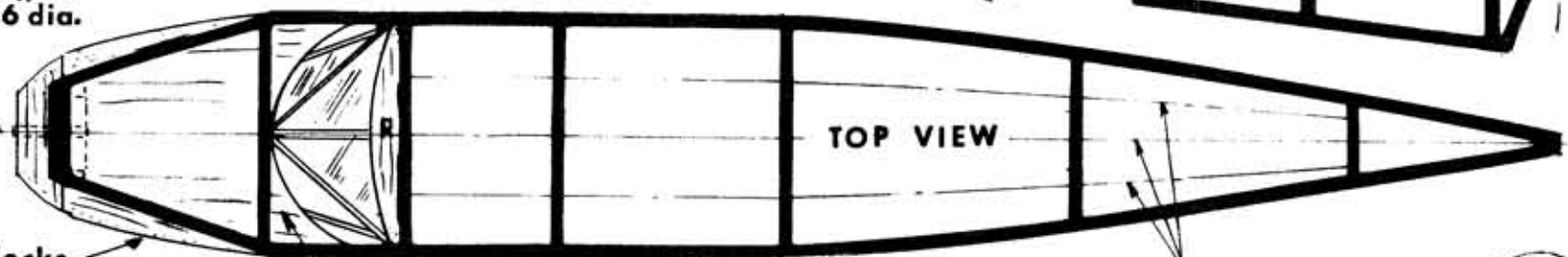
STABILIZER



Make 2 of each



Alum tube 1/16" dia.

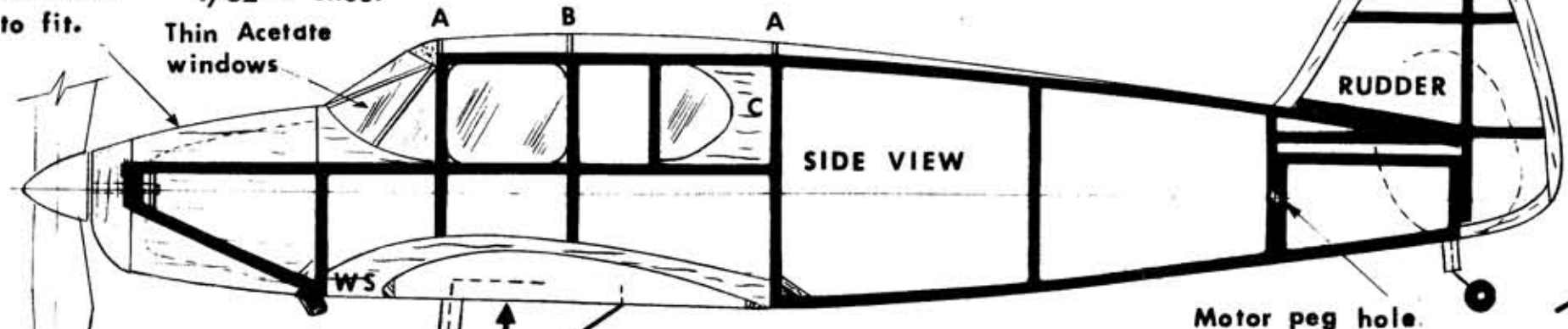


TOP VIEW

Stringers 1/16" X 1/32"

**NOTE**

Use balsa blocks on sides, top and bottom. Carve sand to fit. Cover with 1/32nd sheet Thin Acetate windows



SIDE VIEW

RUDDER

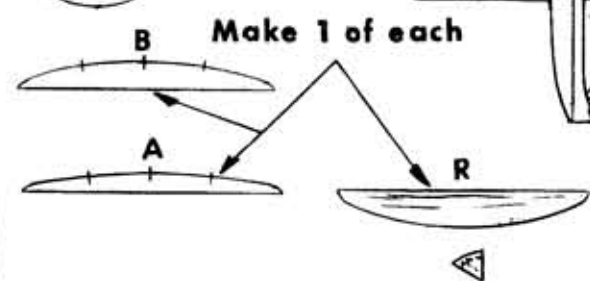
Motor peg hole.

**NOTE** All parts, unless otherwise noted, are 1/16th thick balsa.

Build 2 fuselage side frames (Black outline) directly over the plan. Use 1/16th sq and 1/16th X 1/8th balsa.

Take finished side frames and build a box frame over the top view.

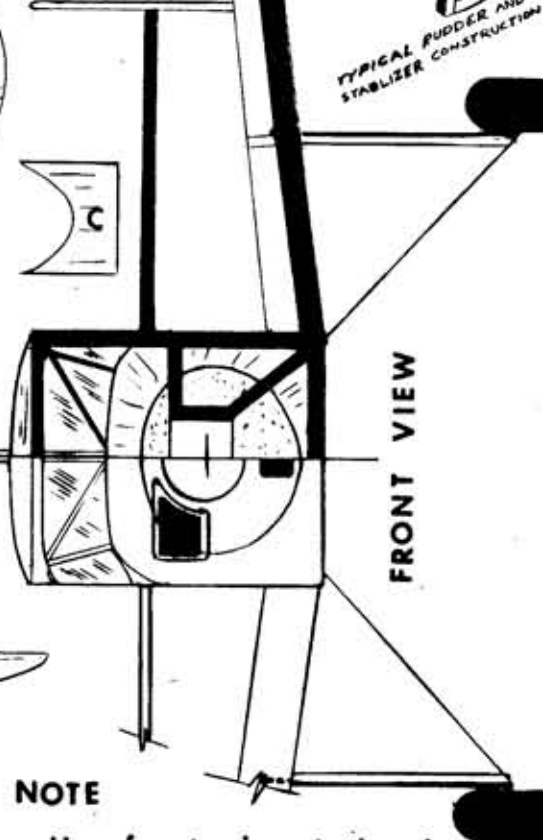
# BELLANCA "CRUISAIR"



Make 1 of each

**NOTE**

Use front view to bend landing gear wire

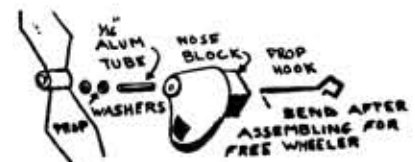


FRONT VIEW

**NOTE**

Landing gear and Prop hook 1/32" music wire. Cutdown Slack-Strap propeller

Wheels 5/8 dia.



JANICK MODEL ENGINEERING  
 32 FARLEY ROAD SCARSDALE N.Y. 0583  
 PLAN # L-102

©