

Reference scale in cm

Leading edge 1.6 x 2.4 mm strip

Trailing edge 1.6 x 5.1 mm strip

Tailplane outline and spar from 1.6mm square.
Ribs from 1.6 x 0.8mm.



Tail fin out
from 1.6
Ribs from

0.8mm sheeting
on top of nose

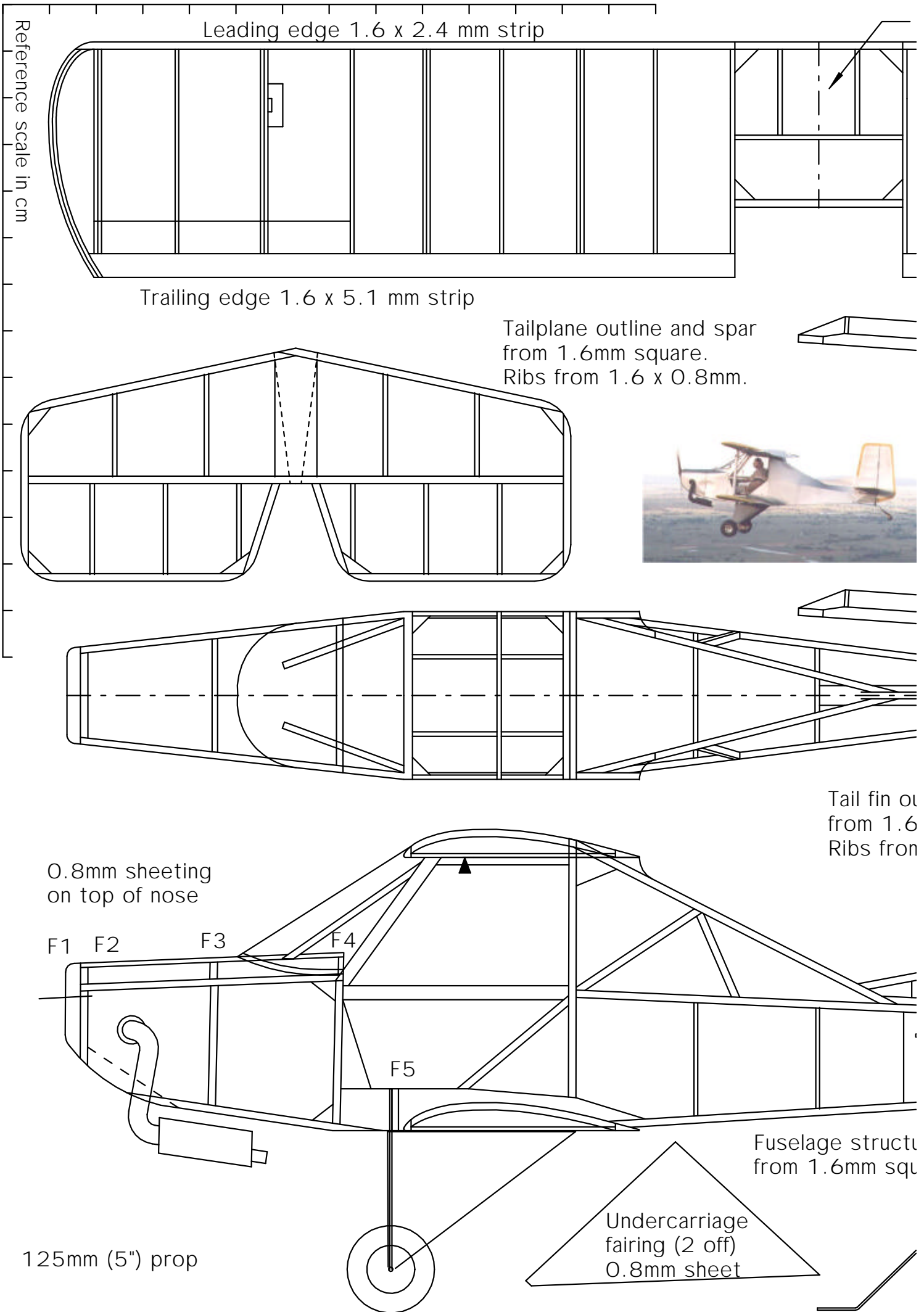
F1 F2 F3 F4

F5

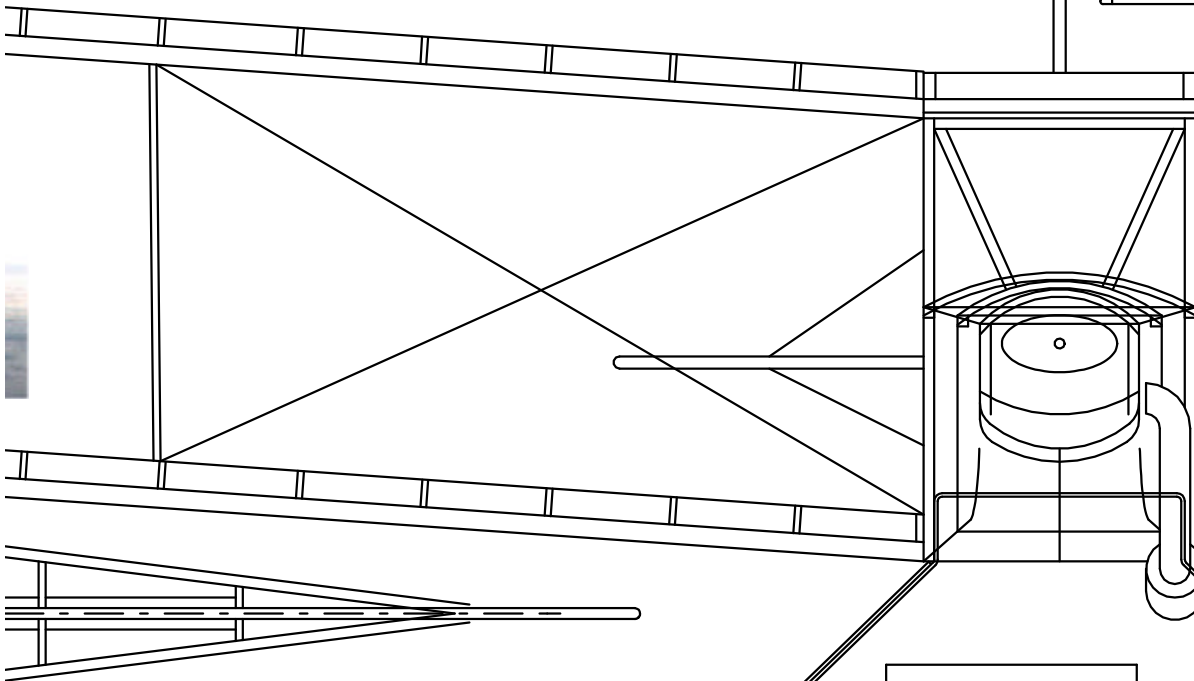
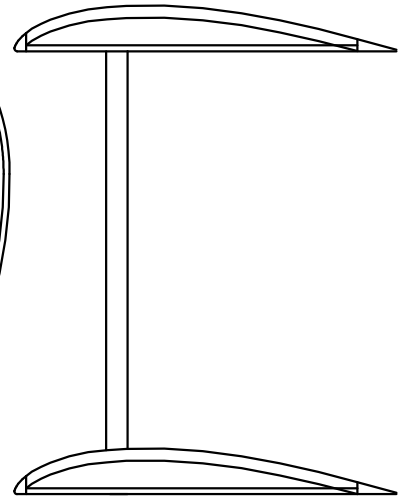
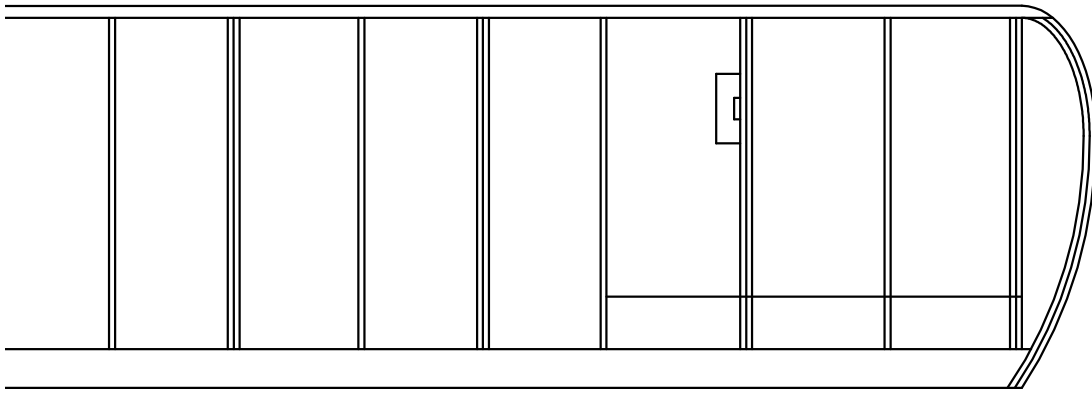
Fuselage struct
from 1.6mm squ

125mm (5") prop

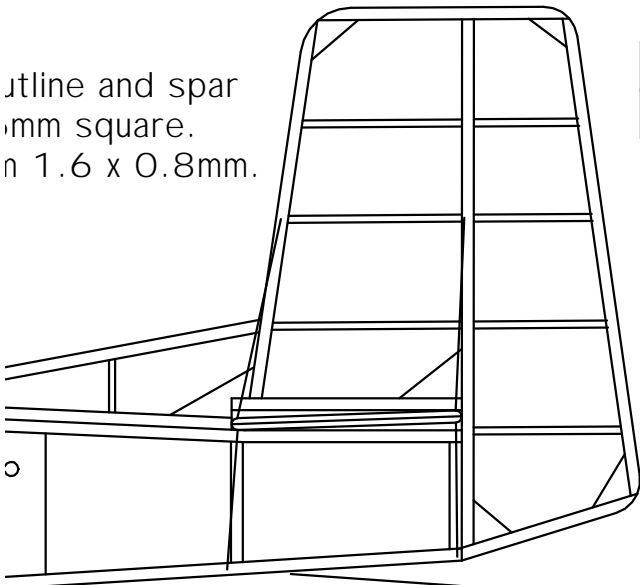
Undercarriage
fairing (2 off)
0.8mm sheet



Clear glazing in middle section only

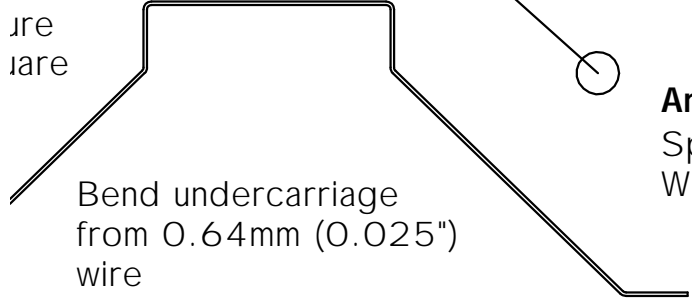
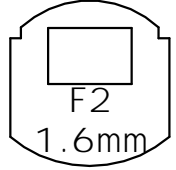
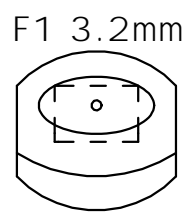
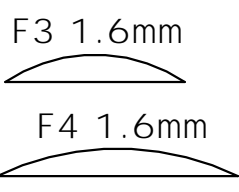


Colour scheme:
 Overall: Silver
 Wing tips: Yellow
 Fin & rudder outline: Yellow
 Muffler: Black
 Prop: Wood



Outline and spar
 1.6mm square.
 Rib 1.6 x 0.8mm.

F5 2.4mm sheet



Bend undercarriage
 from 0.64mm (0.025")
 wire

Amethyst Falcon aerobatic ultralight

Span: 13 in 330 mm
 Wing area: 50.7 in 32.8 sq dm

© D Buckmaster 2001