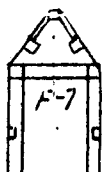
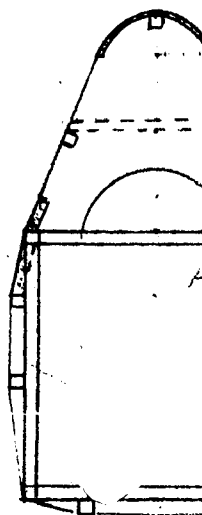
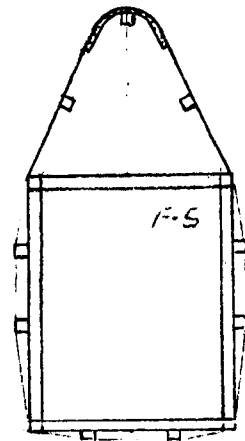
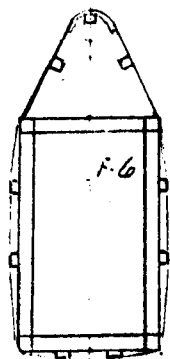
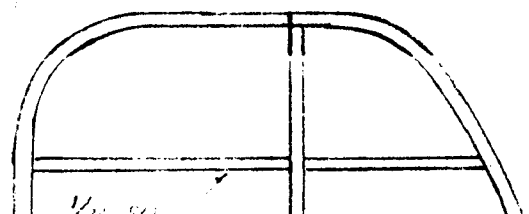
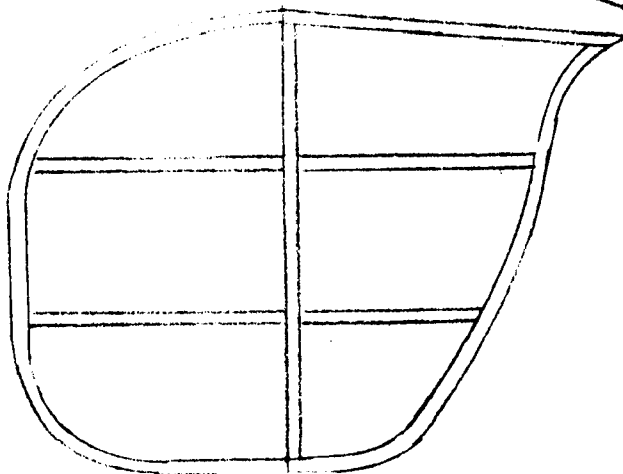
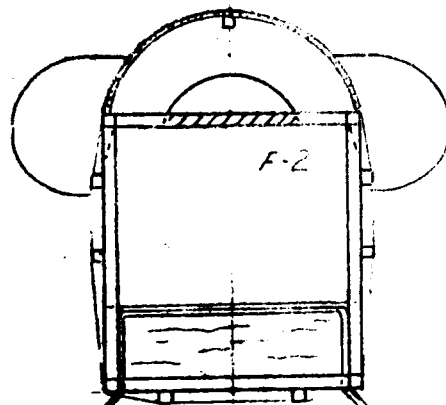
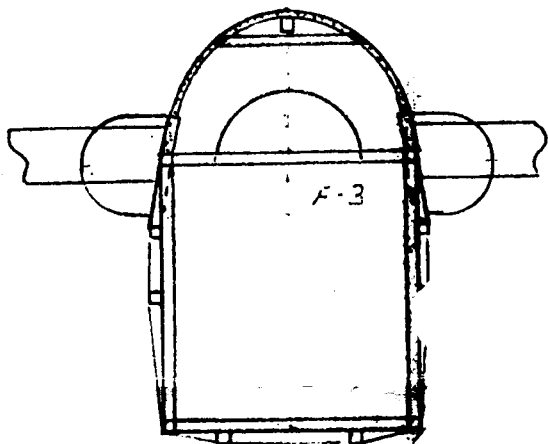
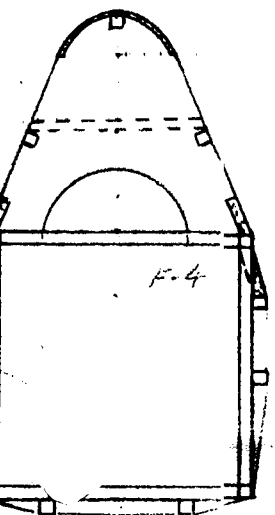
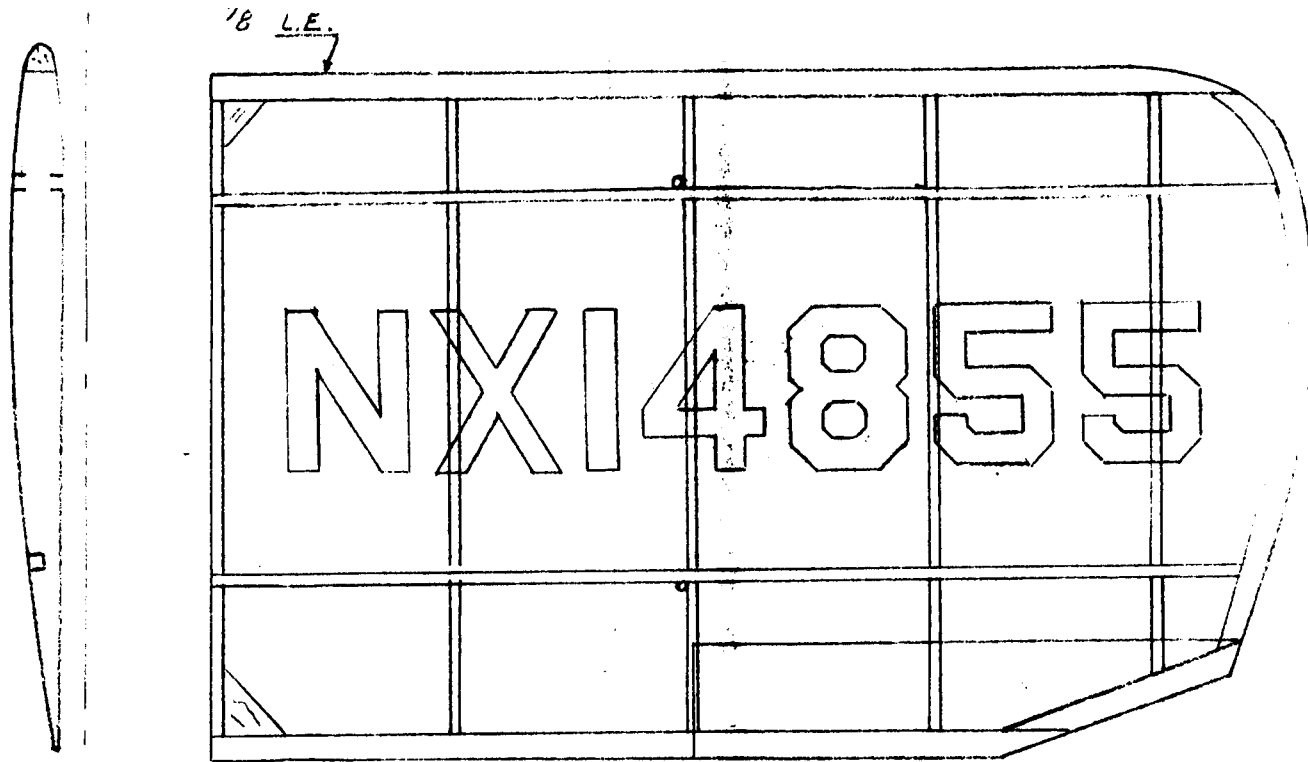


3/32" TAPELLO T.E. ↗



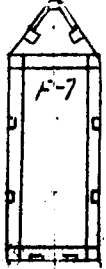
BASIC FRAME 1/16 SQ.



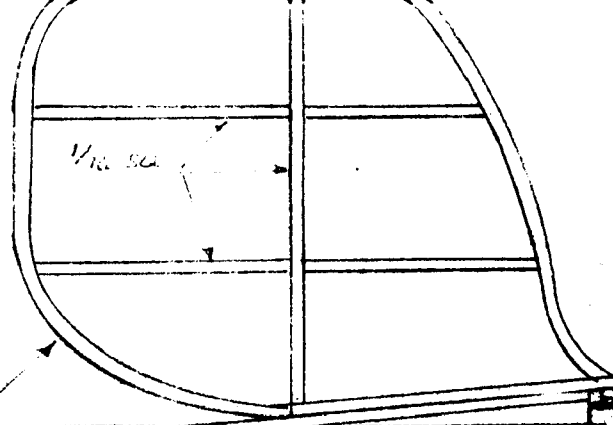
3/4" OVER BUSH
BALLBEARING MOUNTS

VAC FORM CHEEK COWLS
FROM OLD STYRENE

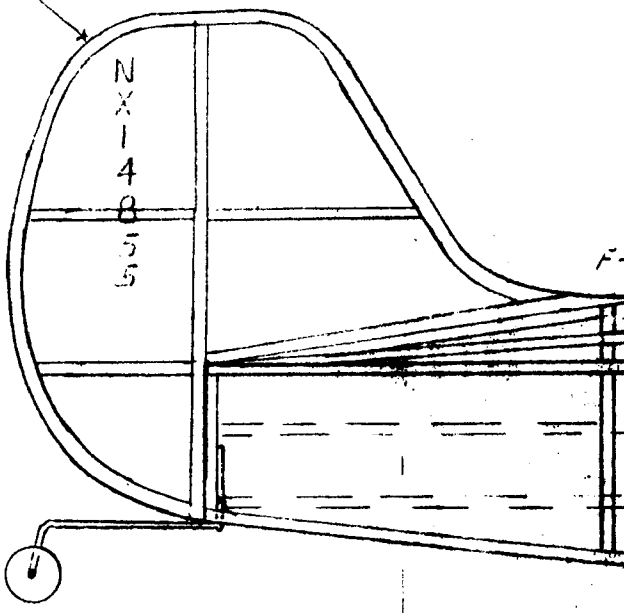
BEARING
AND
PLASTIC CAP



BASIC FRAME 1/16 SQ.



IMS 1/16 AROUND
3M FOLIO OUTLINE



1/32 TURTLE DECK CAP

F-5

F-6

F-7

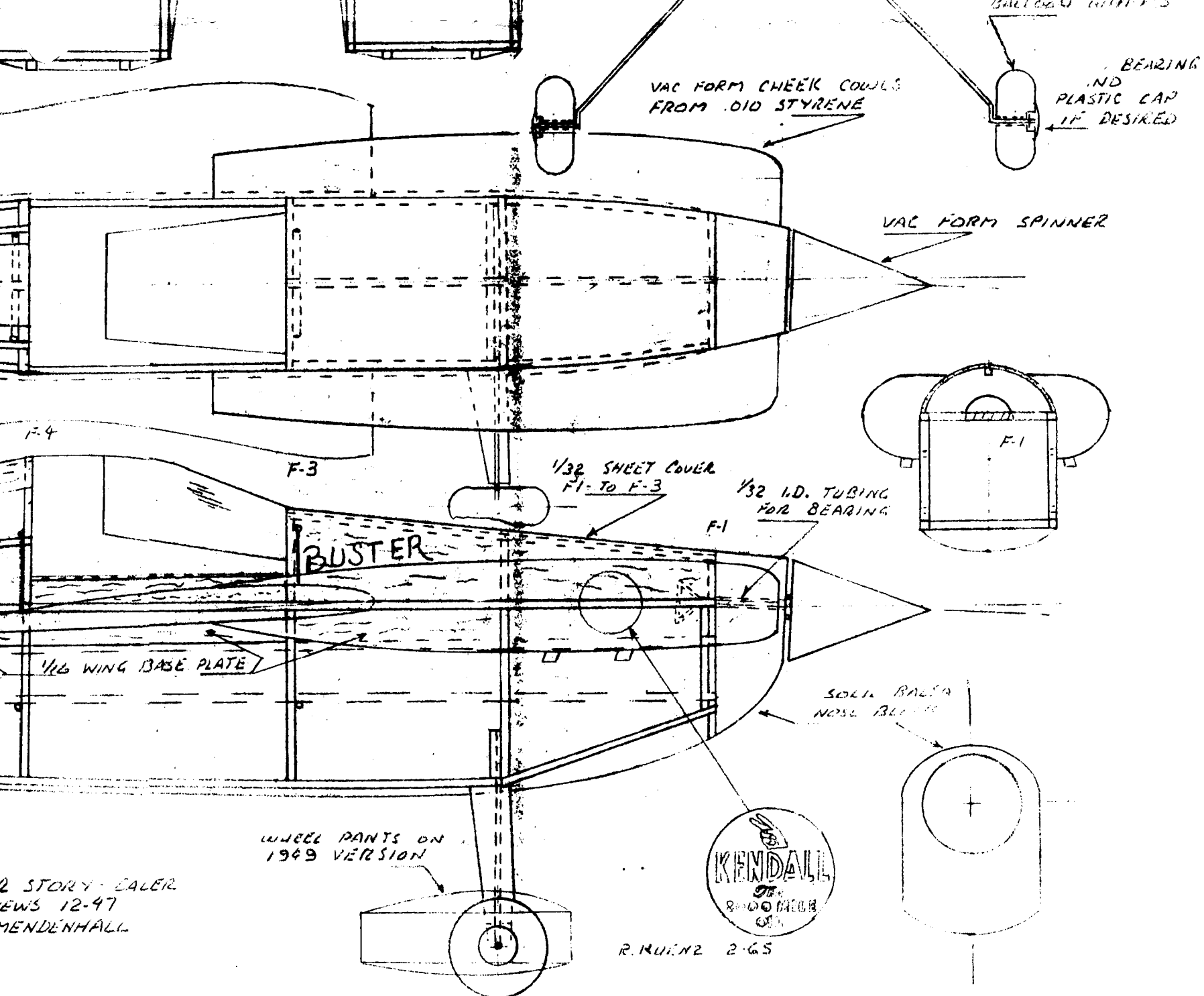
WHITMAN SPECIAL

20

1/16 WIN

AIRCRAFT WAS ALL RED
ALL MARKINGS YELLOW

REFERENCES: AIR TRAILS 4-50
THE ART CHESTER STORY
MODEL AIRPLANE NEWS 12-4
THE AIR RALER - MENDENHALL



2 STORY CALER
NEWS 12-47
MENDENHALL



R. KUENZ 2-65