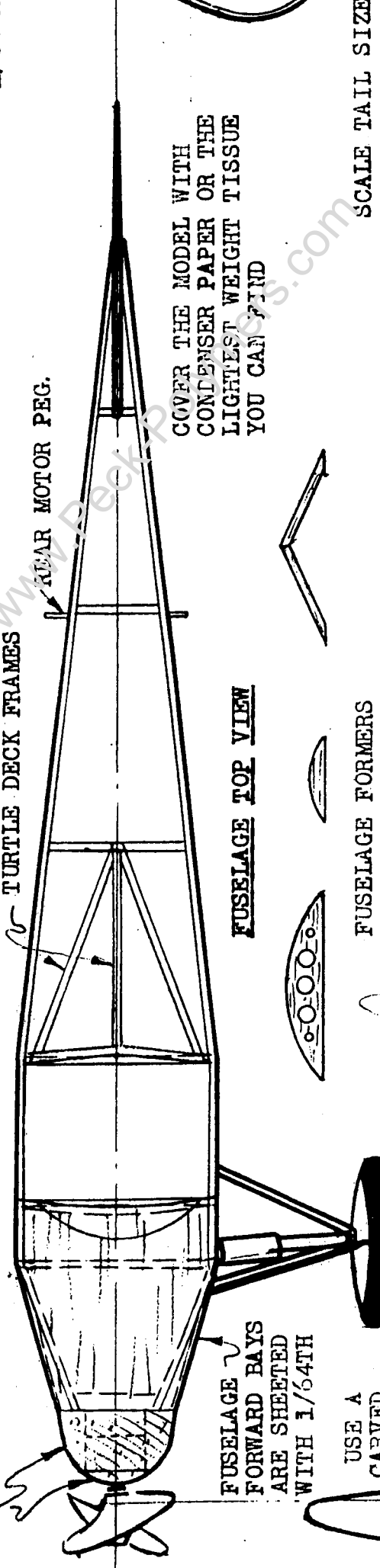


ENGINE CRANKCASE IS MADE FROM A Balsa BLOCK WMS. BROS. THRUST BEARING

WING PLAN VIEW

TAIL OUTLINE IS LAMINATED, USE THREE PIECES OF 1/64 X 1/20 Balsa

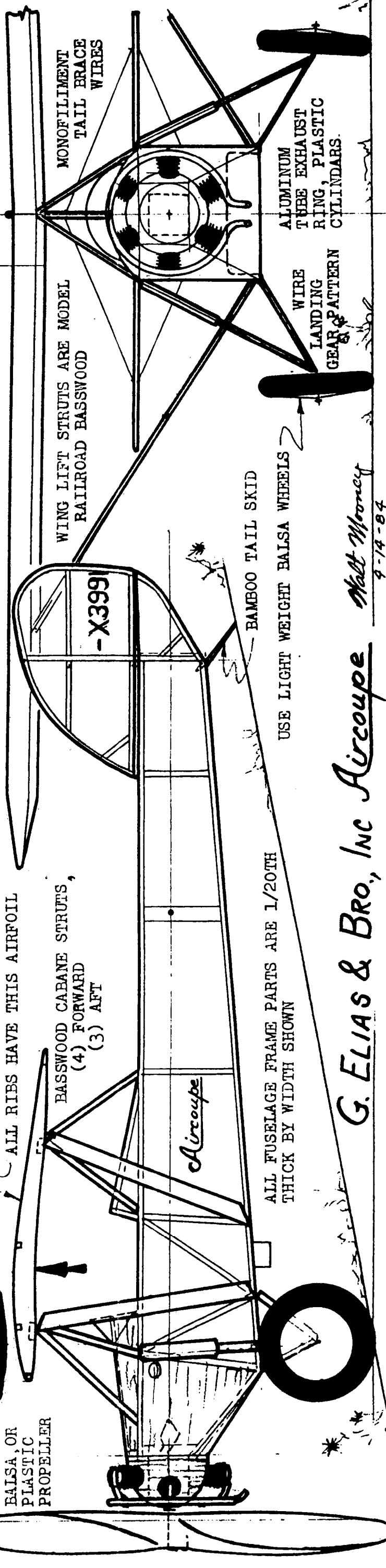


FUSELAGE TOP VIEW

USE A CARVED Balsa, OR PLASTIC PROPELLER

WING LIFT STRUTS ARE MODEL RAILROAD BASSWOOD

HORIZONTAL TAIL PLAN VIEW



BAMBOO TAIL SKID

USE LIGHT WEIGHT Balsa WHEELS

ALL FUSELAGE FRAME PARTS ARE 1/20TH THICK BY WIDTH SHOWN

G. ELIAS & Bro., Inc Aircoupe Malt Mooney 9-14-84