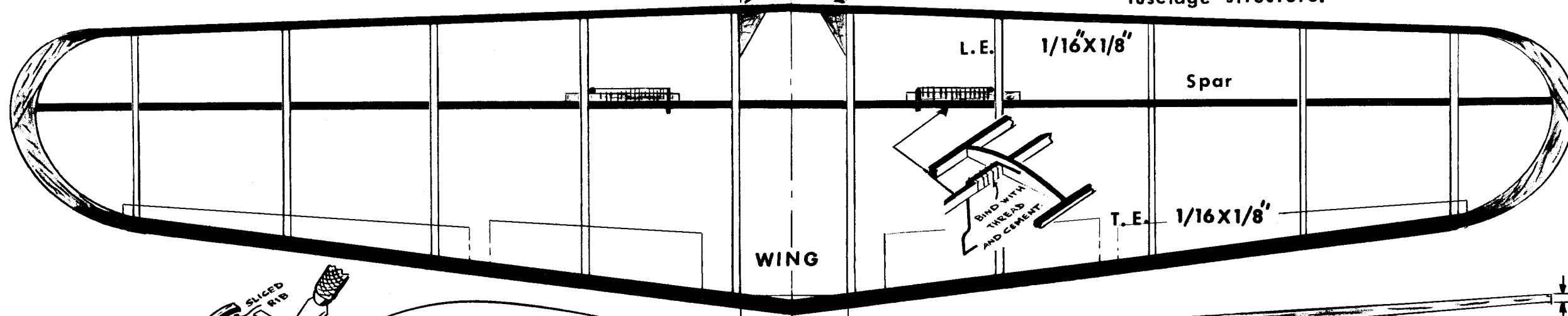


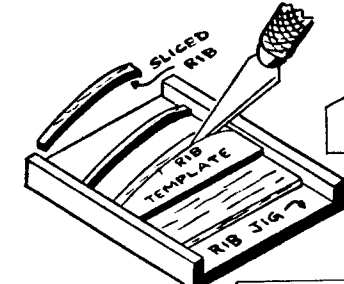
NOTE All parts, unless otherwise noted, are 1/16" thick balsa.

Dihedral break.

NOTE Nose block is removable and has a locating block on the back side that fits inside the fuselage structure.

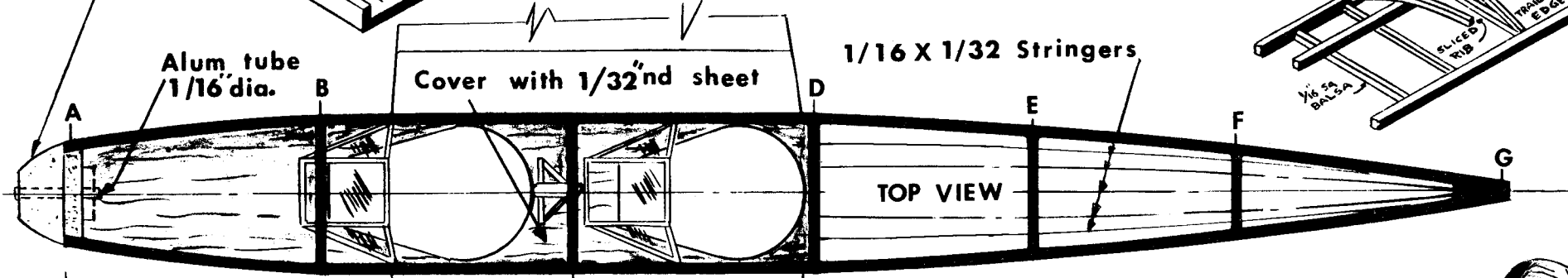
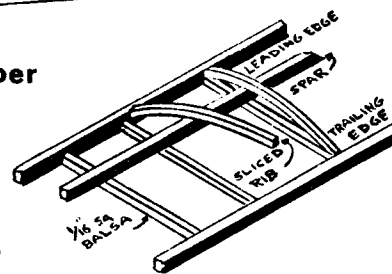


1/2" Dihedral



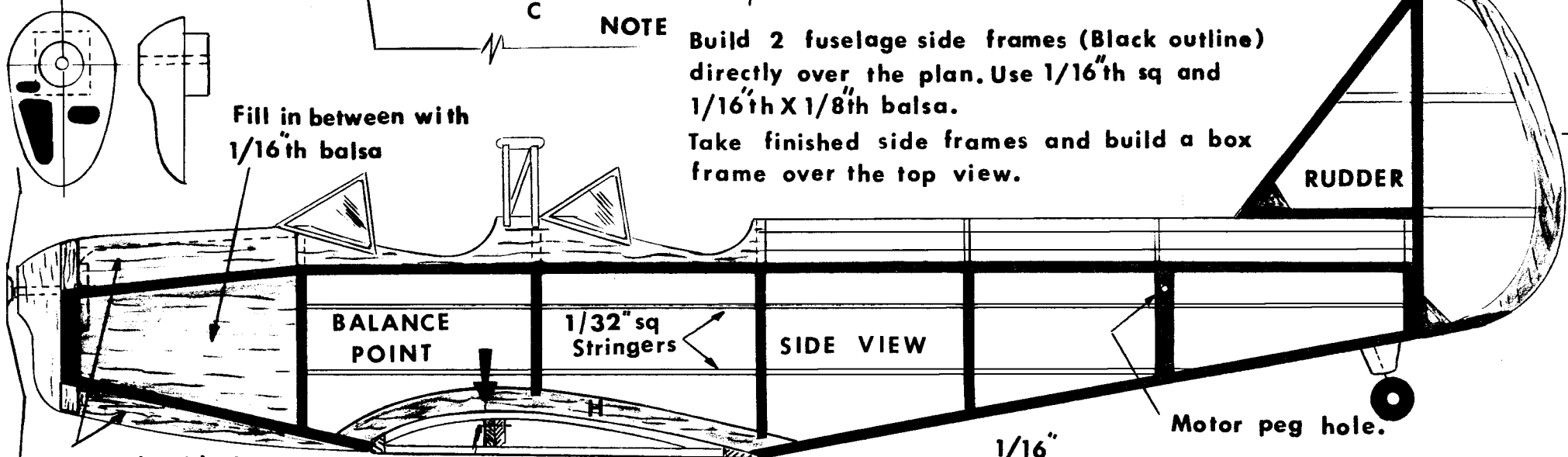
RIB template

3/16" NOTE Taper



NOTE Build 2 fuselage side frames (Black outline) directly over the plan. Use 1/16" sq and 1/16" X 1/8" balsa. Take finished side frames and build a box frame over the top view.

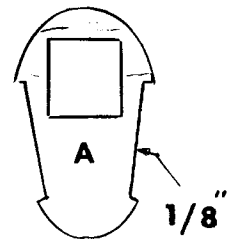
Fill in between with 1/16" balsa



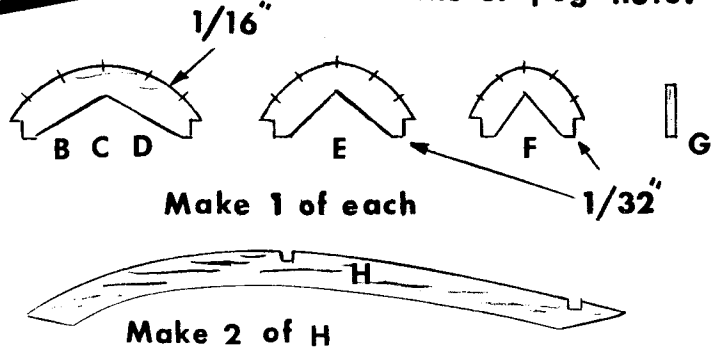
Use balsa blocks on top and bottom, carve-sand to fit. Landing gear and Prop hook 1/32" music wire.



Cutdown Sleek-Streak propeller



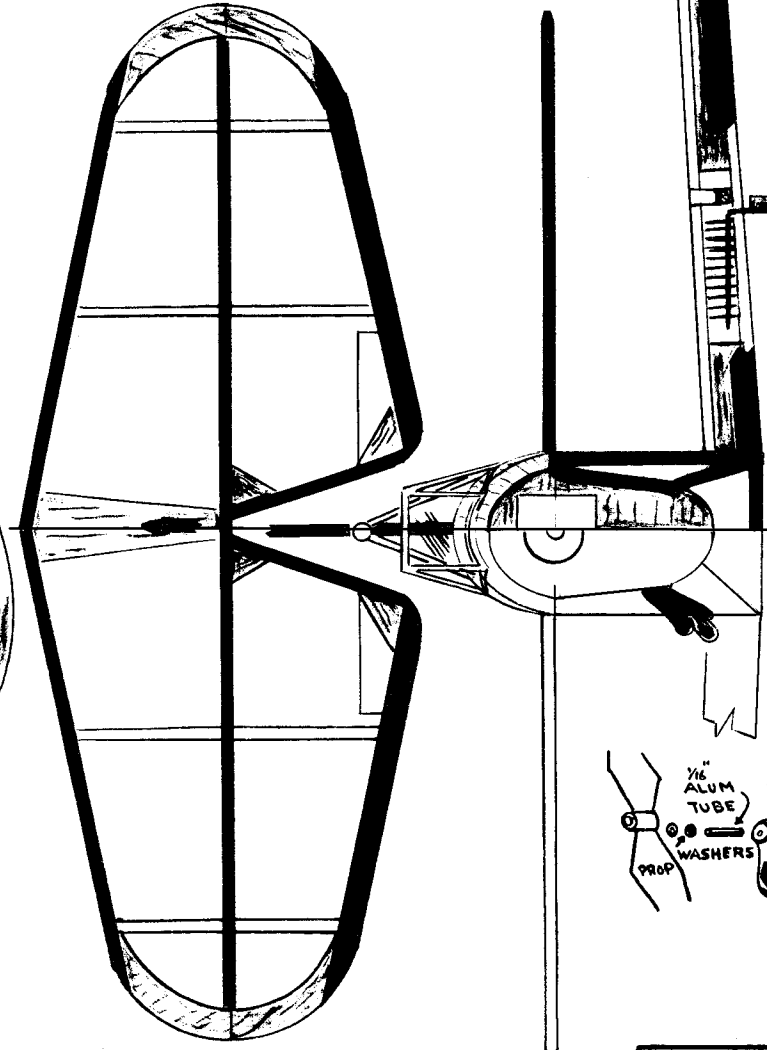
Wheels 3/4 dia



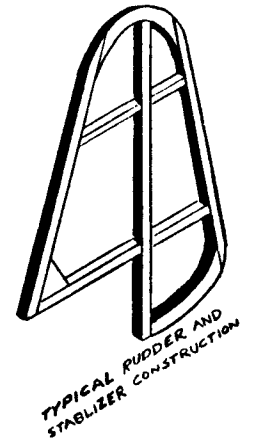
Make 1 of each

Make 2 of H

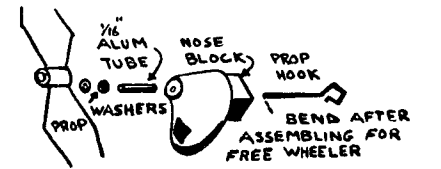
STABLIZER



FRONT VIEW



TYPICAL RUDDER AND STABILIZER CONSTRUCTION



BEND AFTER ASSEMBLING FOR FREE WHEELER

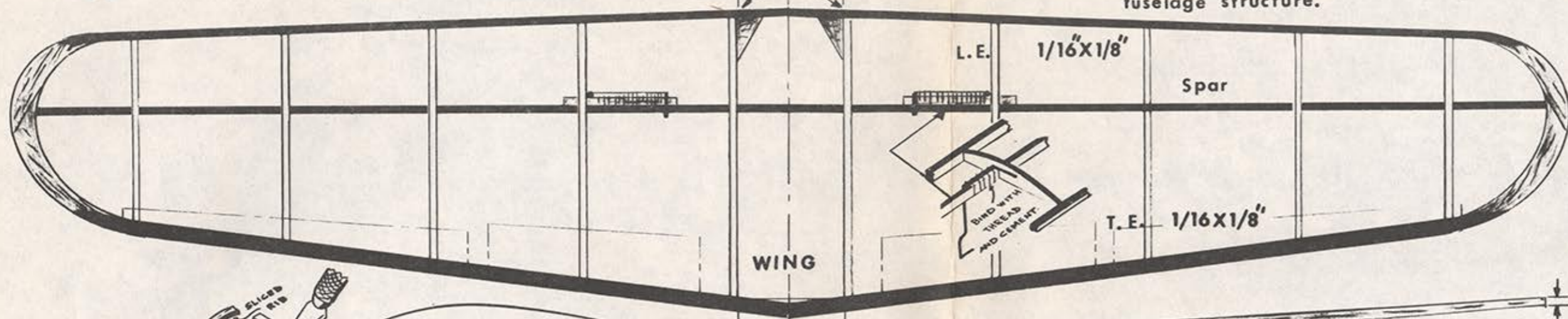
FAIRCHILD PT-19

JANICK MODEL ENGINEERING  
 32 FARLEY ROAD SCARSDALE N.Y. 10583  
 PLAN N° L-100

NOTE All parts, unless otherwise noted, are 1/16" thick balsa.

Dihedral break.

NOTE Nose block is removable and has a locating block on the back side that fits inside the fuselage structure.

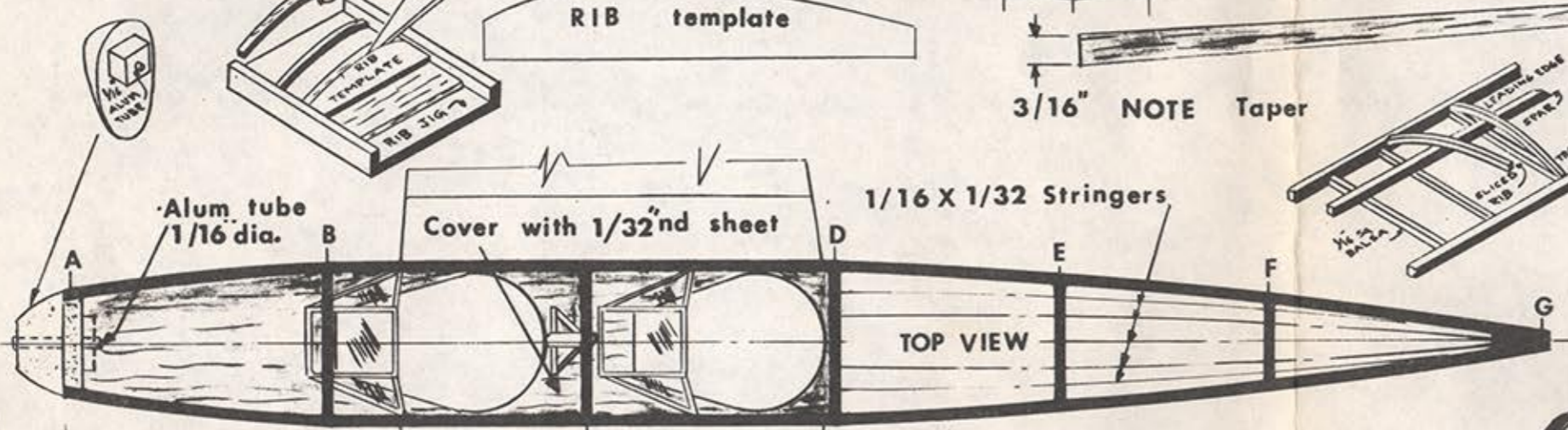


1/2" Dihedral



RIB template

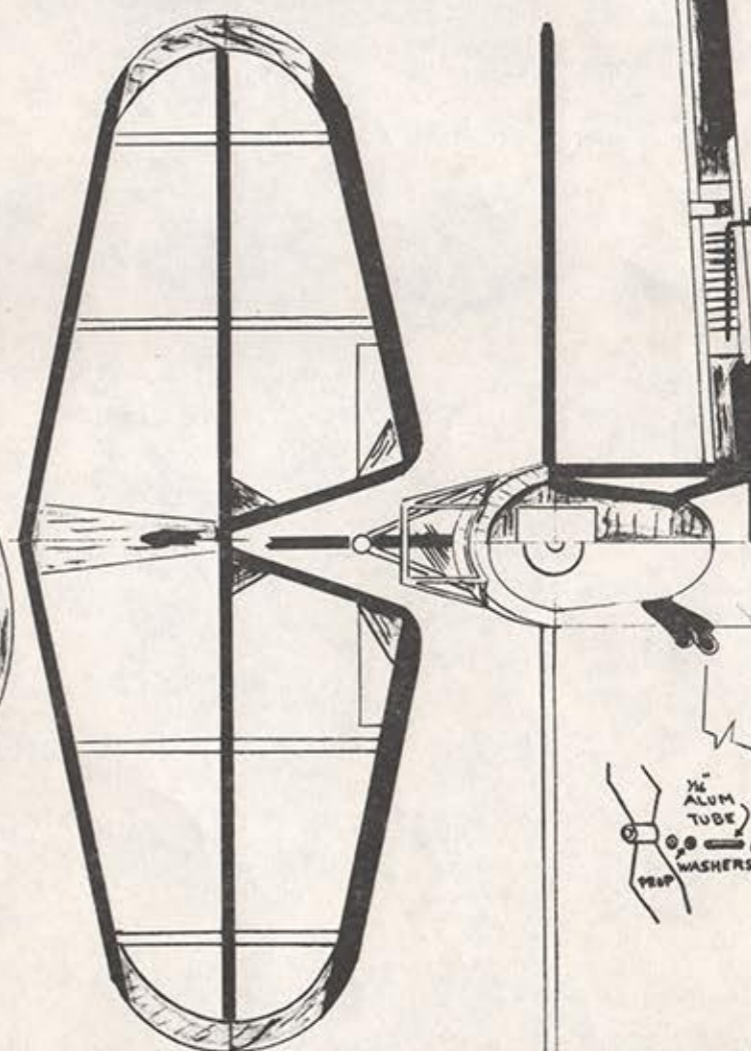
3/16" NOTE Taper



1/16 X 1/32 Stringers

TOP VIEW

STABILIZER



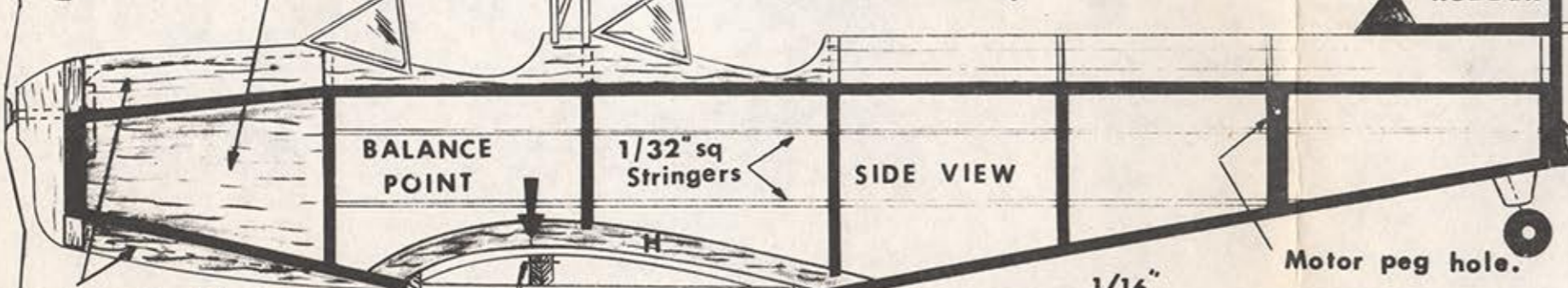
FRONT VIEW



TYPICAL PUDGER AND STABILIZER CONSTRUCTION

NOTE Build 2 fuselage side frames (Black outline) directly over the plan. Use 1/16" sq and 1/16" X 1/8" balsa. Take finished side frames and build a box frame over the top view.

Fill in between with 1/16" balsa



BALANCE POINT

1/32" sq Stringers

SIDE VIEW

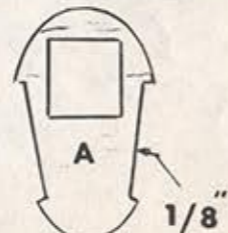
RUDDER

Motor peg hole.

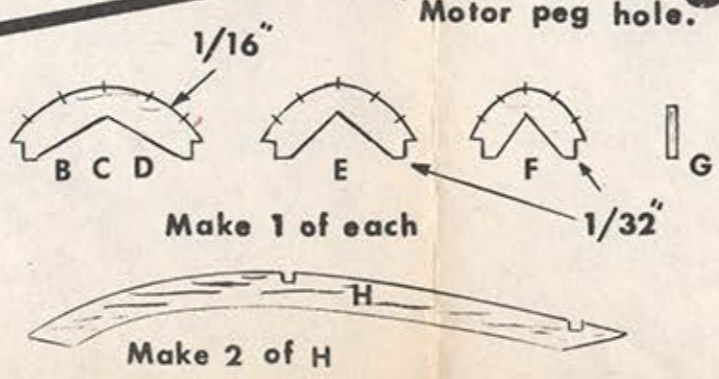
Use balsa blocks on top and bottom, carve-sand to fit. Landing gear and Prop hook 1/32" music wire.



Cutdown Sleek-Streak propeller



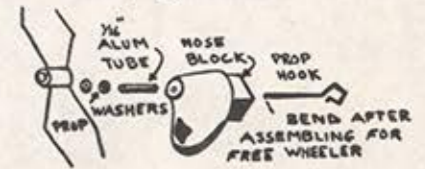
Wheels 3/4 dia



Make 1 of each

Make 2 of H

FAIRCHILD PT-19



BEND AFTER ASSEMBLING FOR FREE WHEELER

JANICK MODEL ENGINEERING  
 32 FARLEY ROAD SCARSDALE N.Y. 10583  
 PLAN NO L-100

© 1972