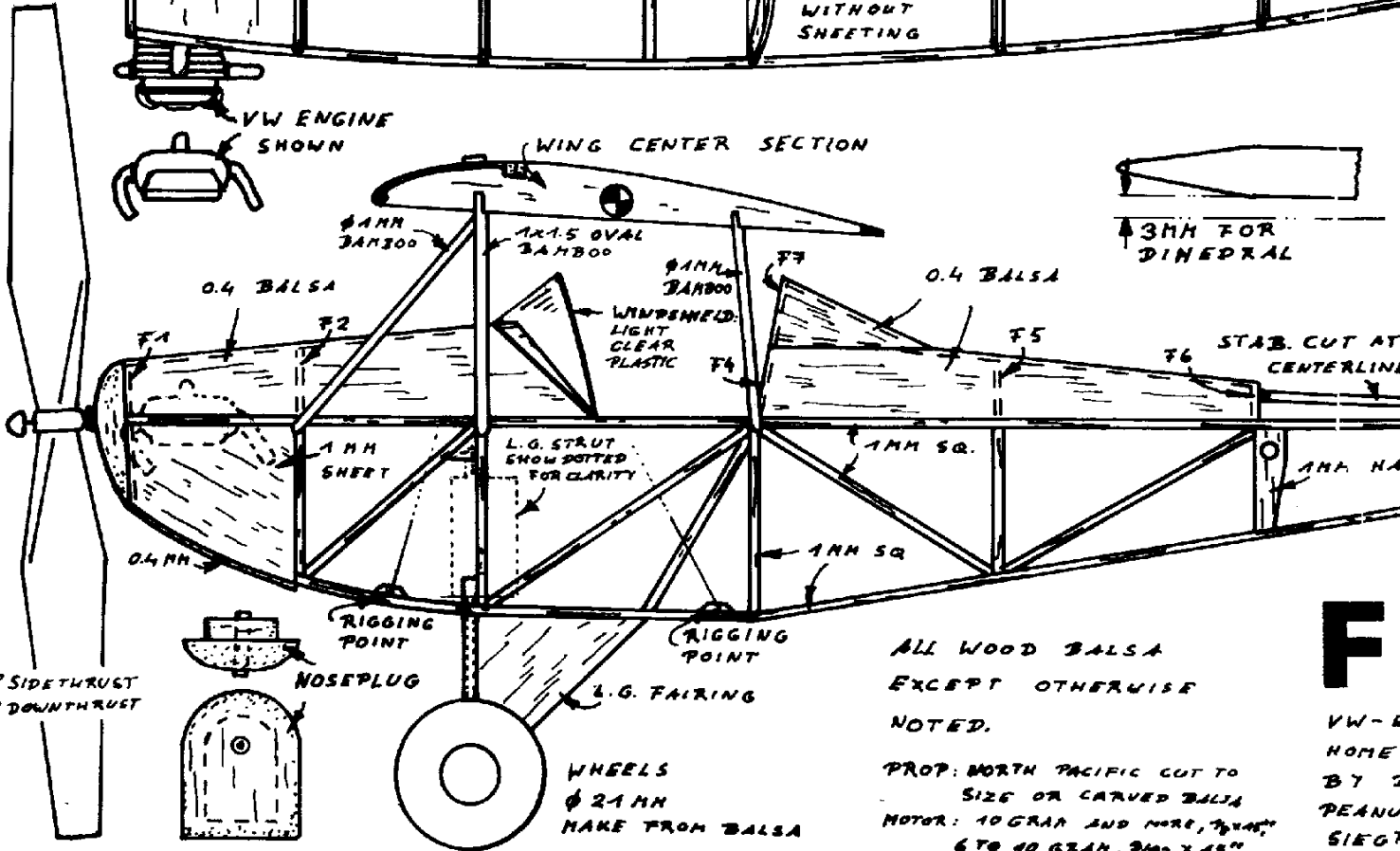
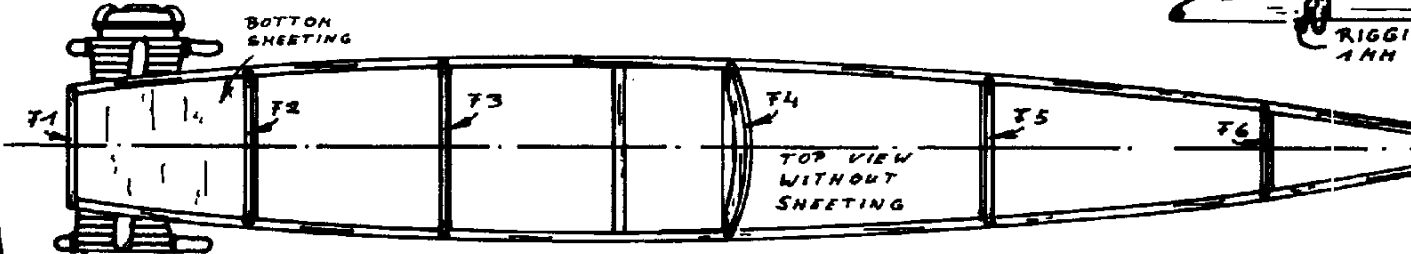
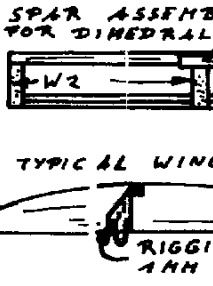
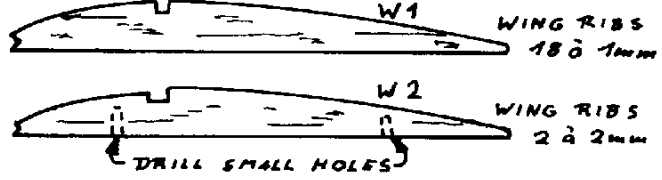
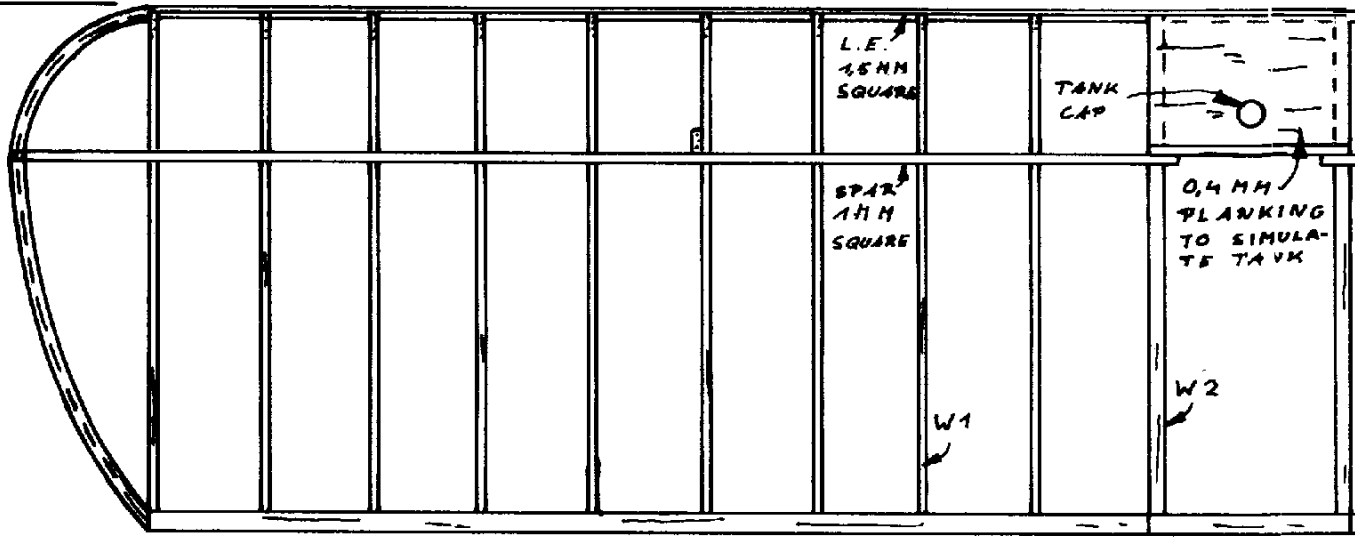
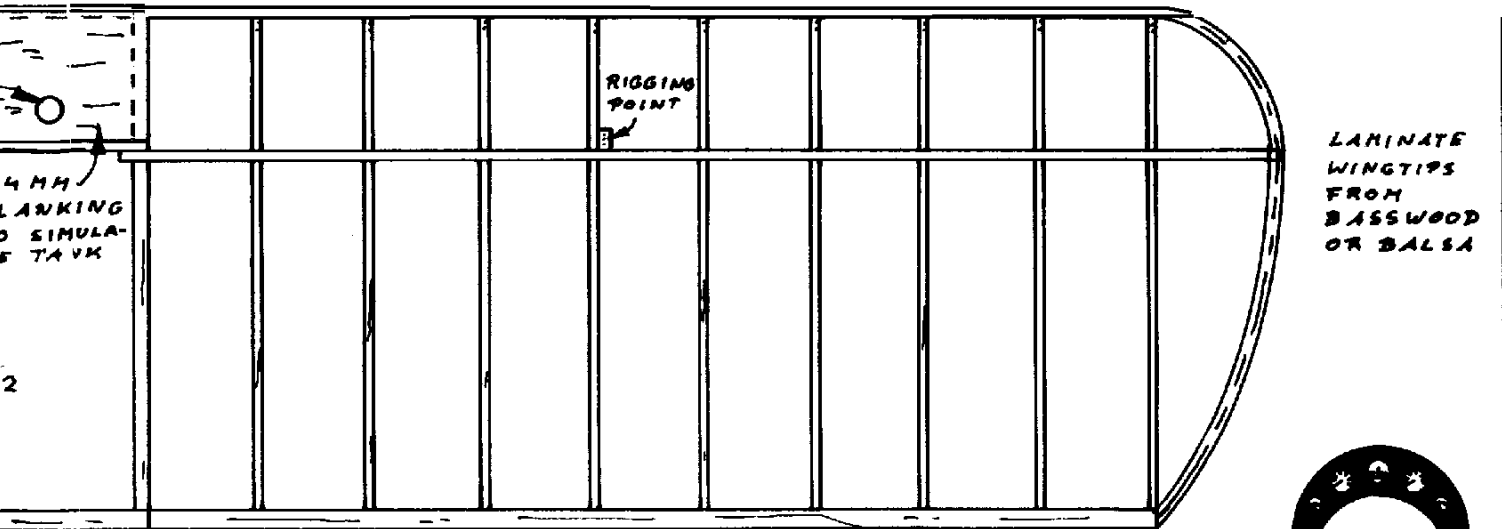


MM	IN
0.4	1/64
0.8	1/32
1	1/16
1.2	1/20
1.5	1/16
2	1/8
3	1/8

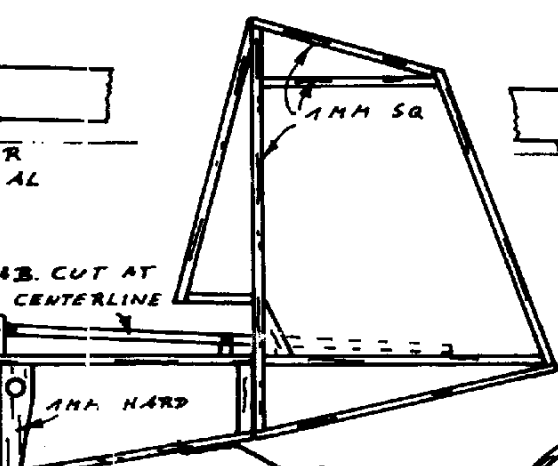


ALL WOOD Balsa EXCEPT OTHERWISE NOTED.
 PROP: NORTH PACIFIC CUT TO SIZE OR CARVED Balsa
 MOTOR: 10 GRAM AND MORE, 7/8" DIA, 6 TO 40 GRAM, 3/32" X 1/8"

F
 VW-E
 HOME
 BY D
 PEANU
 SIEGF



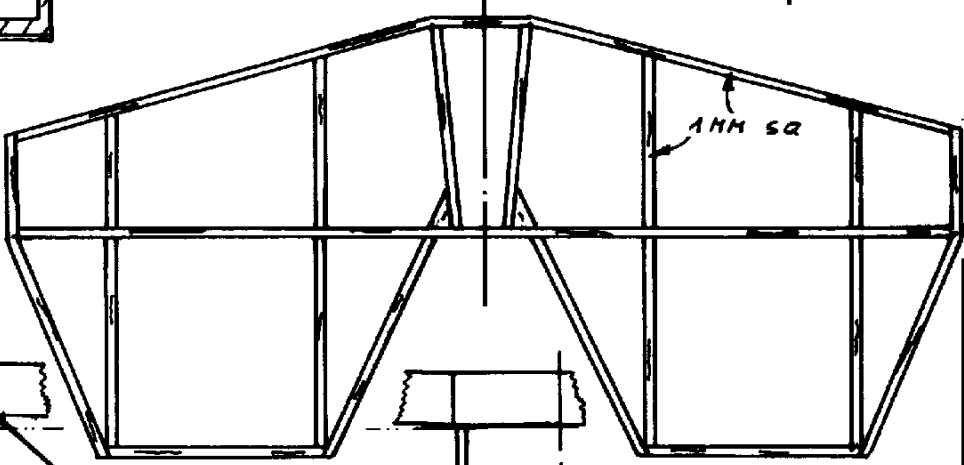
WING SECTION



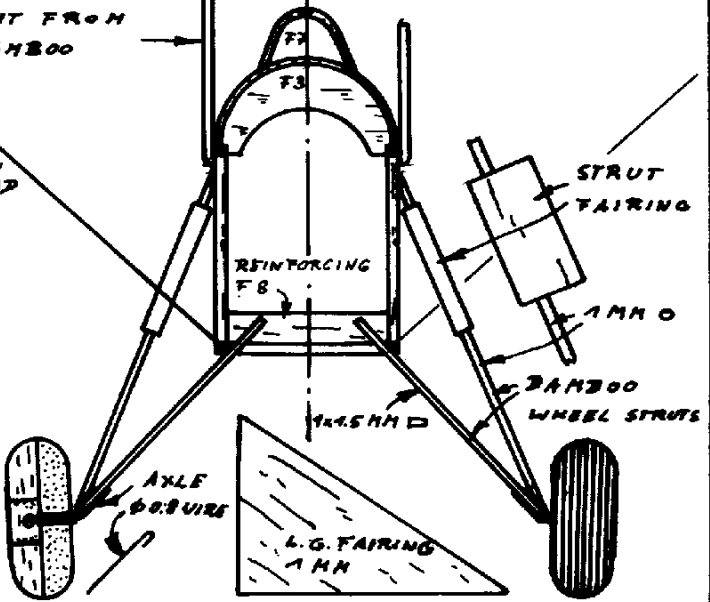
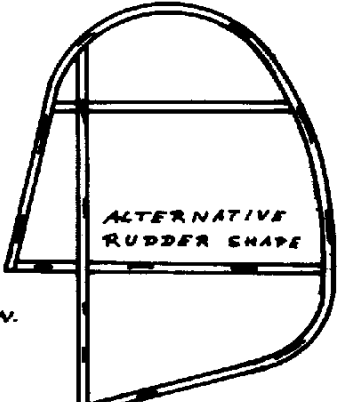
SKID: 0.3 ± 0.0 WIRE



FORMERS F2 TO F7 0.4 MM



MAKE RIGGING FROM THIN THREAD



FRED

VW-ENGINE POWERED
 HOME BUILT - DESIGNED
 BY BRITON ERIC CLUTTON.
 PEANUT SCALED BY
 SIEGFRIED GLOECHNER