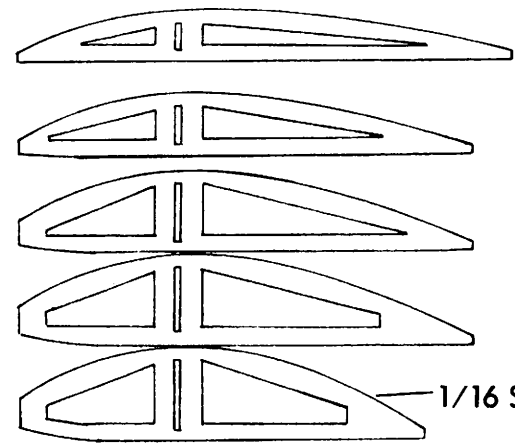


MOLD 2 - 1/32 X 1/16 Balsa
ALL RIBS EXCEPT ROOT RIBS 1/32 SHT

1/16 SHT
SEE FRONT VIEW

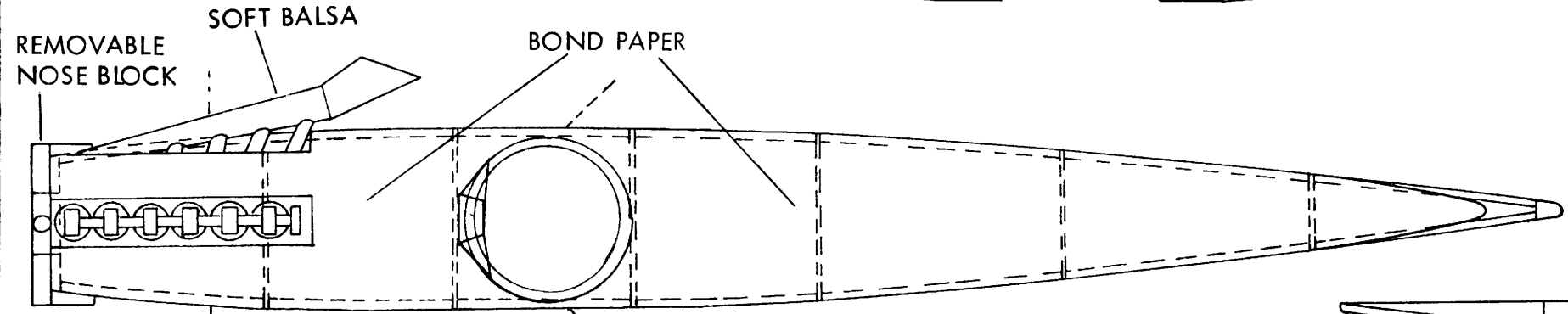
1/16 SQR

1/32 SHT



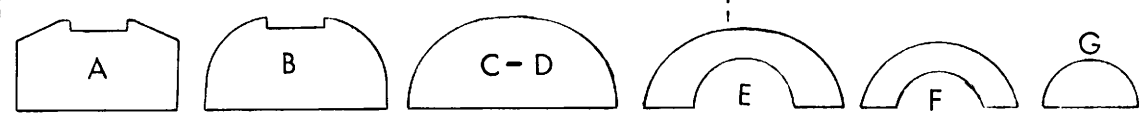
1/16 SHT

MOLD 2 - 1/32 X 1/16 Balsa



PWR: 1/8 LOOP FLAT RUBBER WITH PECK-POLYMERS
PLASTIC P-NUT PROP & PROP HOOK

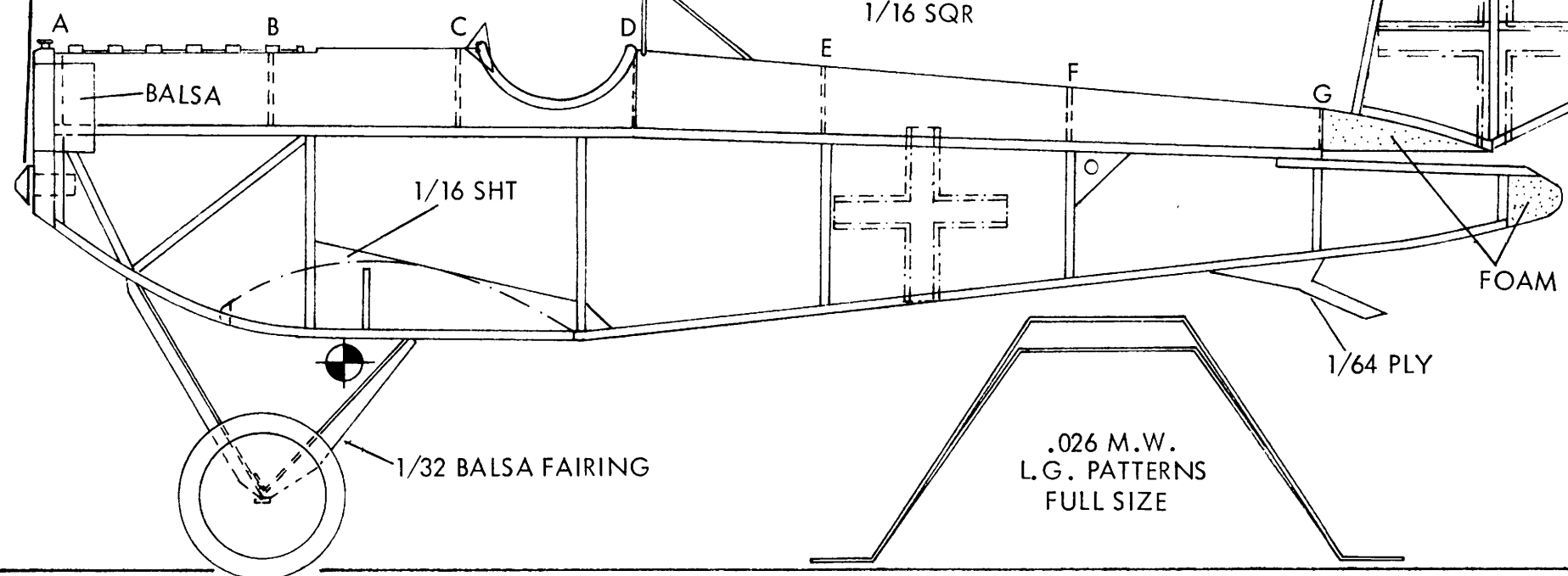
.026 M.W.



A-2 LAMIN. 1/32 SHT
B-G - 1/32 SHT

FUS. LONGERONS, CROSS MEMBERS, AND UPRIGHTS 1/16 SQR

PECK-POLYMERS THRUST BUTTON



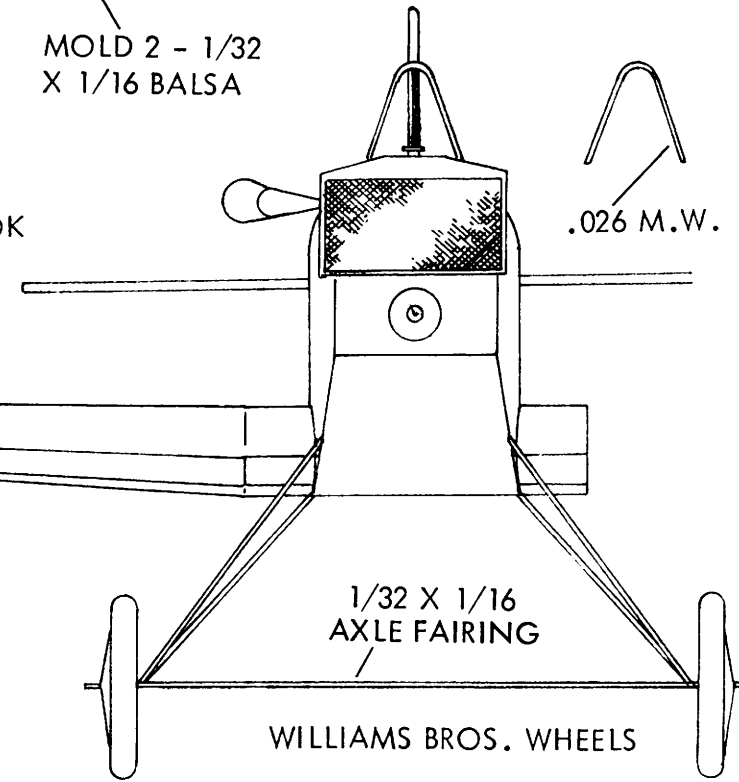
STAB & FIN 1/16 SQRS

FOAM

1/64 PLY

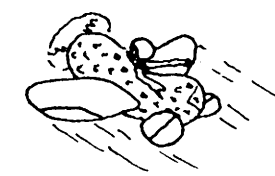
.026 M.W.
L.G. PATTERNS
FULL SIZE

1/32 Balsa FAIRING



1/32 X 1/16 AXLE FAIRING

WILLIAMS BROS. WHEELS



JUNKERS D-1

Aero Era P-nut

AERO ERA PLANS
SPORT AND SCALE
11333 N. LAKE SHORE DR.
MEQUON, WI. 53092

COPYRIGHT AERO ERA 1976