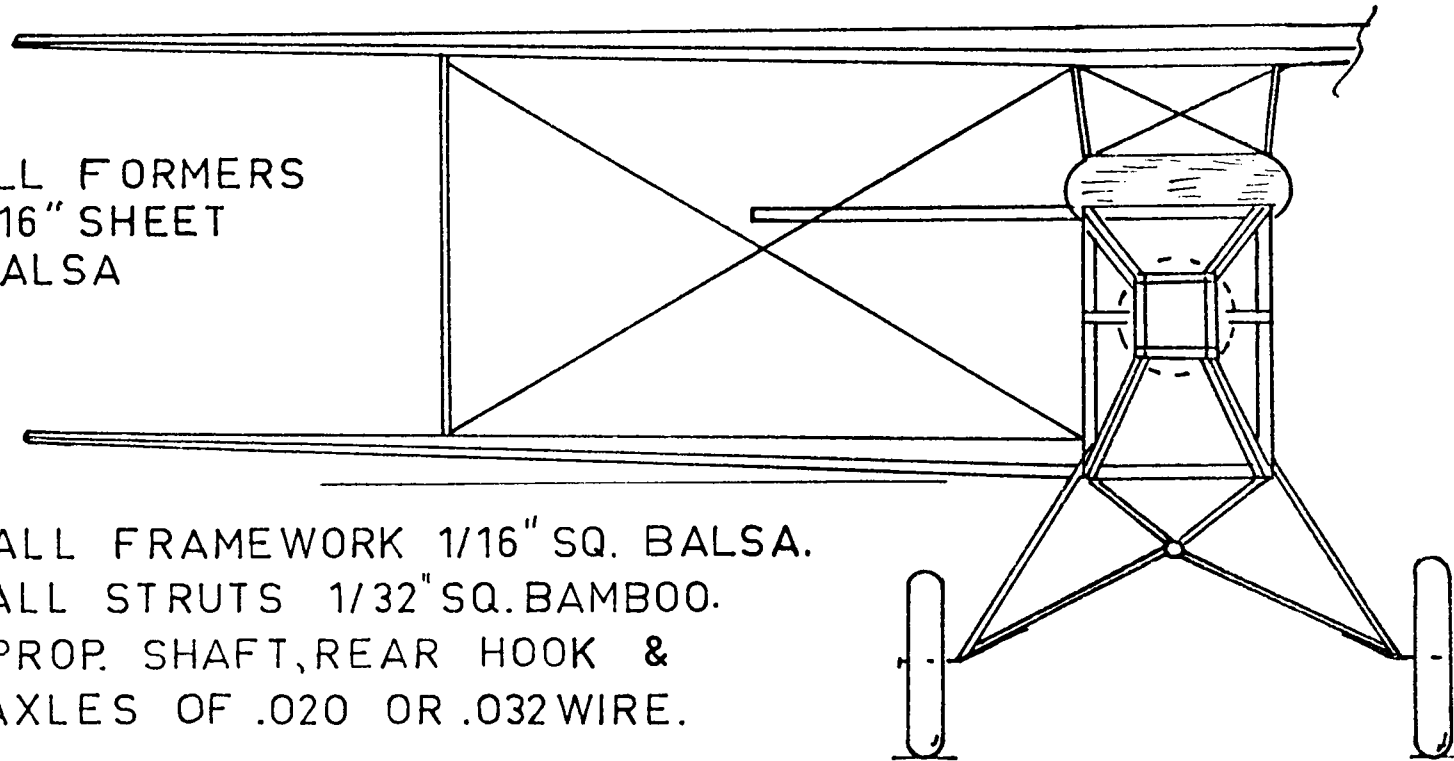
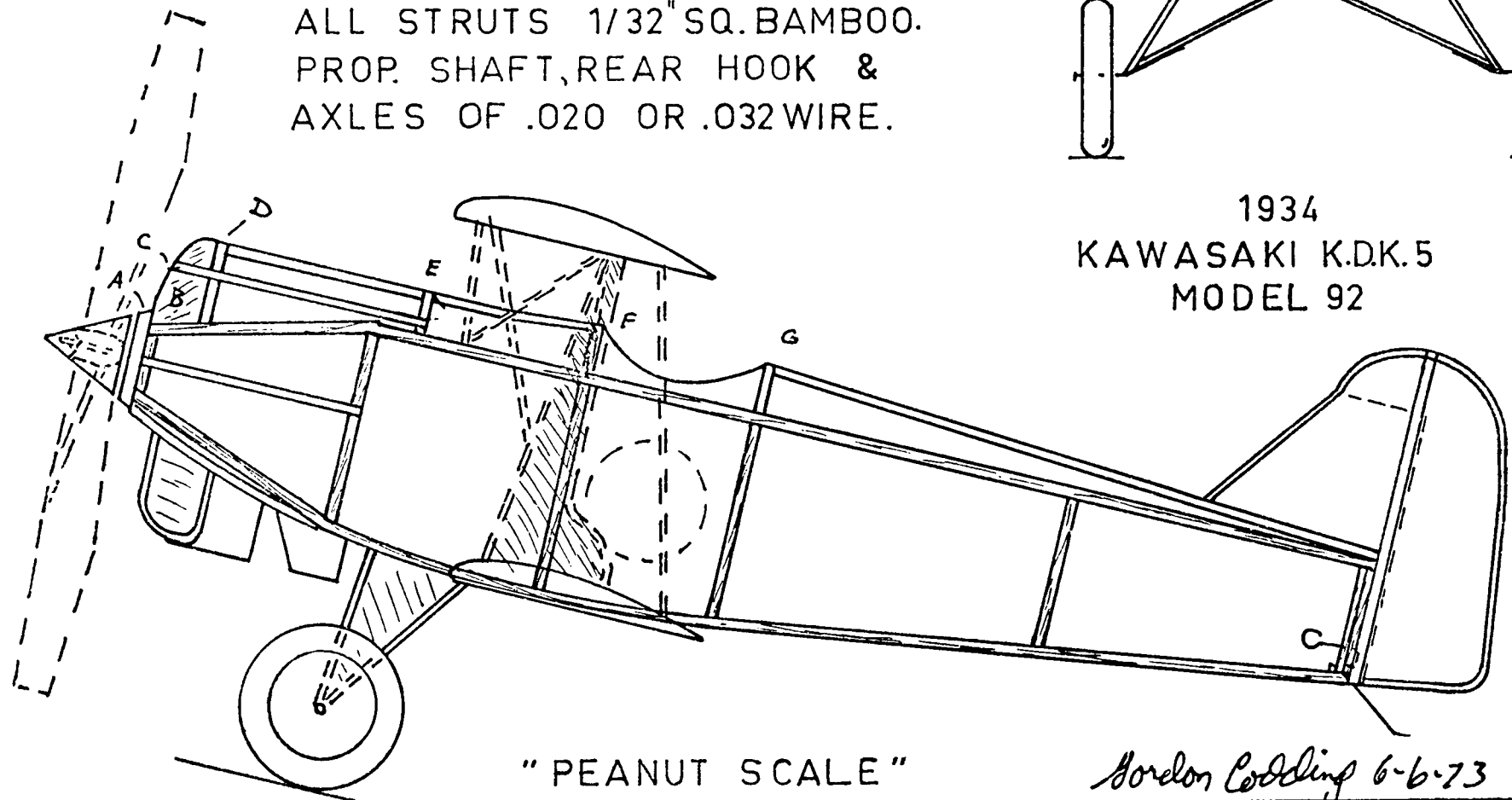


ALL FORMERS  
1/16" SHEET  
BALSA

ALL FRAMEWORK 1/16" SQ. BALSA.  
ALL STRUTS 1/32" SQ. BAMBOO.  
PROP. SHAFT, REAR HOOK &  
AXLES OF .020 OR .032 WIRE.

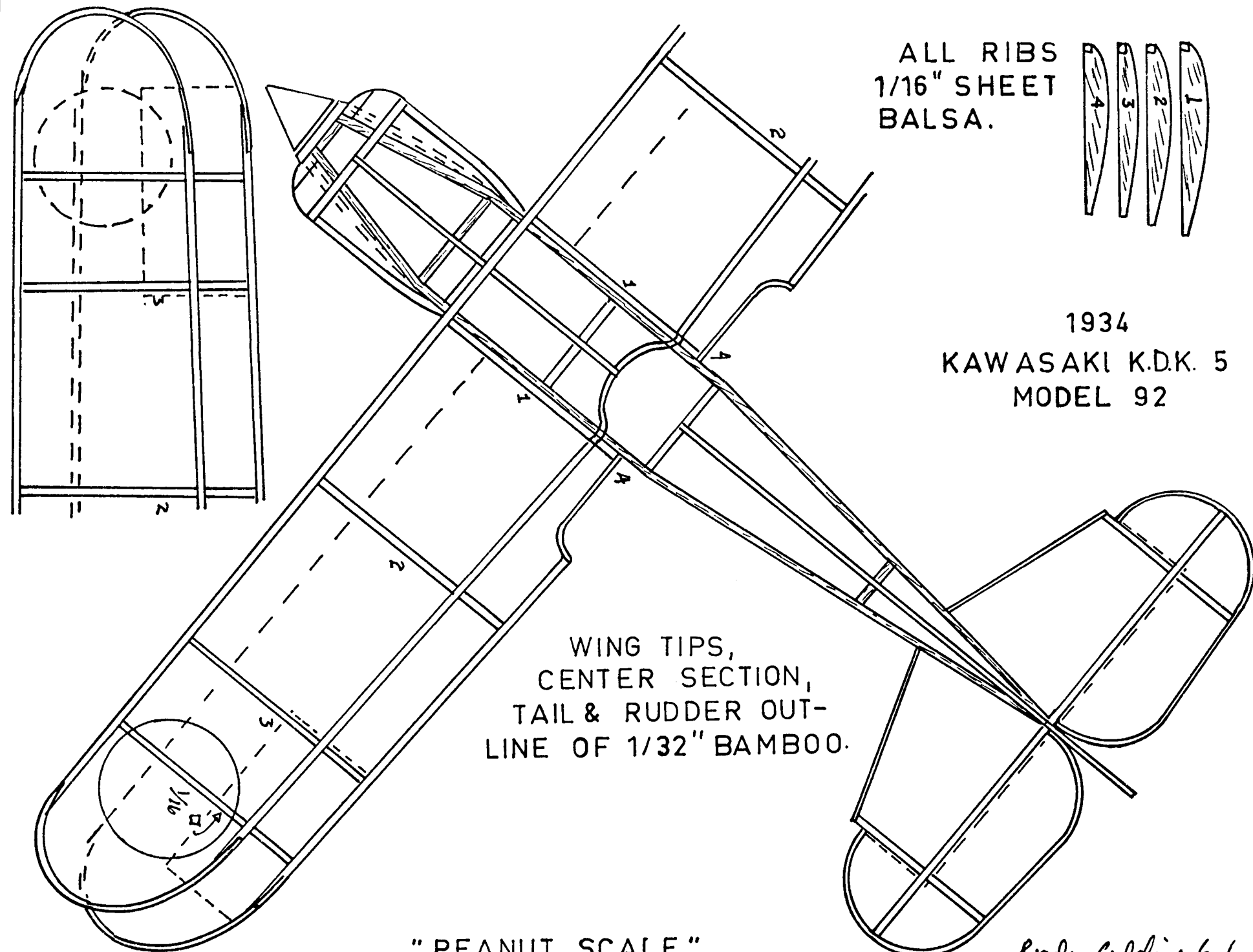


1934  
KAWASAKI K.D.K. 5  
MODEL 92

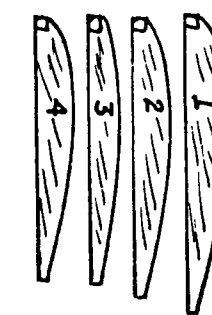


"PEANUT SCALE"

*Gordon Coddling 6-6-73*



ALL RIBS  
1/16" SHEET  
BALSA.



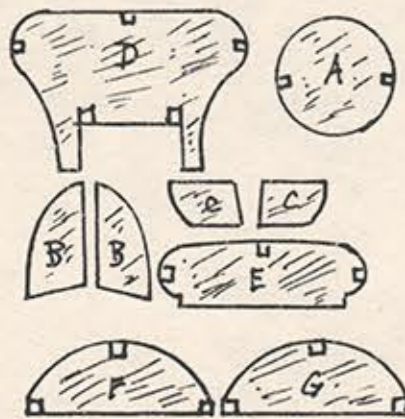
1934  
KAWASAKI K.D.K. 5  
MODEL 92

WING TIPS,  
CENTER SECTION,  
TAIL & RUDDER OUT-  
LINE OF 1/32" BAMBOO.

"PEANUT SCALE"

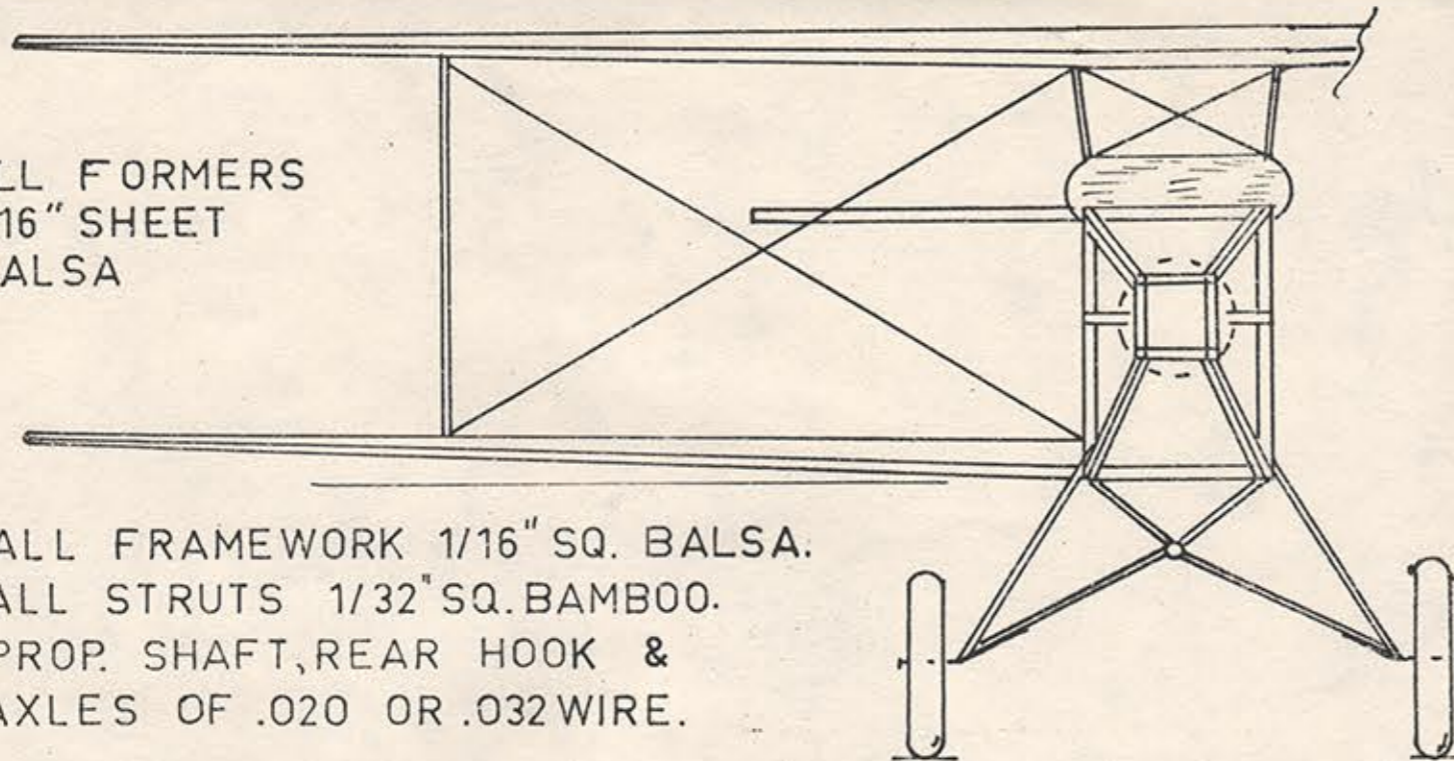
*Gordon Coddling 6-6-73*



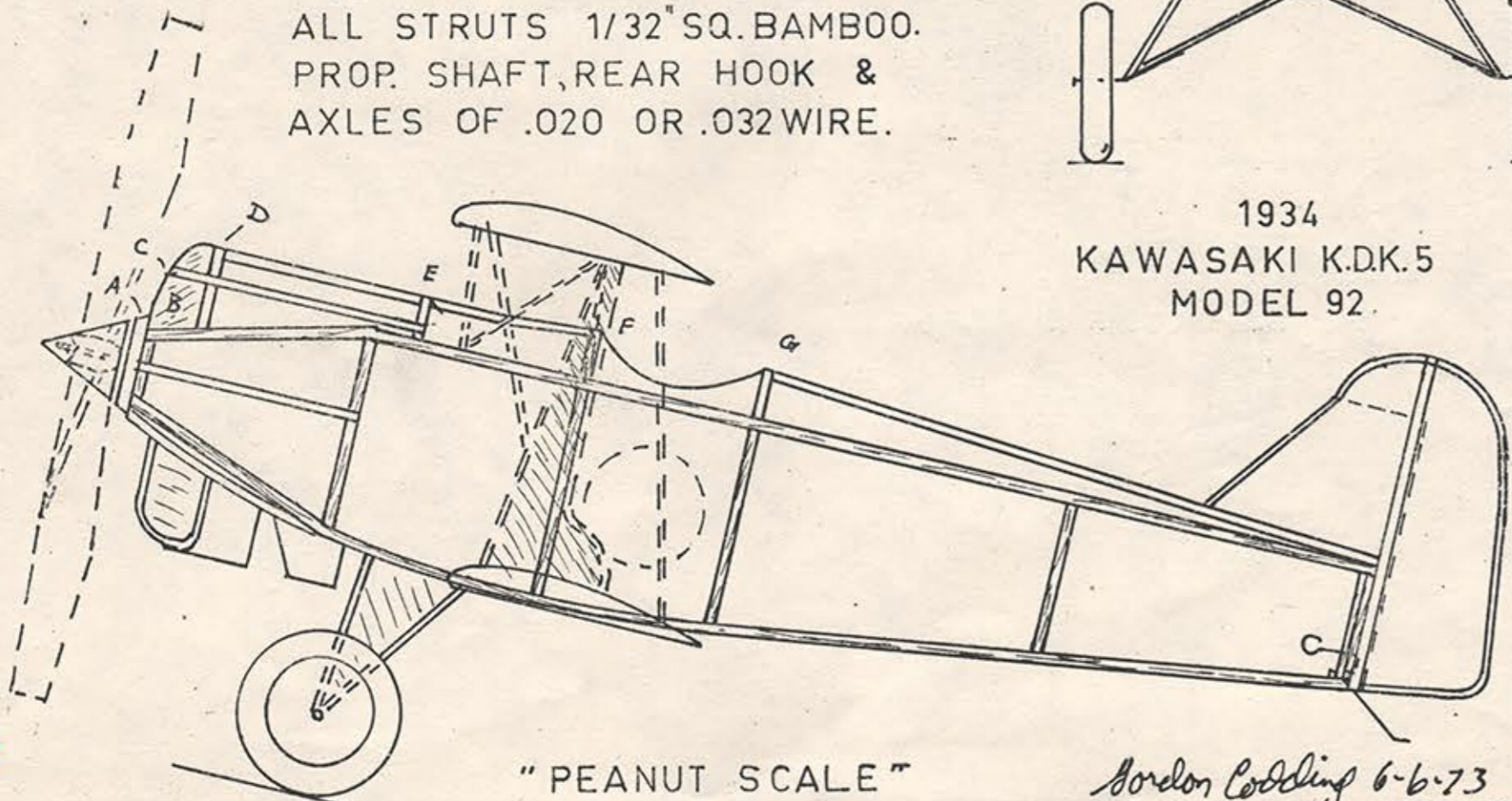


ALL FORMERS  
1/16" SHEET  
BALSA

ALL FRAMEWORK 1/16" SQ. BALSA.  
ALL STRUTS 1/32" SQ. BAMBOO.  
PROP. SHAFT, REAR HOOK &  
AXLES OF .020 OR .032 WIRE.



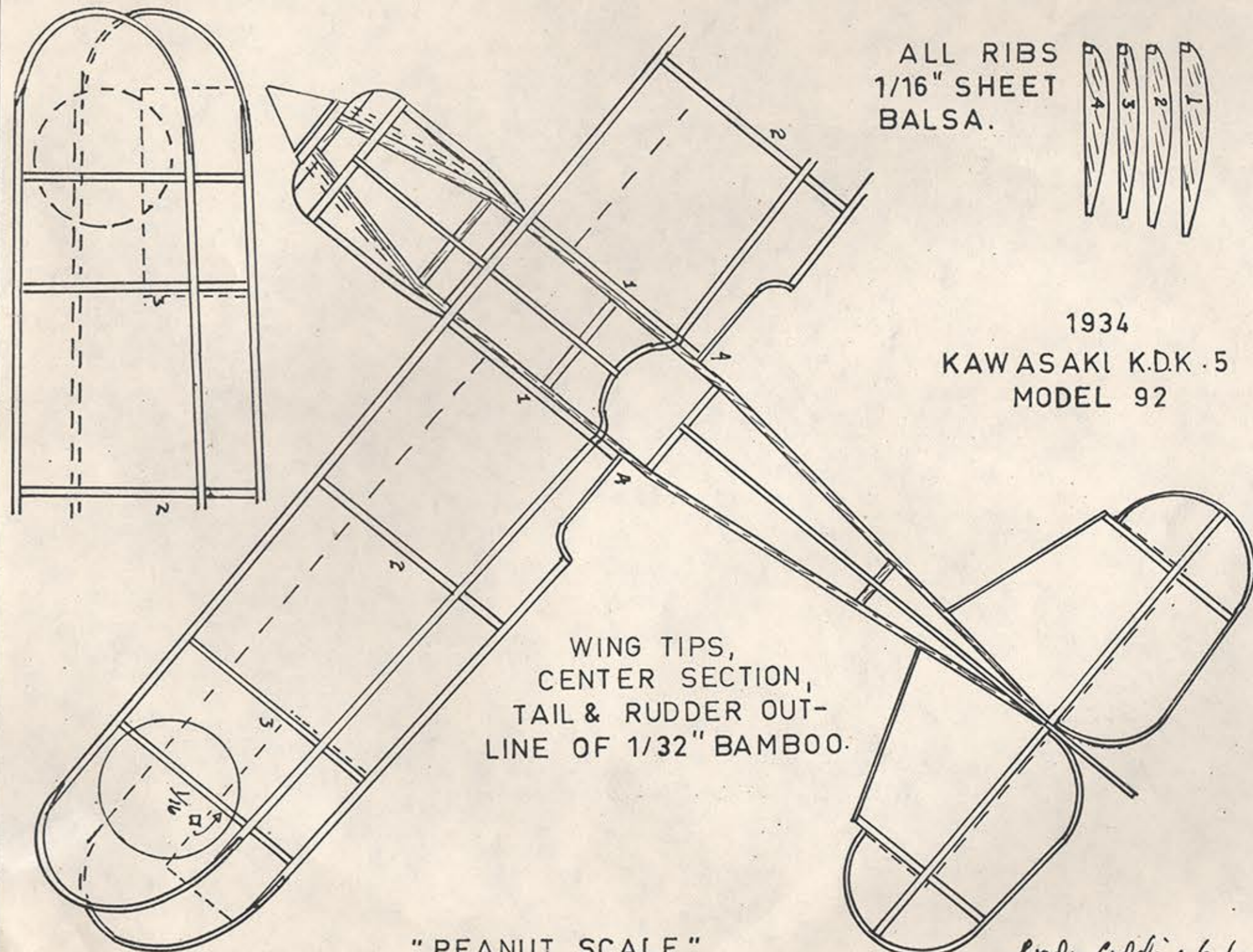
1934  
KAWASAKI K.D.K. 5  
MODEL 92.



"PEANUT SCALE"

*Gordon Coddling 6-6-73*

504



ALL RIBS  
1/16" SHEET  
BALSA.



1934  
KAWASAKI K.D.K. 5  
MODEL 92

WING TIPS,  
CENTER SECTION,  
TAIL & RUDDER OUT-  
LINE OF 1/32" BAMBOO.

"PEANUT SCALE"

*Gordon Coddling 6-6-73*