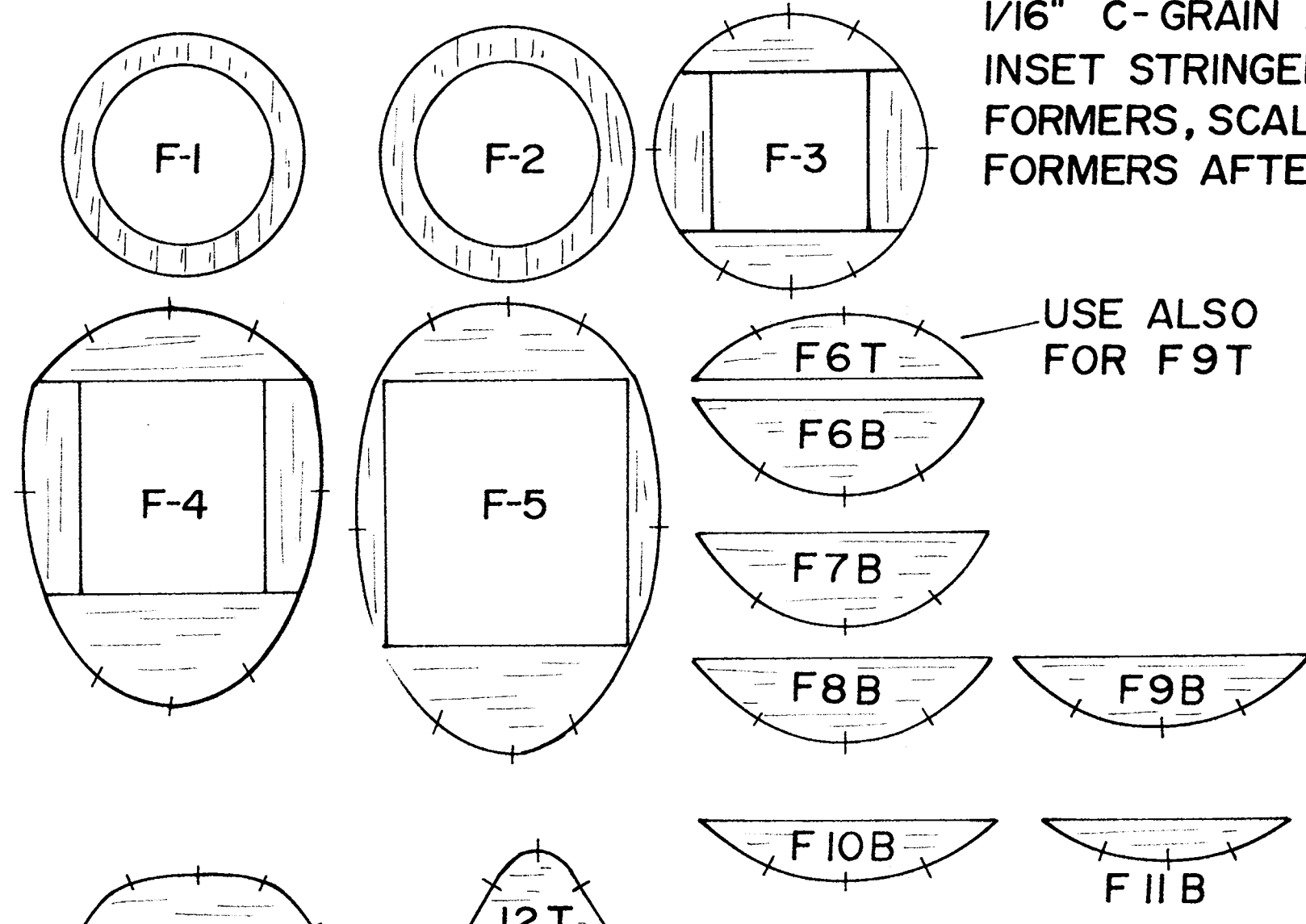
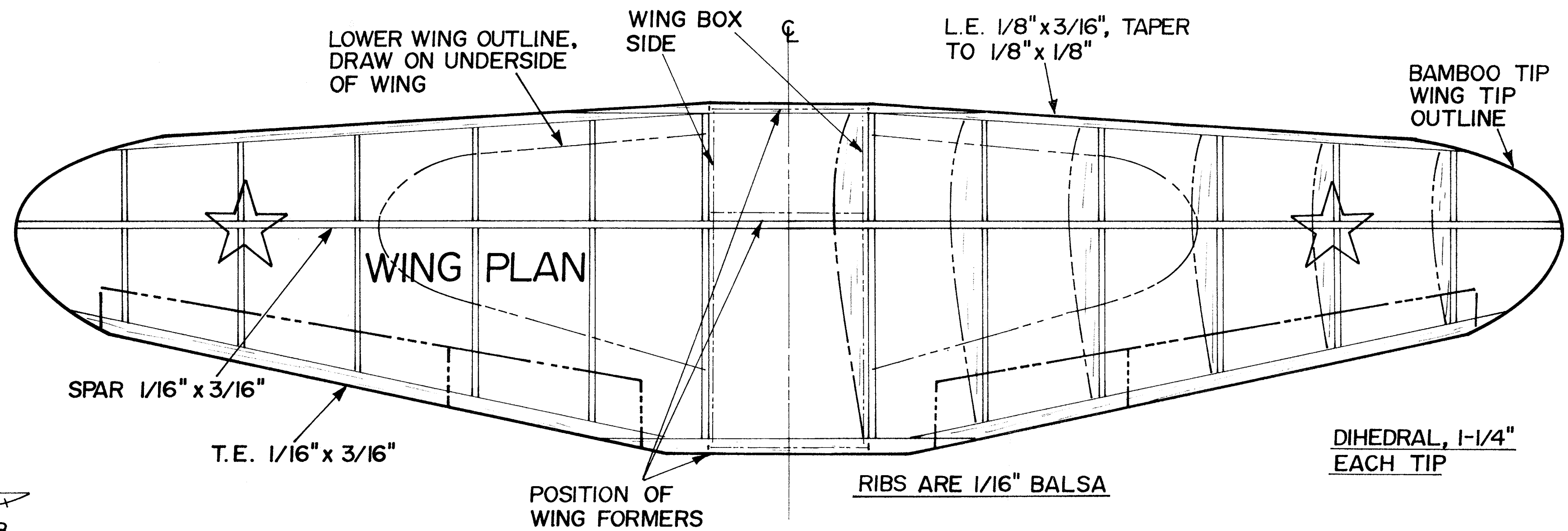


ALL FORMERS ARE 1/16" C-GRAIN BALS. INSET STRINGERS IN FORMERS, SCALLOP FORMERS AFTER.

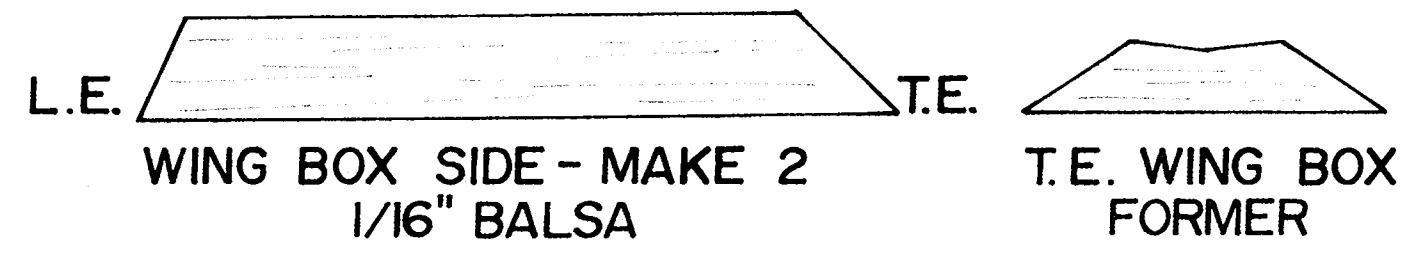
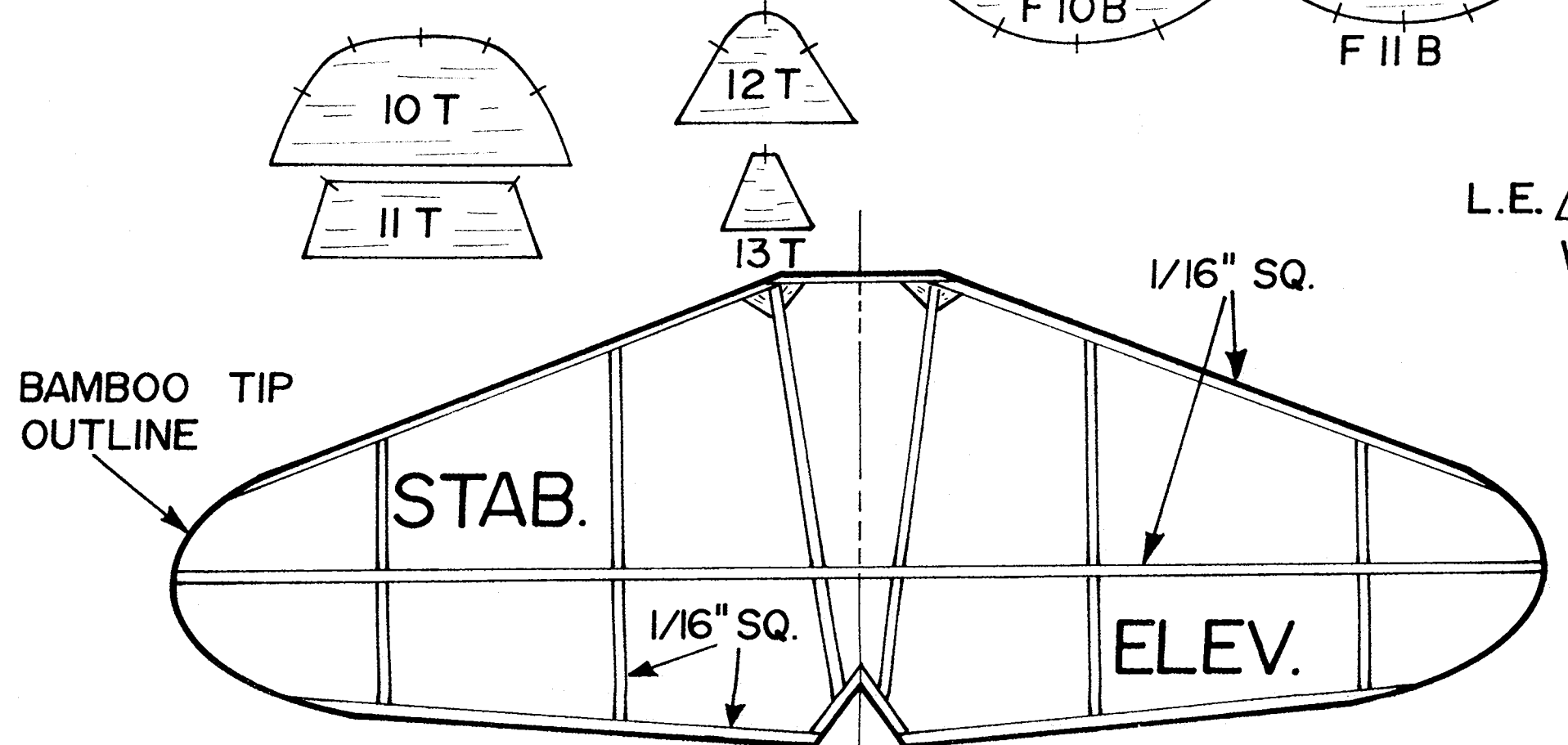


USE ALSO FOR F9T

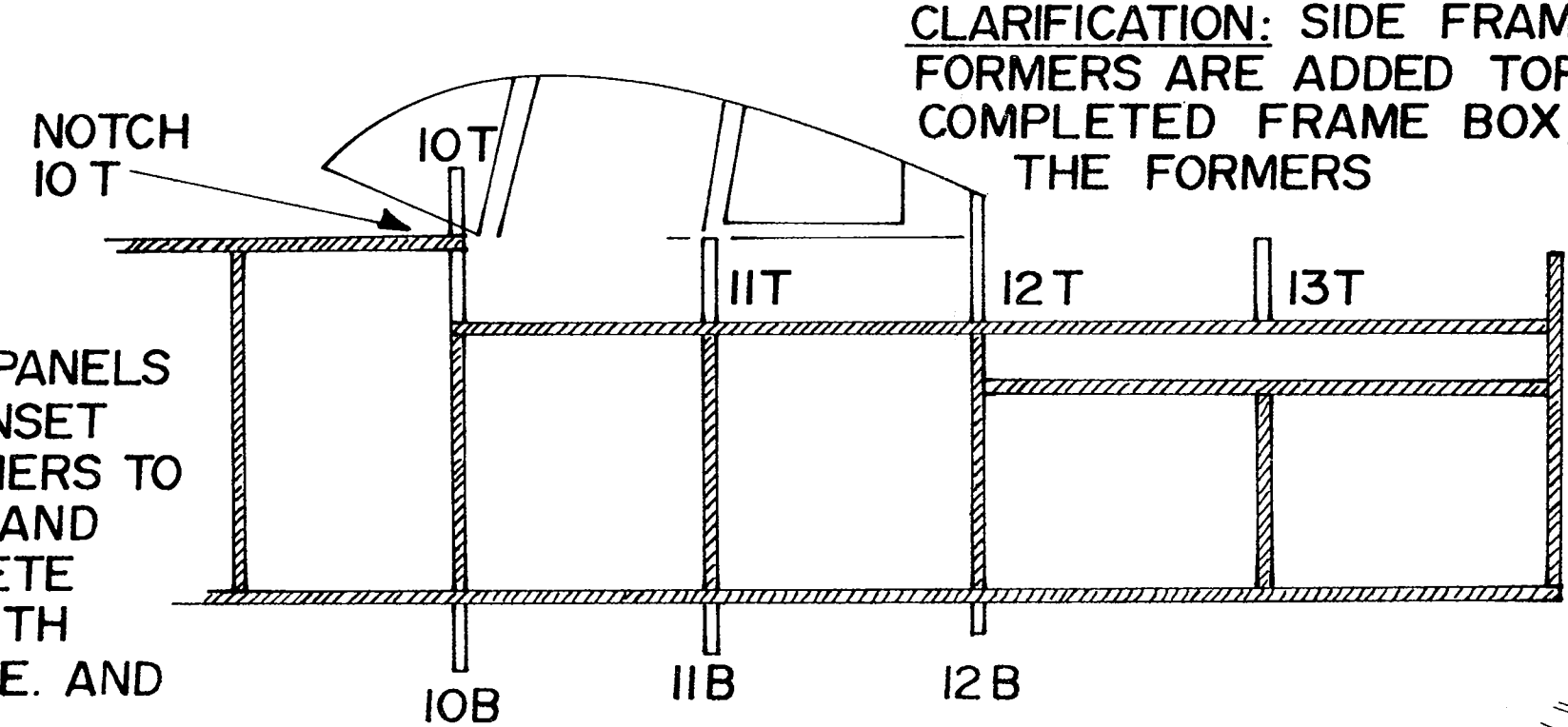
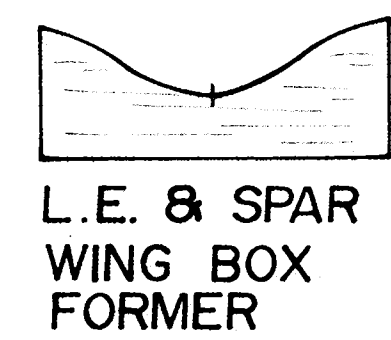


L.E. 1/8" x 3/16", TAPER TO 1/8" x 1/8"

BAMBOO TIP WING TIP OUTLINE



WING BOX: BUILD THE TWO WING PANELS & GLUE IN DIHEDRAL. WHEN DRY, INSET L.E. WING BOX FORMER; GLUE FORMERS TO FRONT OF SPAR, BOTTOM OF T.E. AND GLUE IN SIDE FORMERS TO COMPLETE BOX. THE CORNERS ARE FILLED WITH SCRAP AND ROUNDED. REMOVE L.E. AND SPAR AT FORMERS, ATTACH 1/16" STRINGER.
A STRIP OF 1/8" x 1/16" OVERHANGING INSIDE BOTTOM OF BOX SIDE PREVENTS LATERAL SHIFTING

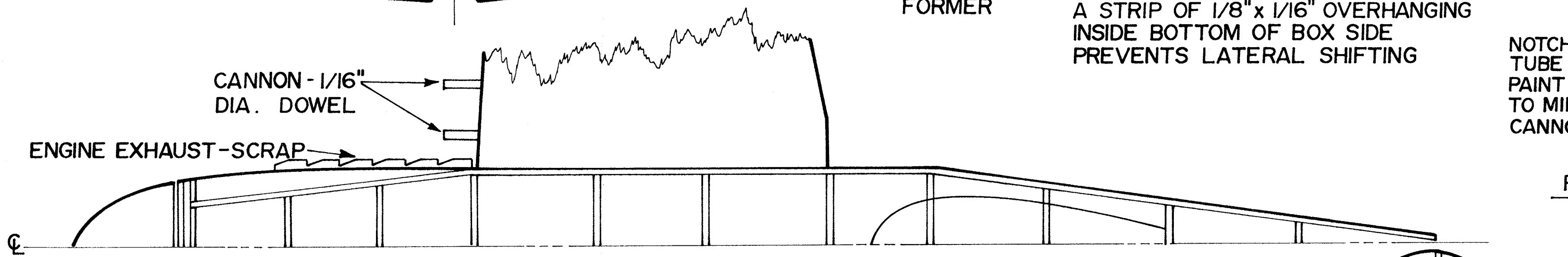
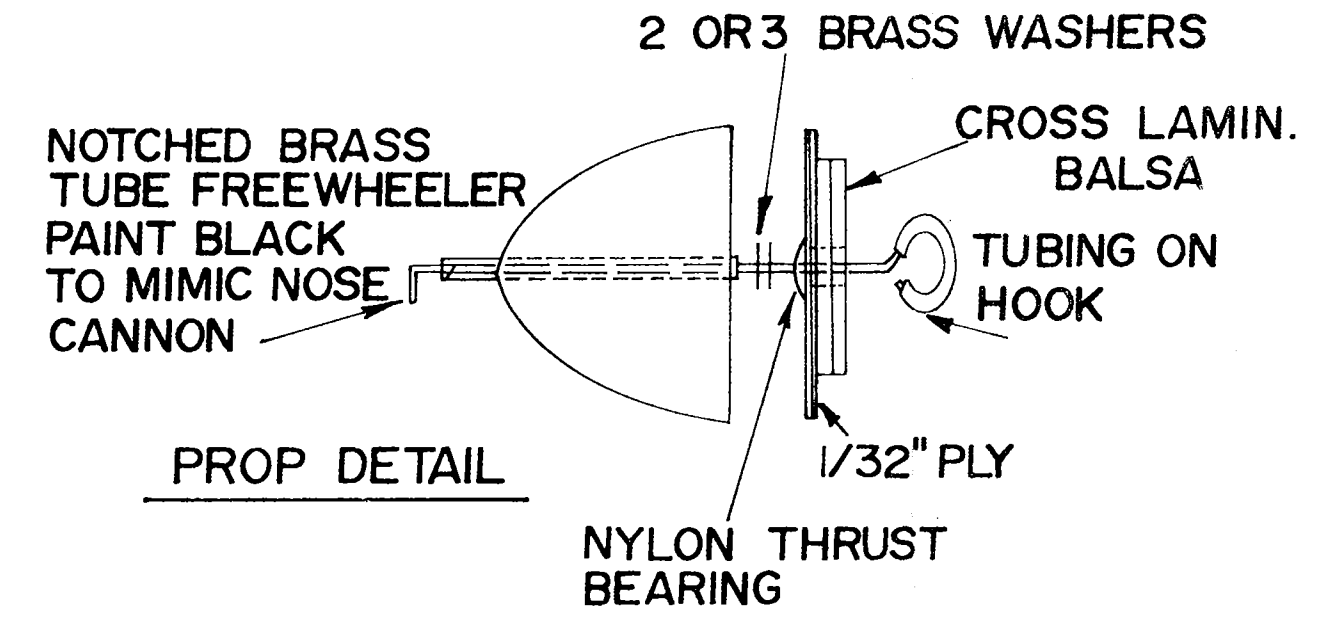


CLARIFICATION: SIDE FRAME SHOWN HATCHED - FORMERS ARE ADDED TOP AND BOTTOM TO THE COMPLETED FRAME BOX, THEN STRINGERS TO THE FORMERS

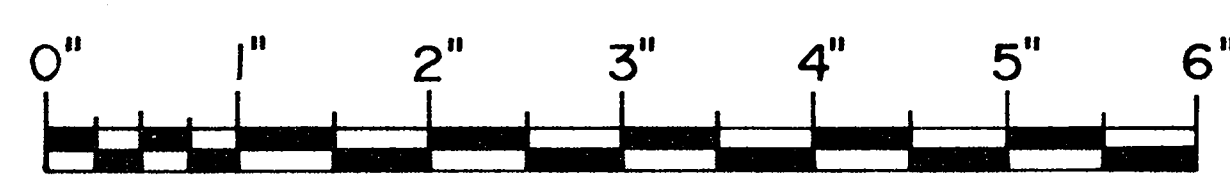
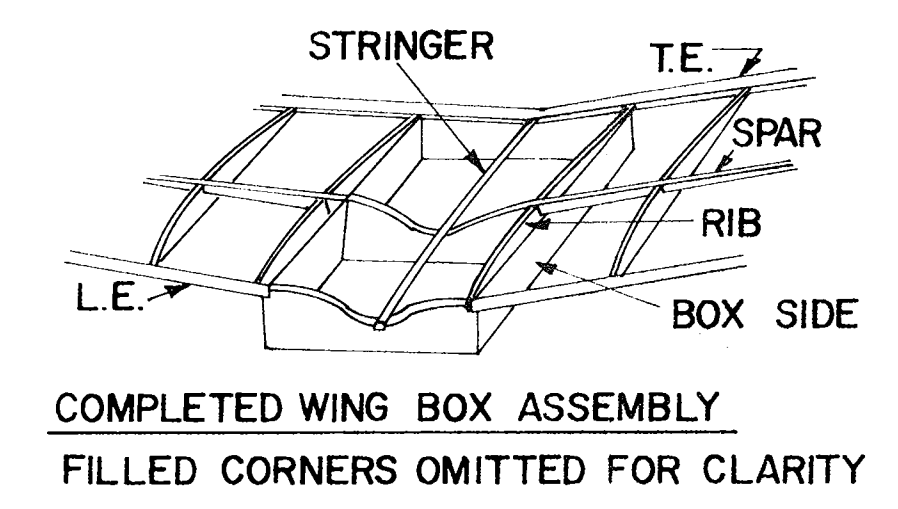
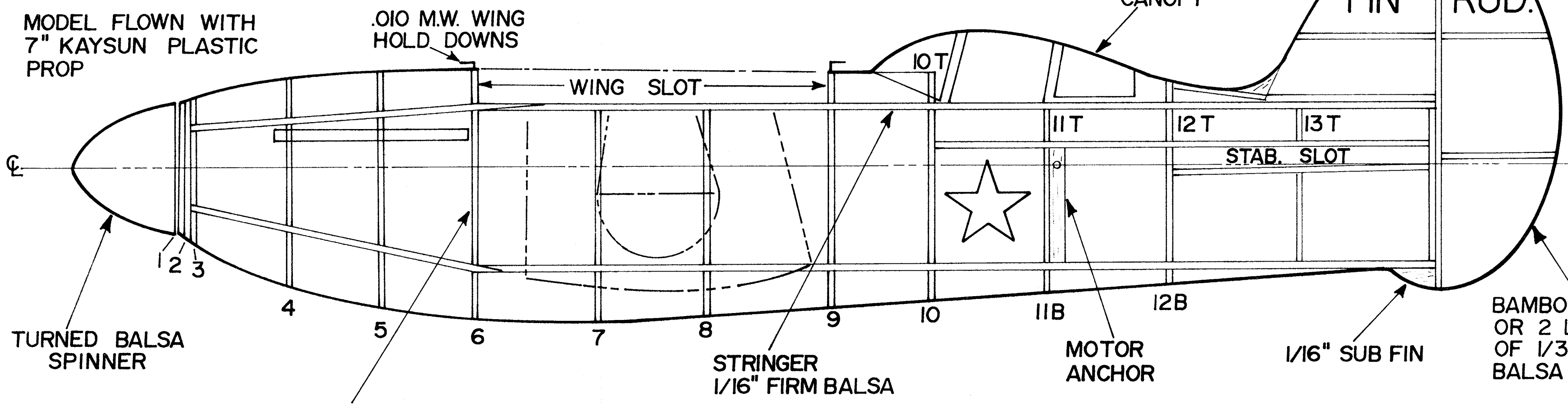
ALL STRINGERS OMITTED IN THIS SKETCH

WING CONSTRUCTION

- GLUE WING HALVES TOGETHER WITH CORRECT DIHEDRAL, GLUE SPAR, L.E. AND T.E. ONLY.
- INSET L.E. 1/16" - THEN BETWEEN INNERMOST RIBS GLUE IN L.E. FORMER - GLUE SPAR FORMER TO FRONT OF SPAR.
- REMOVE EXCESS L.E. AND SPAR IN CURVE OF FORMER
- REAR VIEW - T.E. FORMER GLUED TO BOTTOM OF T.E.
- ADD WING BOX SIDES (WING STRUCTURE NOT SHOWN HERE) FILL IN CORNERS WITH SCRAP AND ROUND OFF. STRINGER ADDED AS SHOWN BY THE DASHED LINE.



PROBABLE COLOR SCHEME: DARK GREEN UPPER, LIGHT BLUE UNDER. RED STARS ON TOP AND BOTTOM OF WINGS, BOTH SIDES OF FUSELAGE



NOTE: STRINGERS OMITTED FOR CLARITY

MODEL AIRPLANE NEWS
NIKITIN-SCHEVCHENKO IS-4
 DESIGNED & DRAWN BY MARK FINEMAN
 TRACING BY JOE DEMARCO
 ALL RIGHTS RESERVED