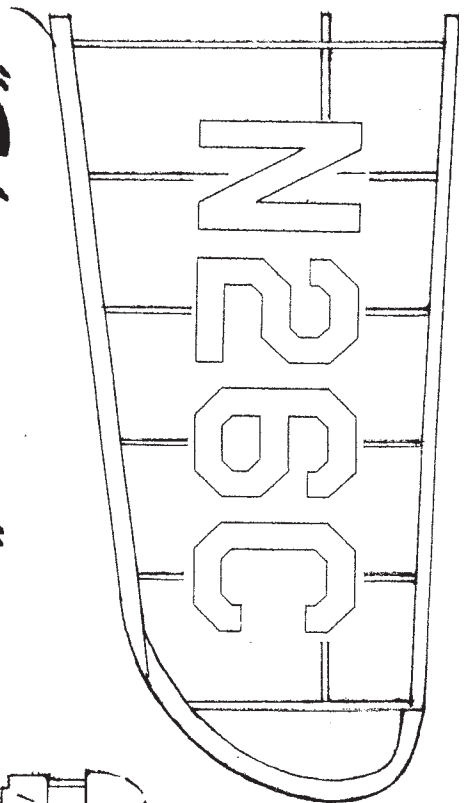
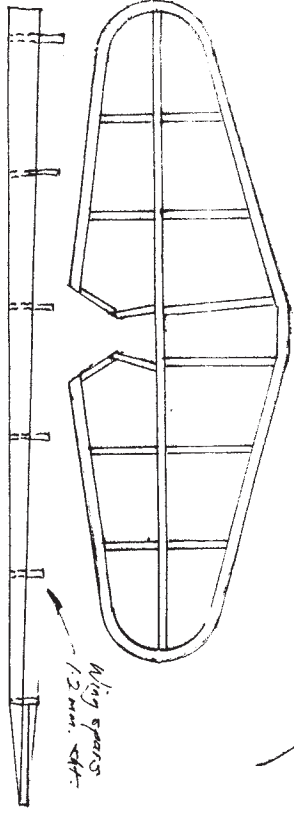
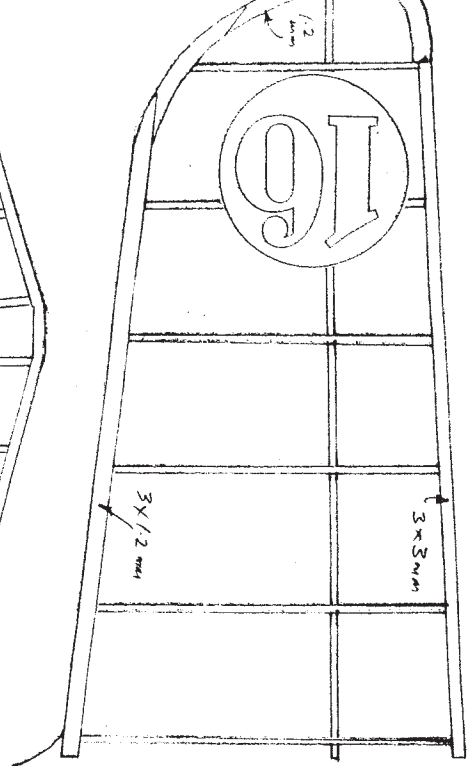
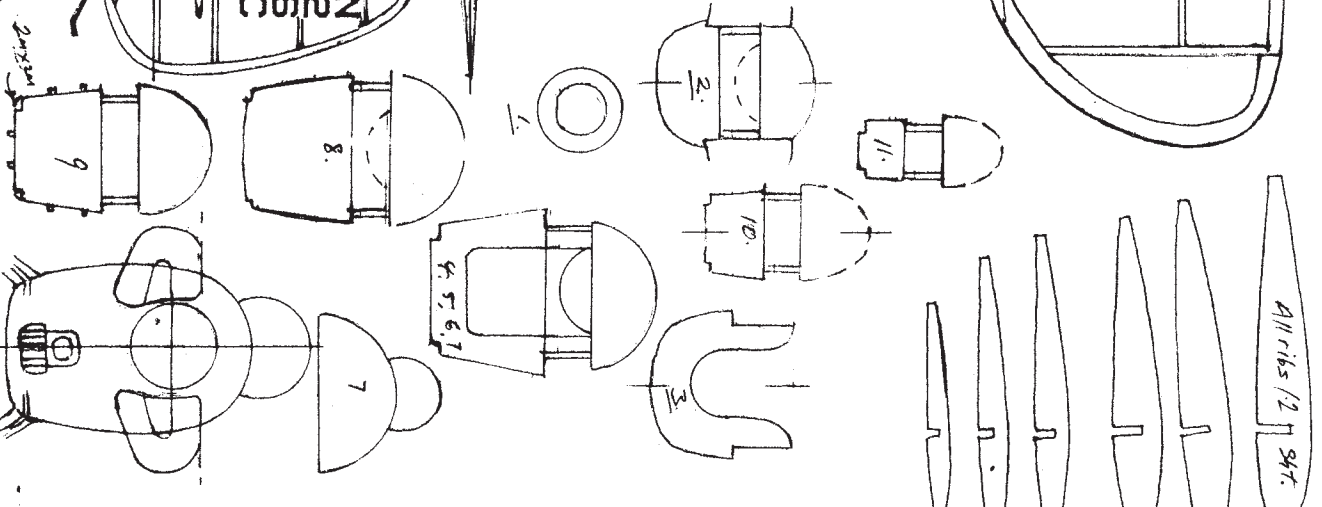
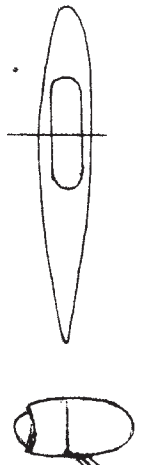
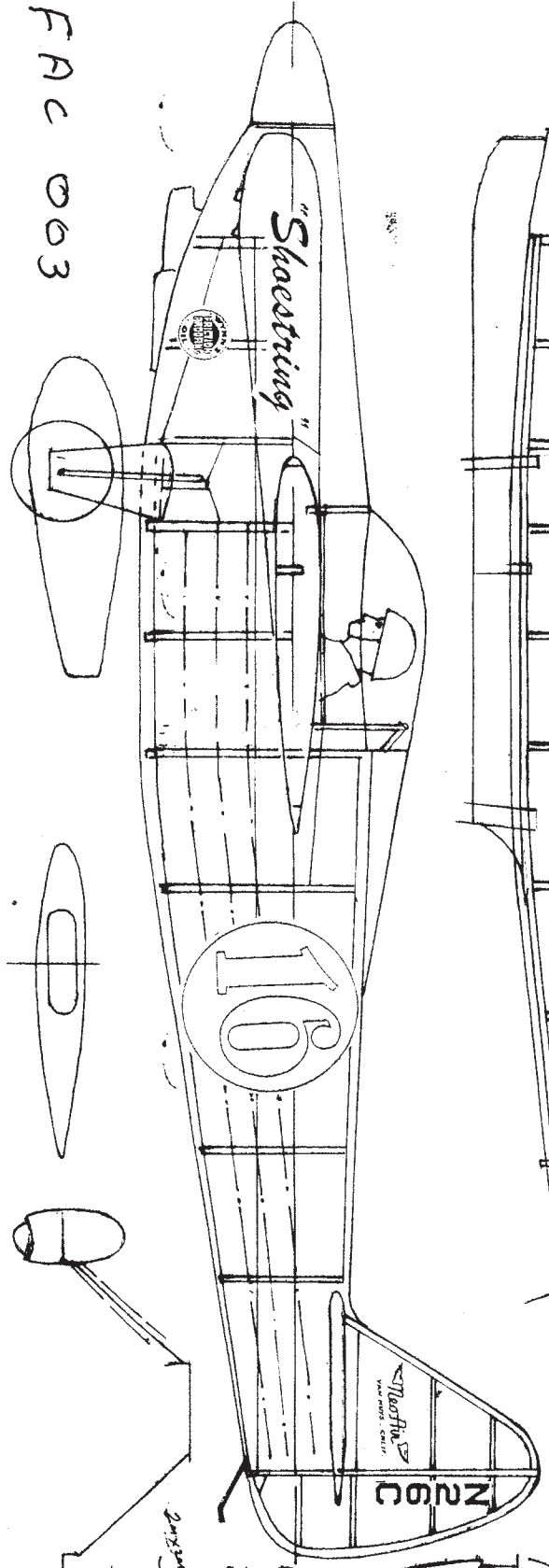


FAC 063



"Shaestring"

Build fuselage over 8mm x 1.2mm crutch. Cut out the wing seat first. Add bottom formers while still on board, then remove and add top and cow! blocks, which can be formers and stringers of foam, or balsa blocks, shaped and hollowed then permanently glued in place. Stringers are 3mm x 1.2mm, sanded to 1.2mm x 1.2mm at rear after fitting. Tail surfaces are from 3mm x 1.2mm strip with tips laminated from 3mm x 1mm. Wings should have 2-3 degrees washout.



Designed from by L. Willis '63

L WILLIS