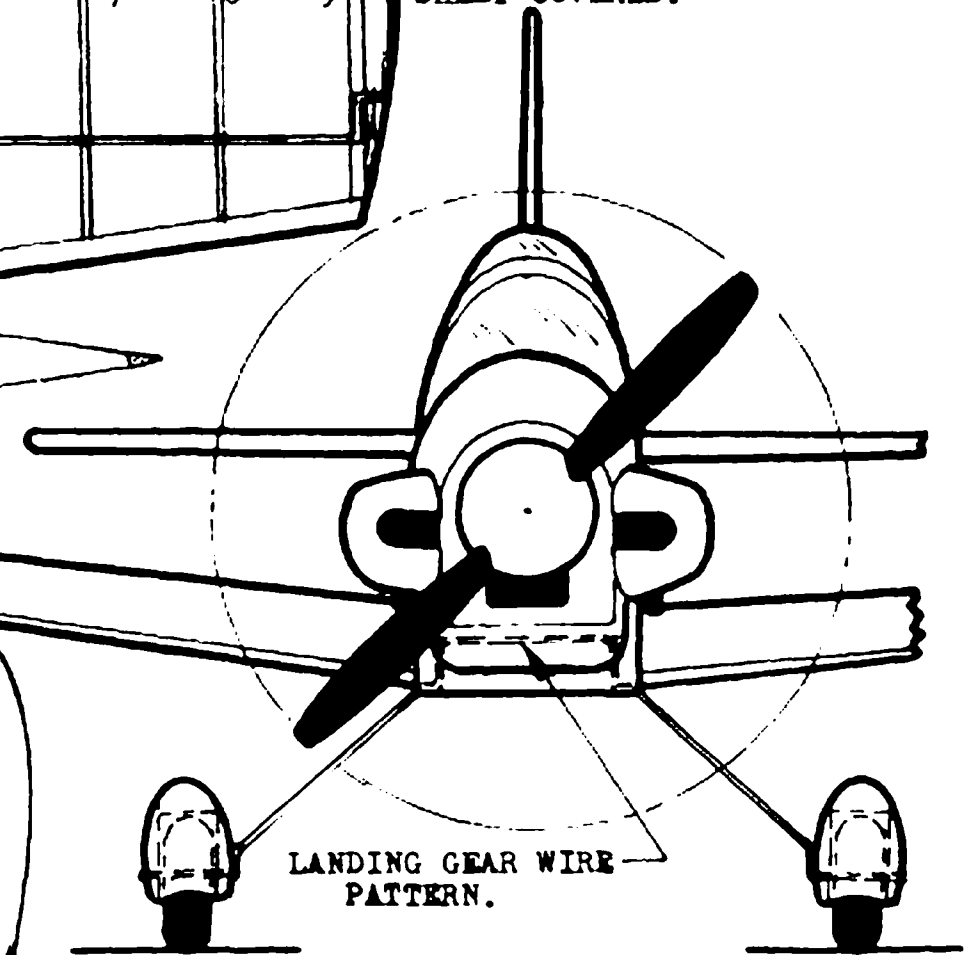
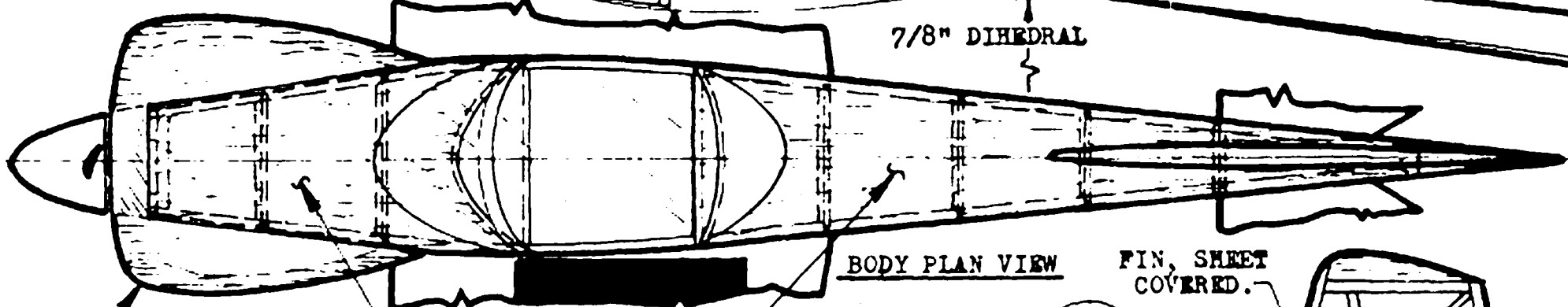
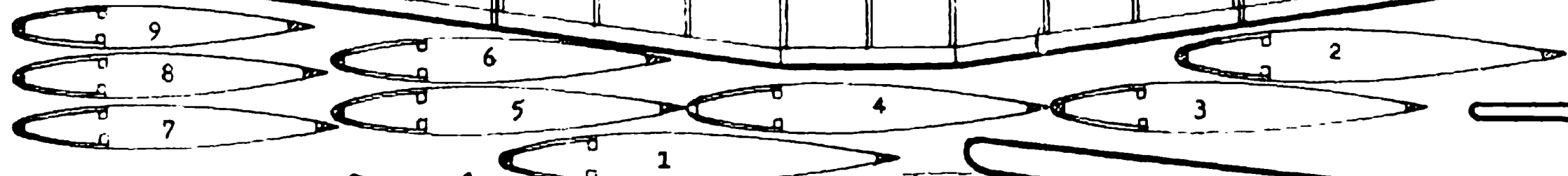


WING TIPS ARE CARVED FROM SOFT BALSA BLOCK. TOP AND BOTTOM FORWARD OR SPARS, SHEET COVERED.

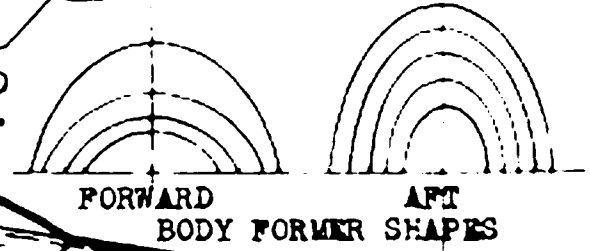


LANDING GEAR WIRE PATTERN.

FRONT VIEW

DETAIL OF FLYING PROPELLER AND NOSE BLOCK.

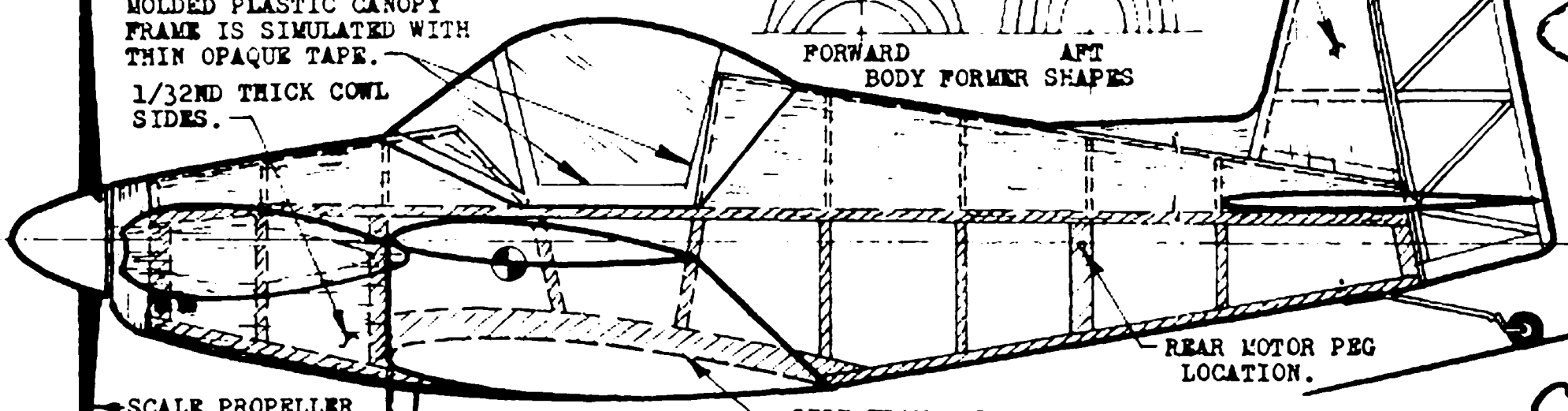
FRONT OF HORIZONTAL TAIL, SHEET COVERED.



FORWARD BODY FORMER SHAPES  
AFT

SOFT BLOCK BALSA COWL CHECKS.  
MOLDED PLASTIC CANOPY FRAME IS SIMULATED WITH THIN OPAQUE TAPE.  
1/32ND THICK COWL SIDES.

TOP OF BODY IS SHEET BALSA COVERED, 1/32ND THICK SHEET BALSA.



SIDE FRAMES SHOWN MACHED FOR CLARITY.

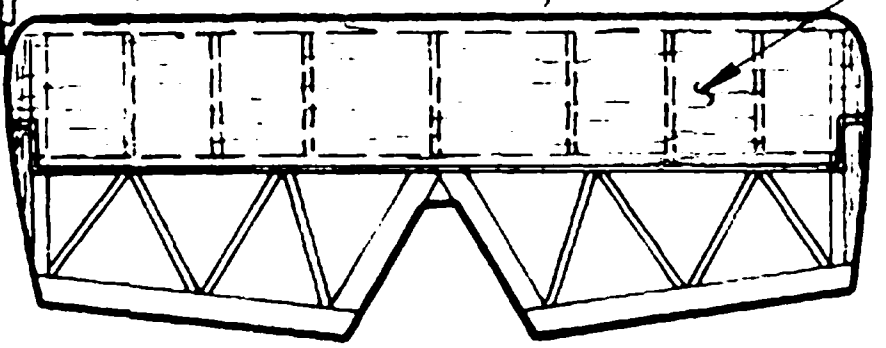
Corby

Starlet CJ-1

UNLESS OTHERWISE NOTED: ALL STRUCTURE IS 1/16 THICK BALSA STICKS BY THE WIDTH SHOWN ON THE PLAN.  
LEADING EDGE COVERING IS 1/64TH THICK SHEET BALSA.

AN AUSTRALIAN PEANUT

by Walt Mooney  
12-17-81



HORIZONTAL TAIL PLAN VIEW.

SCALE PROPELLER AND SPINNER  
BALSA WHEELS AND WHEELPANTS.