

ONE OF A SERIES OF MODEL AEROPLANE PLANS & PUBLICATIONS AVAILABLE FROM W.C. HANNAN, GRAPHICS, P.O. BOX "A" ESCONDIDO, CALIFORNIA, 92025 · U.S.A.

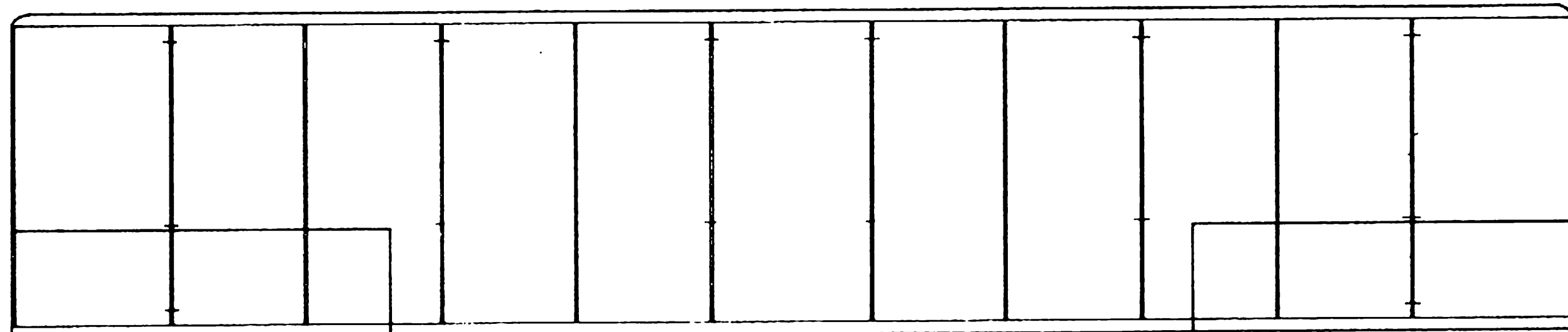
**WRIGHT "L" SPECIFICATIONS**

VINTAGE	1916
POWER PLANT	70 H.P. WRIGHT SIX
WING SPAN	29' 6"
WEIGHT (EMPTY)	850 LBS.
SPEED	25-31 M.P.H.
DURATION	2 HOURS

NOTE: REAL AIRCRAFT FEATURED AXLE THAT WAS SUSPENDED WITH RUBBER SHOCK-CORD.

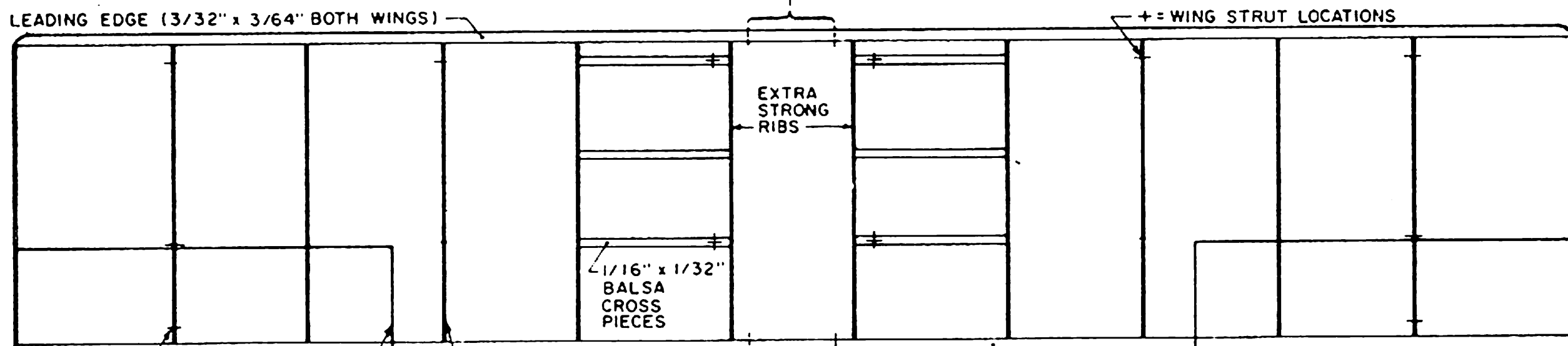
COVER FORWARD PORTION OF SIDES WITH 1/100" SHEET

3/32" x 1/32" HARD Balsa



**UPPER WING**

NOTE: AFTER WINGS ARE CONSTRUCTED AND COVERED, REMOVE COVERING FROM THIS CENTER PANEL, AND CUT LEADING AND TRAILING EDGES AS SHOWN. REMAINING STUBS INSERT INTO FUSELAGE SIDES FOR EXACT ALIGNMENT.



**LOWER WING**

ALL WING RIBS ARE 1/64" THICK SEE SIDE VIEW FOR CONTOUR

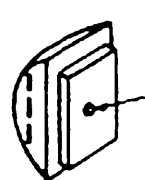
BASIC FUSELAGE SIDE

3/64" SQUARE LONGERONS

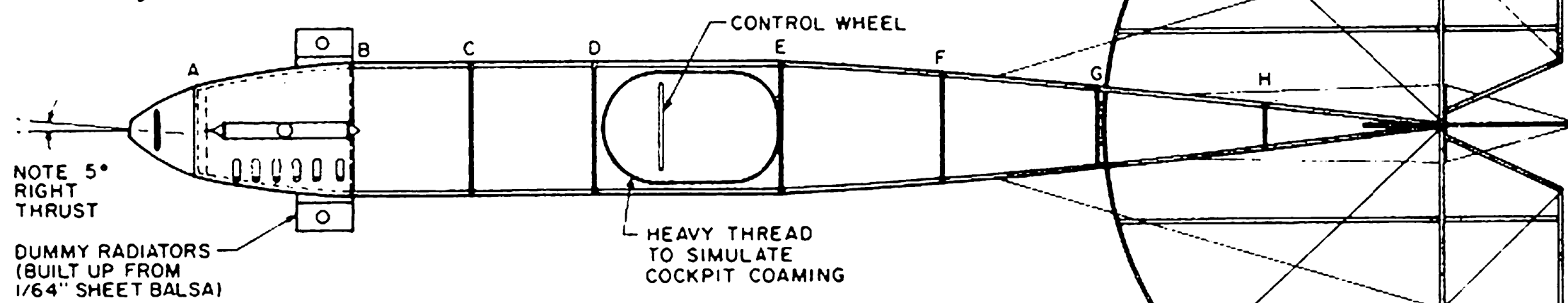
CROSS PIECES 1/32" x 3/64" (ON EDGE)

1/16" SQUARE

SLOT FOR STABILIZER



OFFSET REAR WASHER BEARING FOR RIGHT THRUST



NOTE 5° RIGHT THRUST

1/64" SHEET TOP DECK FORMERS



**FLYING:**

THE "BUILT IN" RIGHT-THRUST WILL CAUSE THE MODEL TO FLY IN SMALL RIGHT CIRCLES.

1. IF MODEL STALLS, ADD DOWN-THRUST.
2. IF MODEL WILL NOT CLIMB, AND BANKS STEEPLY WASH-IN (WARP UP) RIGHT WING TIPS. WHEN PROPERLY ADJUSTED, MODEL SHOULD CLIMB ABOUT 20 FEET AFTER AN R.O.G. START, AND WILL ACHIEVE 40-45 SECONDS' DURATION. NOTE: THE TAIL SKID MAY BE REMOVED FOR BETTER TAKE-OFF ANGLE.

OPTIONAL: FOR OUTDOOR FLYING (CALM WEATHER ONLY !!!)

1. USE STRONGER Balsa WOOD. (8-9 LB. STOCK)
2. CHANGE 1/64" SIZES TO 1/32"
3. COVER WITH JAPANESE TISSUE.

FOR BEST DURATION: (INDOORS)

1. USE SOFT "INDOOR" Balsa. (5-6 LB. STOCK)
2. COVER WITH CONDENSER PAPER.
3. COVER UPPER SURFACE OF WINGS ONLY.

NOTE: PROTOTYPE MODEL (WITHOUT MOTOR) WEIGHED ONLY .0125 OZ. !!

IF INDOOR Balsa IS NOT AVAILABLE IN YOUR AREA, TRY:

MICRO-X  
P.O. BOX 1063  
LORAIN, OHIO, 44055

POWER ONE LOOP OF 1/16" PIRELLI

SCALE REFERENCE: AIRCRAFT MAGAZINE, AUGUST 1916  
A PROOF-OF-SCALE 3-VIEW IS AVAILABLE FOR 35 CENTS POSTPAID

**WRIGHT "L" LIGHT SCOUT PEANUT SCALE MODEL**

DESIGN: FRED WEITZEL  
DRAWN BY W.C. HANNAN  
© 1968 W.C. HANNAN

