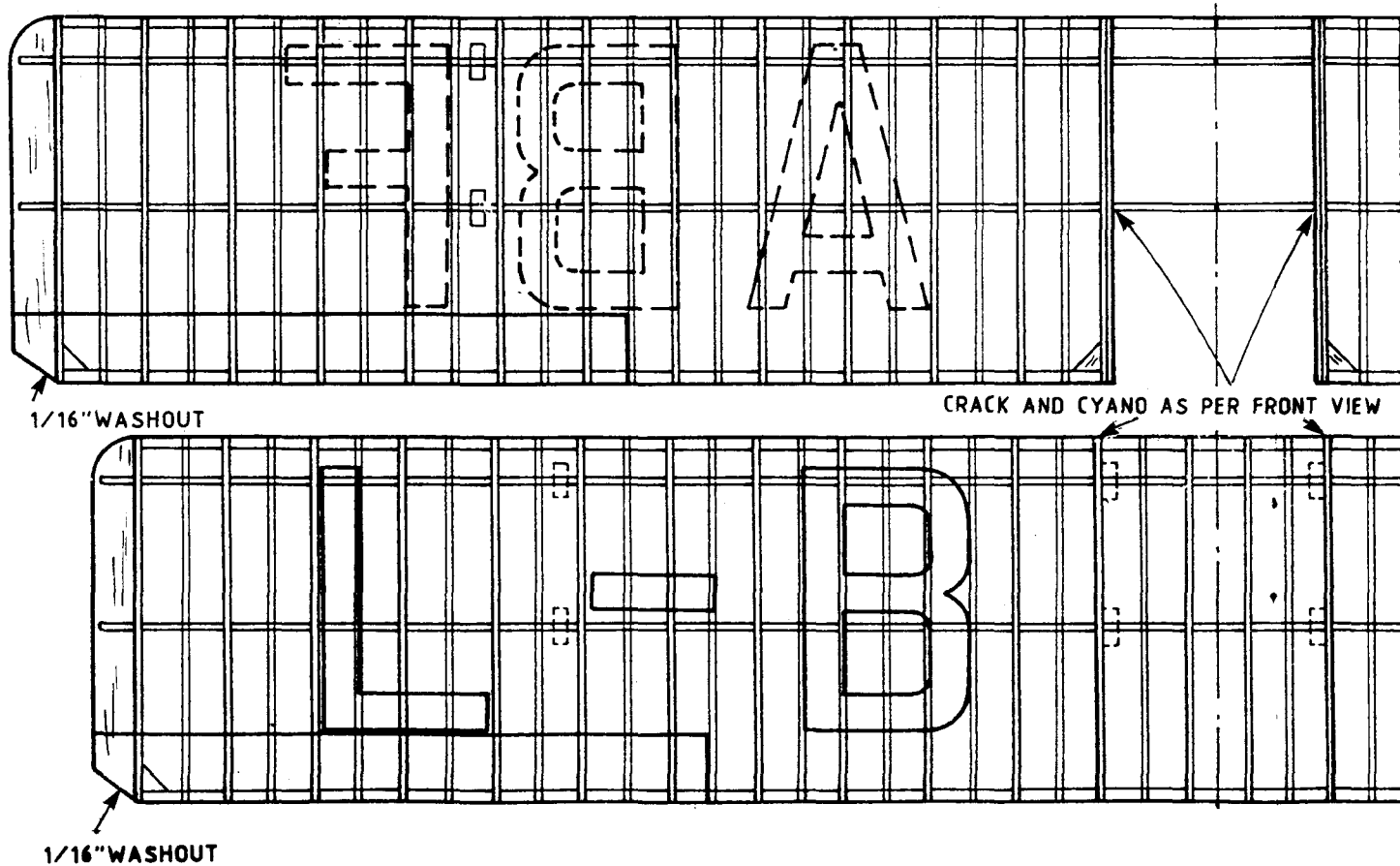
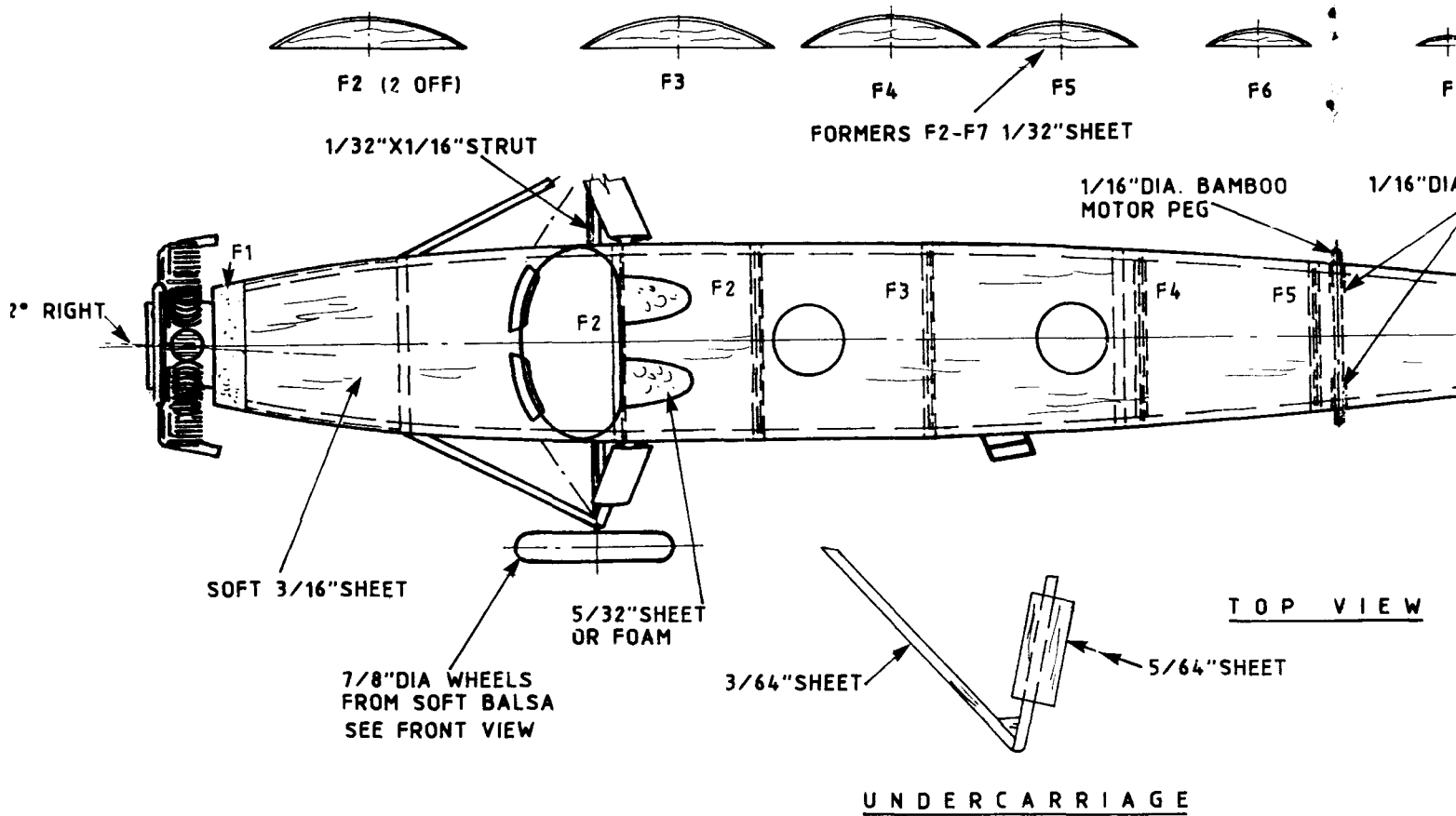


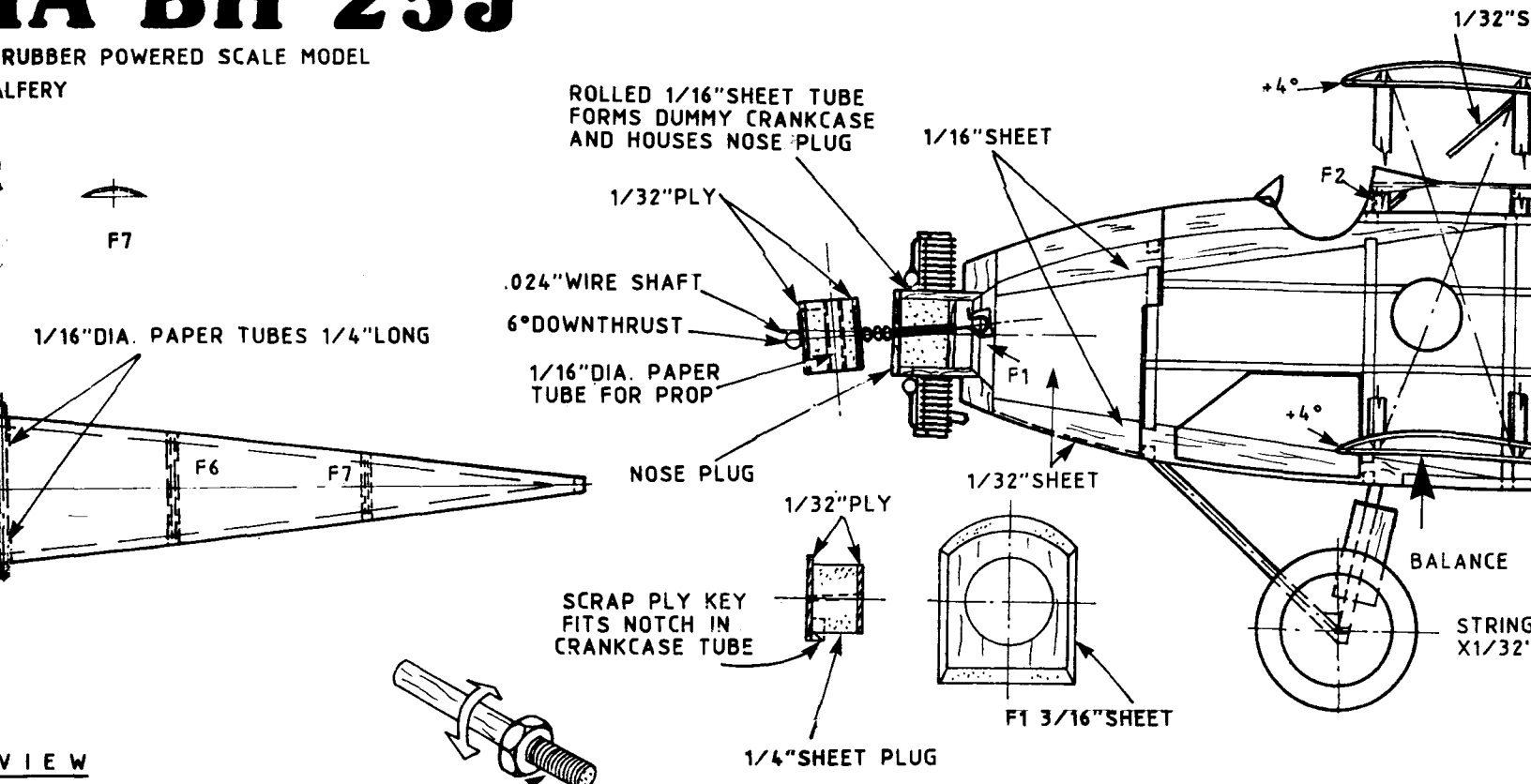
AVIA

A 13" SPAN RUBBER POWER PLANE
BY ANTONIN ALFERY

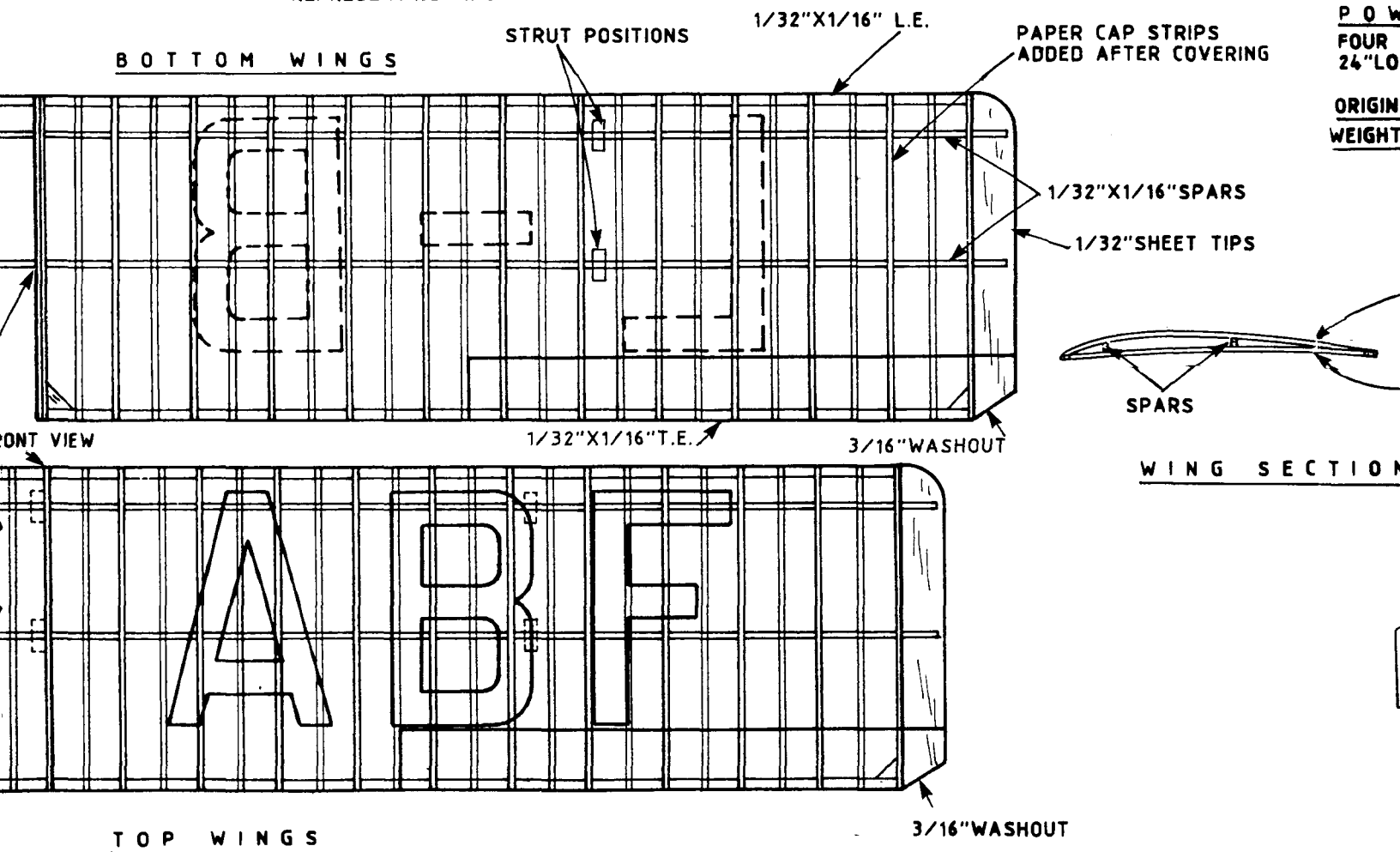


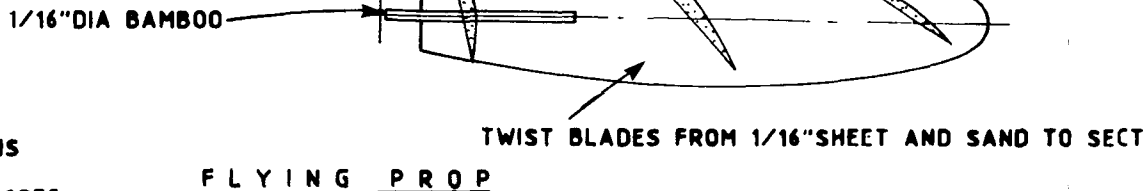
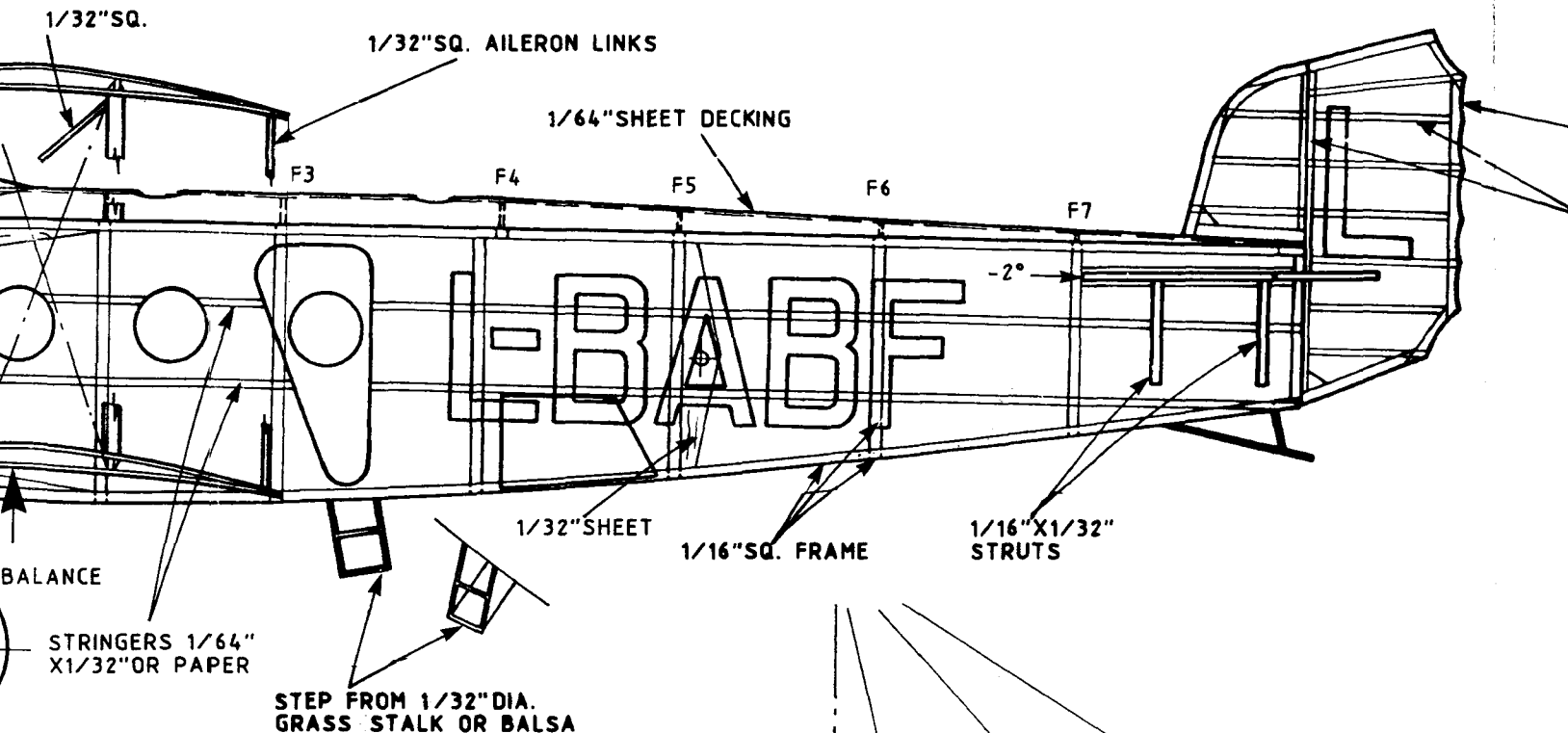
IA BH 25J

RUBBER POWERED SCALE MODEL
 ALFERY



MAKE DUMMY CYLINDERS FROM 3/16" DIA Balsa - SCREW THROUGH SUITABLE NUT TO LEAVE GROOVES REPRESENTING FINS





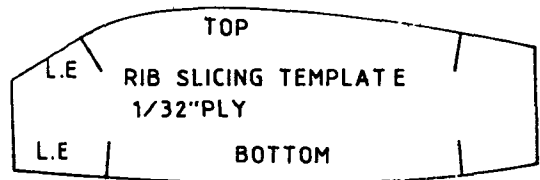
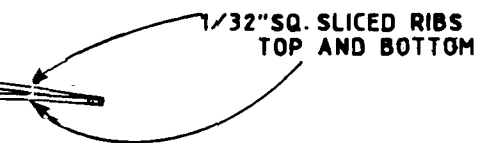
P O W E R:
FOUR STRANDS OF 3/64" RUBBER
24" LONG TAKES ABOUT 1800 TURNS
ORIGINAL MAX. FLIGHT DURATION 90 SEC.
WEIGHT (LESS MOTOR) 9G.

NOTE WASHOUT

INTERPLANE AND CENTRE SECTION STRUTS 1/32" X 1/8"

SCALE REF. - V. NĚMEČEK : ČESKOSLOVENSKA LETADLA 1

ALL WOODS ARE Balsa UNLESS OTHERWISE STATED



UNDERCAMBER - TURN TEMPLATE OVER

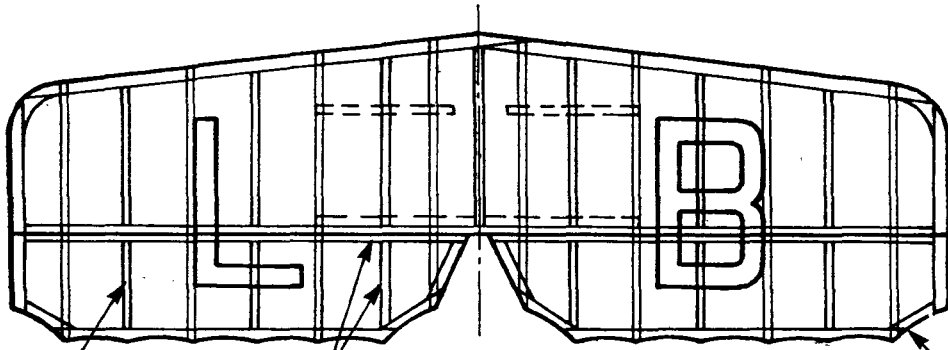
FRONT VIEW

COLOUR SCHEME

WING AND TAIL SURFACES AND STRUTS: SILVER
FUSELAGE : LIGHT BLUE
LETTERING : BLACK
UNDERCARRIAGE : BROWN

1/32" SHEET OUTLINE

1/32" SQ. RIBS
AND SPARS



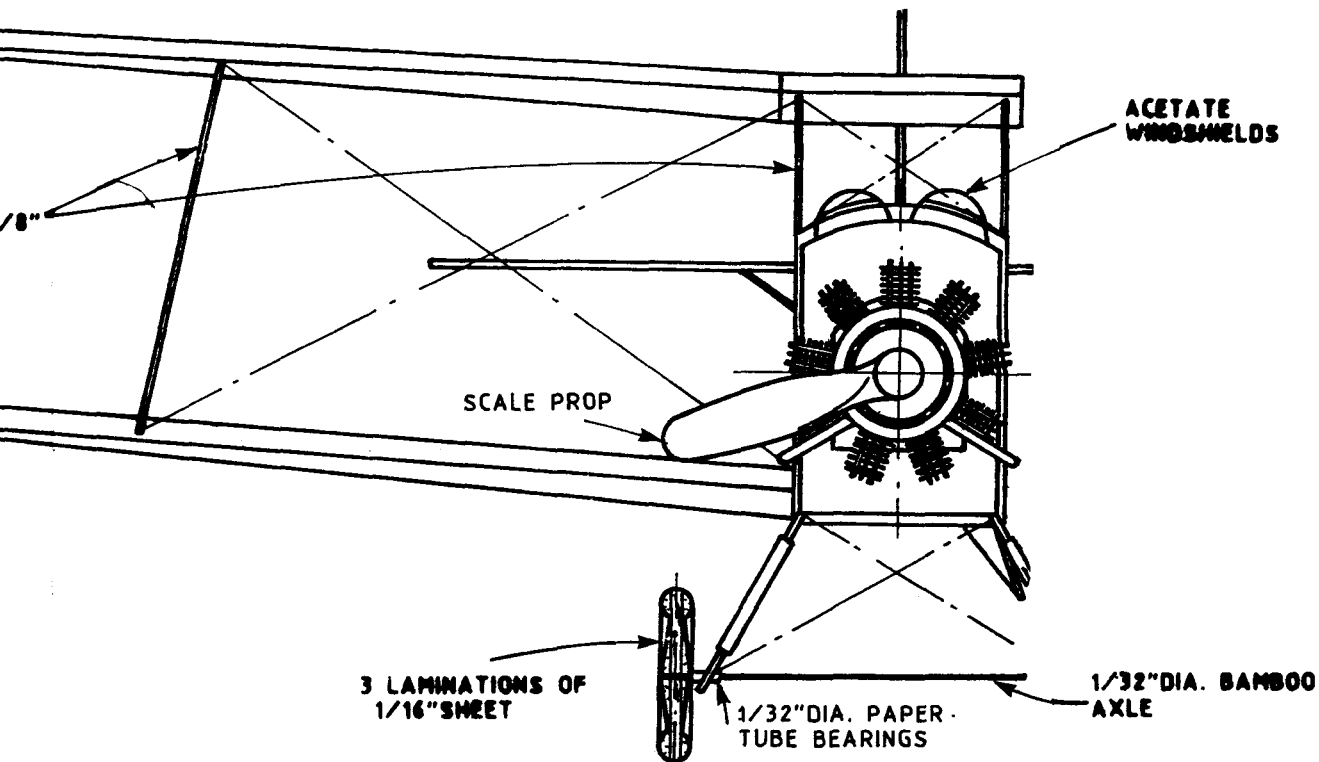
1/32" SQ. RIBS AND SPARS

PAPER CAP STRIPS
ADDED AFTER COVERING

TAIL PLANE

1/32" SHEET OUTLINE

D TO SECTION



ACETATE
WINDSHIELDS

SCALE PROP

3 LAMINATIONS OF
1/16" SHEET

1/32" DIA. PAPER-
TUBE BEARINGS

1/32" DIA. BAMBOO
AXLE