

REFERENCE DATA

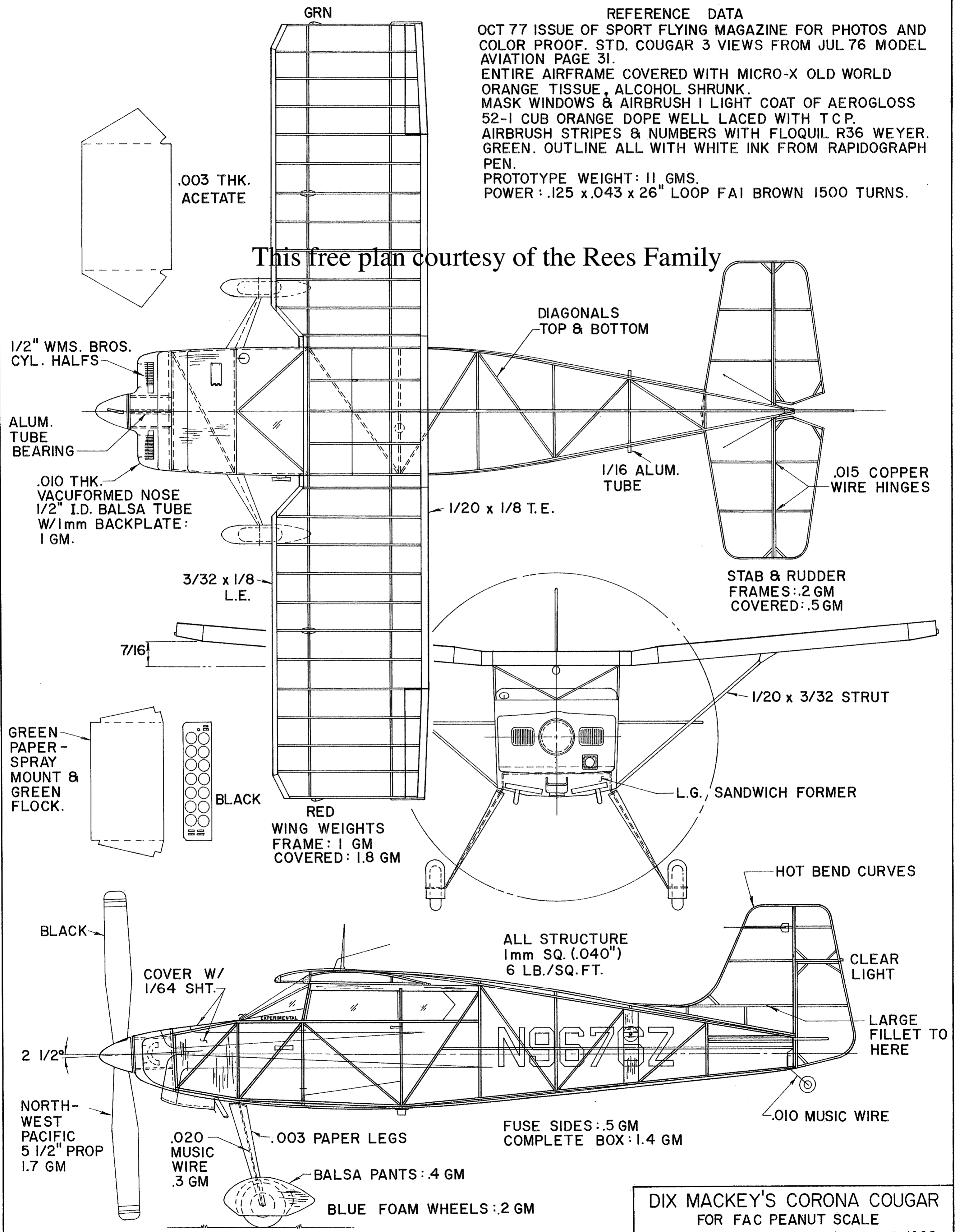
OCT 77 ISSUE OF SPORT FLYING MAGAZINE FOR PHOTOS AND COLOR PROOF. STD. COUGAR 3 VIEWS FROM JUL 76 MODEL AVIATION PAGE 31.

ENTIRE AIRFRAME COVERED WITH MICRO-X OLD WORLD ORANGE TISSUE, ALCOHOL SHRUNK. MASK WINDOWS & AIRBRUSH LIGHT COAT OF AEROGLOSS 52-1 CUB ORANGE DOPE WELL LACED WITH TCP. AIRBRUSH STRIPES & NUMBERS WITH FLOQUIL R36 WEYER. GREEN. OUTLINE ALL WITH WHITE INK FROM RAPIDOGRAPH PEN.

PROTOTYPE WEIGHT: 11 GMS.

POWER: .125 x .043 x 26" LOOP FAI BROWN 1500 TURNS.

This free plan courtesy of the Rees Family



.003 THK. ACETATE

1/2" WMS. BROS. CYL. HALFS

ALUM. TUBE BEARING

.010 THK. VACUFORMED NOSE 1/2" I.D. Balsa TUBE W/1mm BACKPLATE: 1 GM.

3/32 x 1/8 L.E.

7/16

GREEN PAPER - SPRAY MOUNT & GREEN FLOCK.

BLACK

RED WING WEIGHTS FRAME: 1 GM COVERED: 1.8 GM

BLACK

COVER W/ 1/64 SHT.

2 1/2°

NORTH-WEST PACIFIC 5 1/2" PROP 1.7 GM

.020 MUSIC WIRE .3 GM

.003 PAPER LEGS

BALSA PANTS: .4 GM

BLUE FOAM WHEELS: .2 GM

DIAGONALS TOP & BOTTOM

1/16 ALUM. TUBE

1/20 x 1/8 T.E.

.015 COPPER WIRE HINGES

STAB & RUDDER FRAMES: .2 GM COVERED: .5 GM

1/20 x 3/32 STRUT

L.G. SANDWICH FORMER

HOT BEND CURVES

ALL STRUCTURE 1mm SQ. (.040") 6 LB./SQ.FT.

CLEAR LIGHT

LARGE FILLET TO HERE

.010 MUSIC WIRE

FUSE SIDES: .5 GM COMPLETE BOX: 1.4 GM

DIX MACKEY'S CORONA COUGAR FOR FAC PEANUT SCALE BY WALT EGGERT AND DAVE REES 1992