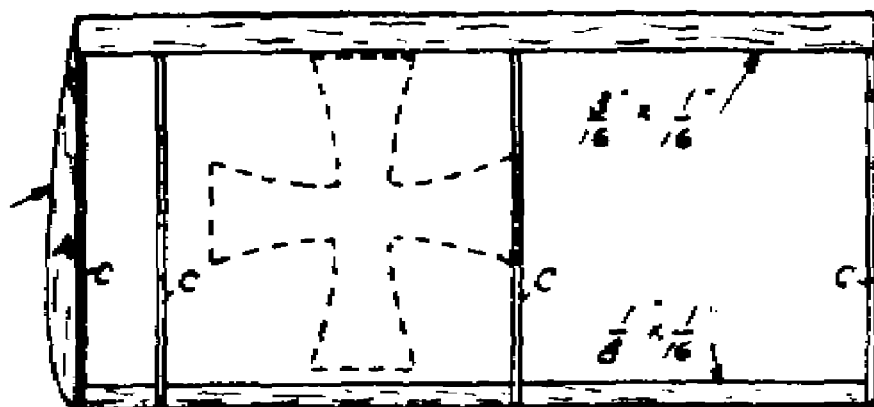
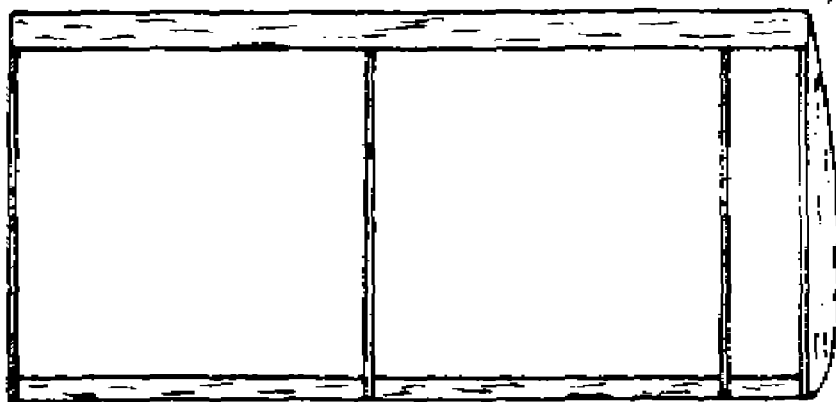
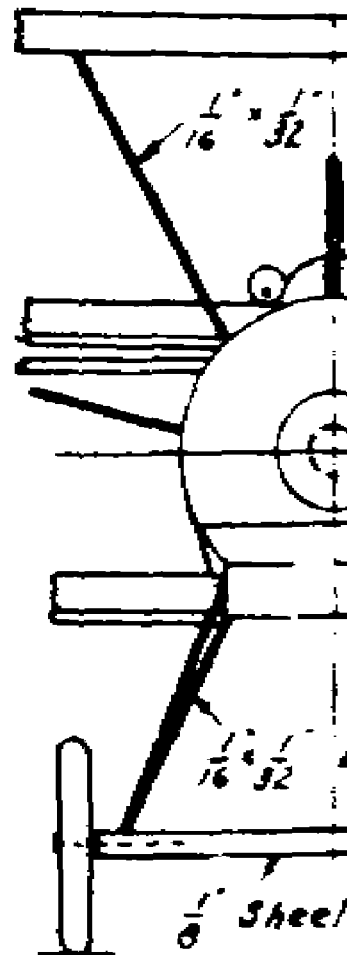


Center Wing

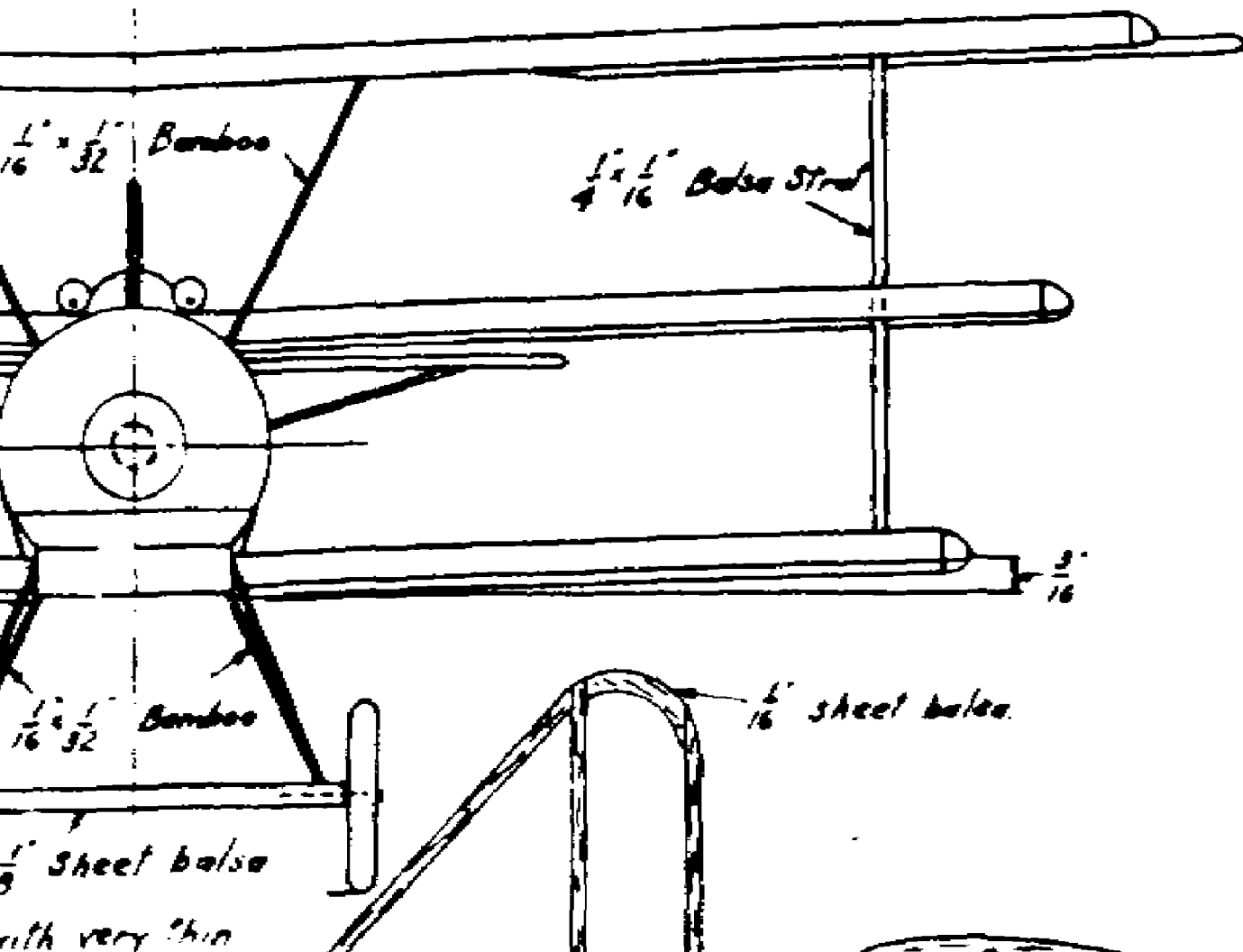
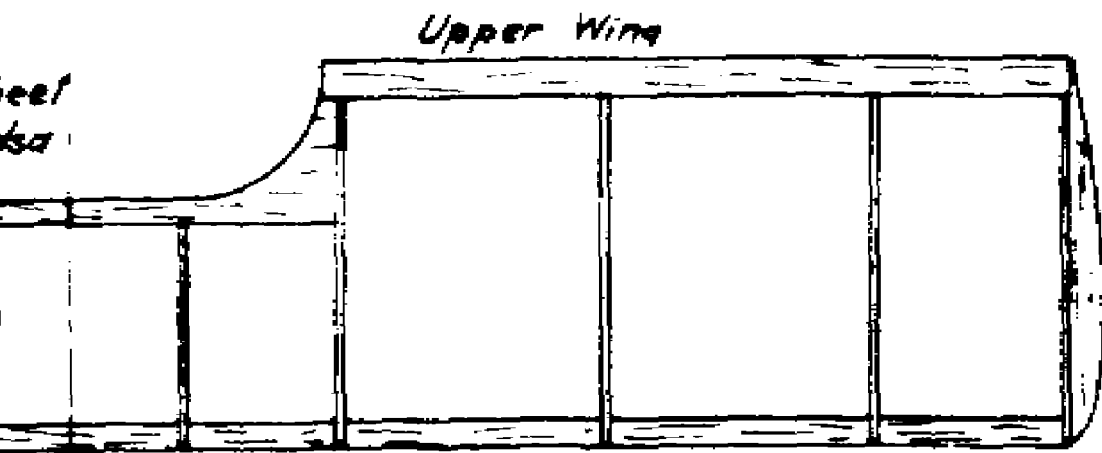
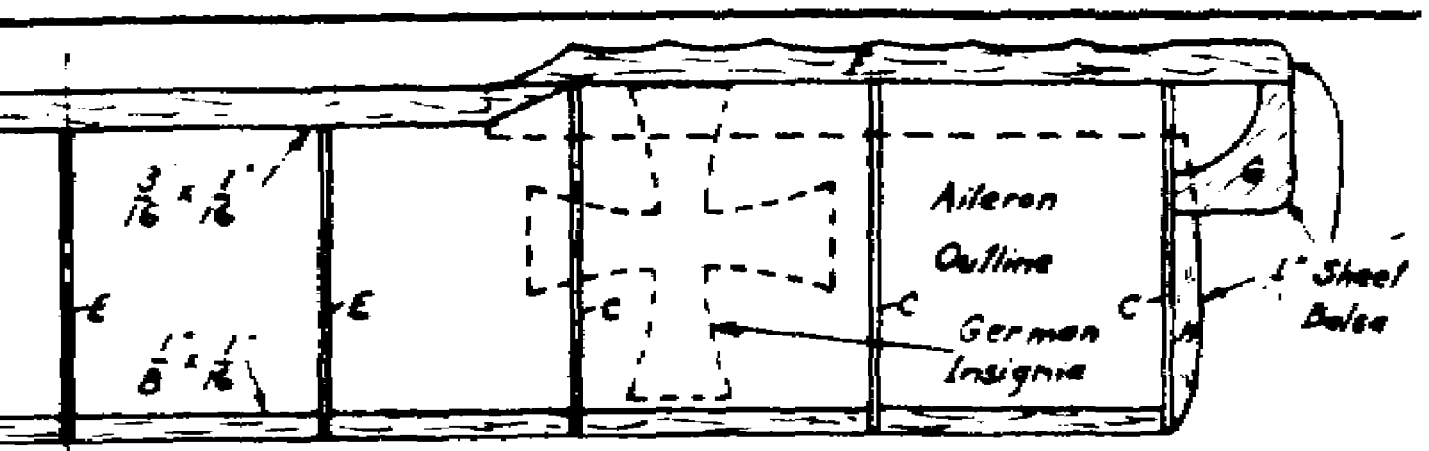


Lower Wing



Form cockpit with very





Lower Wing

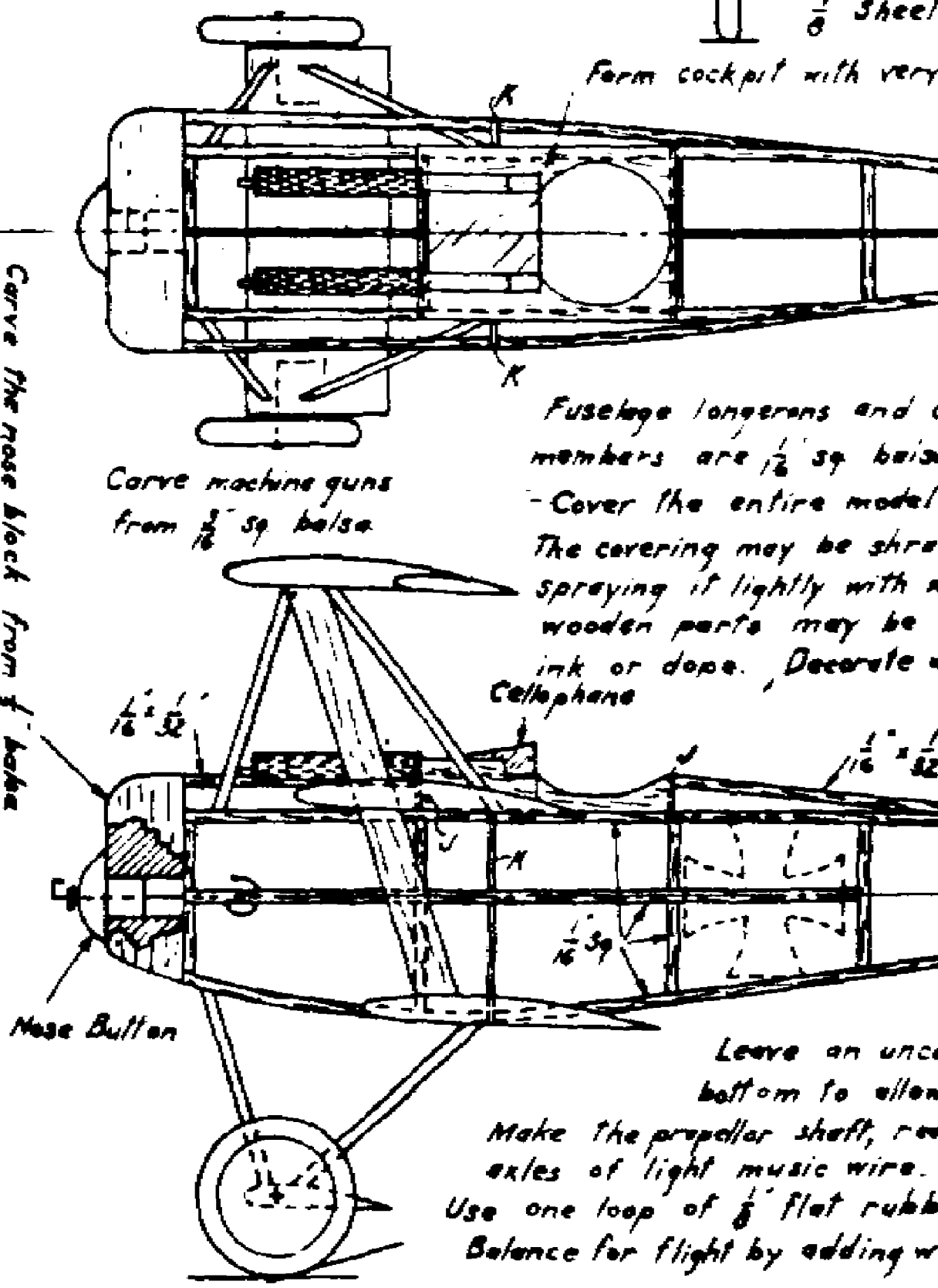
$\frac{1}{8}$ " Sheet

Form cockpit with very

Carve the nose block from $\frac{1}{2}$ " balsa

Carve machine guns from $\frac{3}{16}$ " sq balsa

Fuselage longerons and members are $\frac{1}{16}$ " sq balsa
- Cover the entire model
The covering may be shrunk
spraying it lightly with a
wooden parts may be
ink or dope. Decorate
Cellophane



Nose Button

$\frac{1}{16}$ " sq

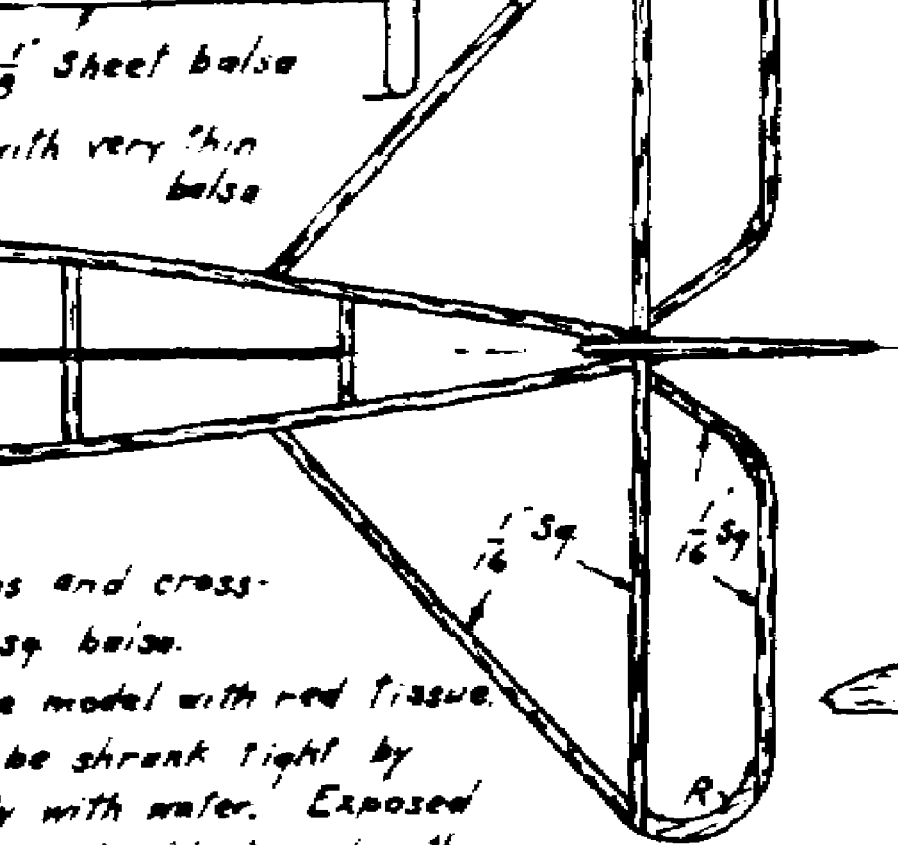
$\frac{1}{16}$ " sq

$\frac{1}{16}$ " sq

Leave an uncut
bottom to allow

Make the propeller shaft, rear
axles of light music wire.

Use one loop of $\frac{1}{8}$ " flat rubber
Balance for flight by adding w



$\frac{1}{16}$ " sheet balsa
with very thin
balsa

and cross-
sq balsa.

the model with red tissue.

be shrunk tight by

with water. Exposed

may be blackened with

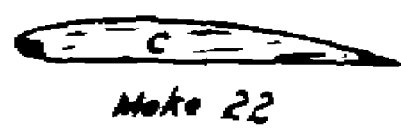
acacate with Mallase crosses

$\frac{1}{16} \times \frac{1}{32}$



an uncovered section on the
to allow access to the motor hook
thrust, rear hook, and wheel
ic wire.

rubber for motor power
adding weight to nose or tail.



Make 22



Make 3



Make 2



Make 2 of each

Cut these wing ribs
and fuselage formers
from $\frac{1}{16}$ " sheet balsa

Use a propellor of
 $4\frac{1}{2}$ " dia. It may be
made from a machine
cut blank or a balsa

block $4\frac{1}{2} \times 8 \times \frac{1}{2}$ JM

<p>FOKKER TRIPLANE GERMAM WARTIME FIGHTER A Flying Model of 12" Span</p>
<p>Published by DALLAIRE MODEL AIRCRAFT CO. Detroit, Mich All Rights Reserved 1935</p>